

Parts Catalogue of Wheeled Tractors

TB Series 40-80hp



WEIFANG SINOVOL MACHINERY CO.,LTD
NO.222,SIPING ROAD,WEIFANG,261000,CHINA

CONTENTS

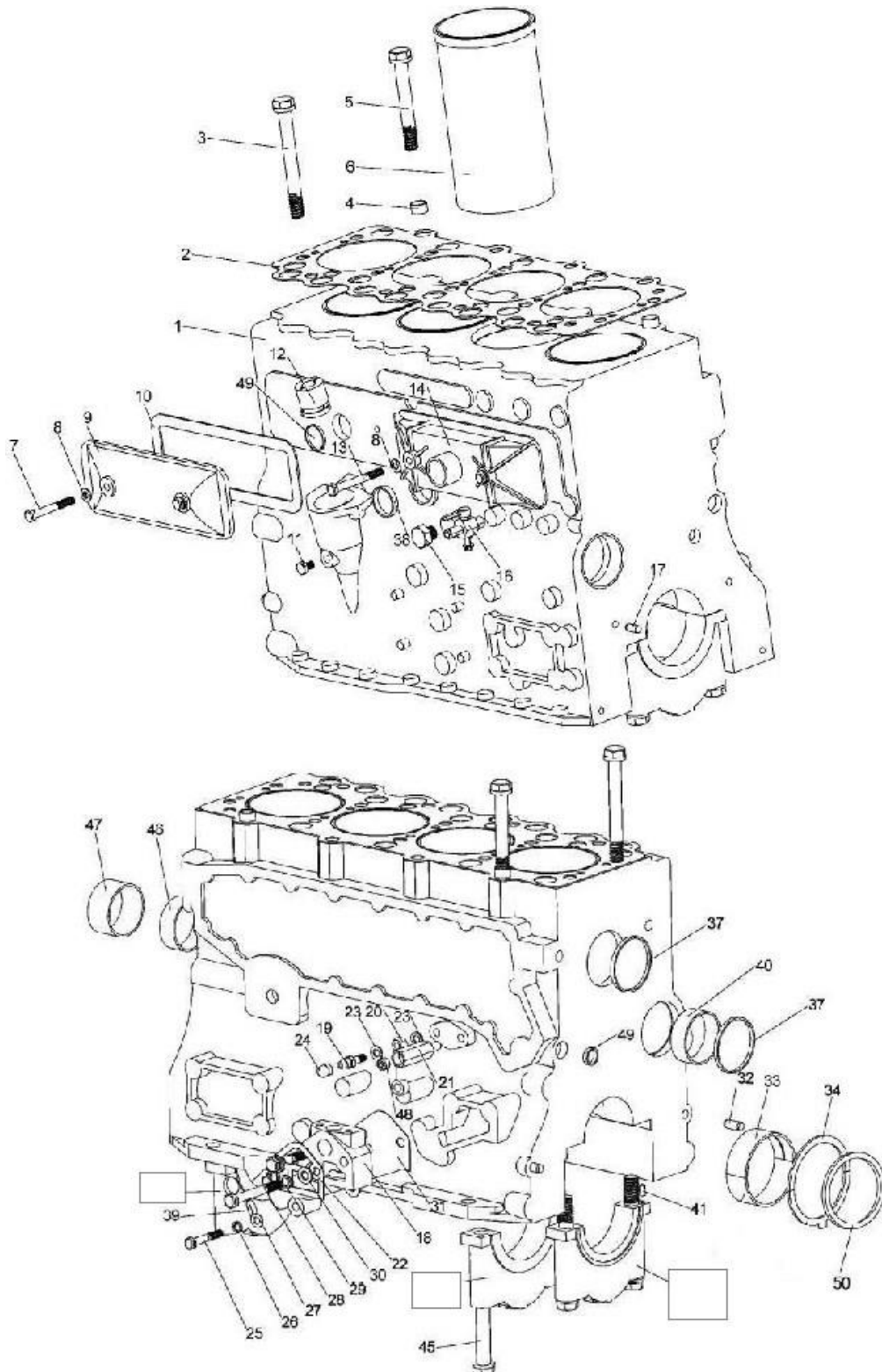
◆	A
	4K41T60-4C ENGINE ASSY	1
◆	T
	S0411008000K AIR FILTER SYSTEM ASSEMBLY	26
◆	T
	S0413109000K COOLING SYSTEM ASSEMBLY.....	28
◆	T
	S04132010000 RADIATOR BACKING BOARD INSTALLATION ASSEMBLY.....	30
◆	T
	S04201010000 HAND THROTTLE CONTROL ASSEMBLY	32
◆	T
	S04202010000 FOOT THROTTLE CONTROL ASSEMBLY	34
◆	T
	S04203010000 PULL WIRE ASSEMBLY.....	36
◆	T
	B550. 211B CLUTCH ASSEMBLY	38
◆	T
	S0421206000K CLUTCH CONTROL ASSEMBLY.....	42
◆	T
	S0422003000K EXHAUST SYSTEM ASSEMBLY.....	45
◆	T
	C02311210000 FRONT DRIVING AXLE ASSEMBLY	47
◆	T
	B554. 312 FRONT BRACKET ASSEMBLY.....	62
◆	T
	S0432005000K FRONT DRIVING WHEEL ASSEMBLY	64
◆	T
	S0434005000K REAR DRIVING WHEEL ASSEMBLY	66
◆	F
	T300. 35A. 001 TOWING MECHANISM ASSEMBLY.....	68
◆	T
	B604. 371 GEARBOX HOUSING ASSEMBLY.....	70
◆	T
	B604. 372T MAIN GEARSHIFT ASSEMBLY.....	72
◆	T
	B604. 373T AUXILIARY GEARSHIFT ASSEMBLY.....	76
◆	T

S04374010000 GEARBOX CONTROL MECHANISM ASSEMBLY	79
◆	T
B604. 375B BREATH ASSEMBLY	87
◆	T
B554. 381 SHUTTLE SHIFT ASSEMBLY.	89
◆	T
B554. 382 REAR AXLE CENTRAL TRANSMISSION ASSEMBLY.	91
◆	T
S04383010000 DIFFERENTIAL LOCK CONTROL MECHANISM ASSEMBLY.	96
◆	T
B604. 384A REAR AXLE HOUSING ASSEMBLY	98
◆	T
S04385010000 SHUTTLE SHIFT CONTROL MECHANISM	100
◆	T
B550. 391 LEFT FINAL TRANSMISSION ASSEMBLY	102
◆	T
B550. 392 RIGHT FINAL TRANSMISSION ASSEMBLY	105
◆	T
C04401080000 REDIRECTOR OR STEERING COLUMN ASSEMBLY.	108
◆	T
S04402070000K FULLY HYDRAULIC STEERING ASSEMBLY	110
◆	T
B550. 411A PTO GEAR ASSEMBLY.	115
◆	T
B550. 412A PTO SHAFT ASSEMBLY.	118
◆	T
S04413010000 PTO CONTROL ASSEMBLY.	120
◆	T
B554. 421D TRANSFER CASE HOUSING ASSEMBLY	123
◆	T
B554. 422 TRANSFER CASE TRANSMISSION ASSEMBLY	126
◆	T
S04423010000 TRANSFER CASE CONTROL ASSEMBLY	129

◆	T
B704. 431 LEFT BRAKE ASSEMBLY	131
◆	T
B704. 432 RIGHT BRAKE ASSEMBLY	133
◆	T
S04433010000 BRAKE SYSTEM CONTROL ASSEMBLY	135
◆	T
C02440080000K SEAT INSTALLATION ASSEMBLY	142
◆	T
S04451040000K DRIVER' S CAB ASSEMBLY	144
◆	T
S04453030000K UPHOLSTERY ASSEMBLY	164
◆	T
S04455010000 BACK REAR MUD GUARD DECORATION PART	168
◆	T
B1S456010000K DASHBOARD ASSEMBLY	170
◆	T
S04457010000 FRONT CONNECTING ASSEMBLY	172
◆	T
S04458010000 REAR CONNECTING ASSEMBLY	174
◆	T
S04459010000 INSULATION LAYER	176
◆	T
S04471030000K BONNET ASSEMBLY	178
◆	T
S04473010000 BONNET LOCKING DEVICE ASSEMBLY	184
◆	T
S04475080000K BONNET SEAL INSTALLATION ASSEMBLY	186
◆	T
S04471030000K BONNET ASSEMBLY	188
◆	T
S04482050000K BODY HARNESS INSTALLATION ASSEMBLY	194
◆	T
S04483020000K FRONT LAMP HARNESS INSTALLATION ASSEMBLY	196
◆	T
S04484050000K REAR LAMP HARNESS INSTALLATION ASSEMBLY	198
◆	T
S04471030000K BONNET ASSEMBLY	200
◆	T

S04486010000K TOP LIGHT HARNESS INSTALLATION ASSEMBLY	206	
◆		T
S04487010000 COMBINED INSTRUMENT ASSEMBLY	209	
◆		T
B550. 489B PREHEATING EQUIPMENT ASSEMBLY	211	
◆		T
S04490010000 TOOL BOX ASSEMBLY	213	
◆		T
B1S501020000K OIL TANK INSTALLATION ASSEMBLY	215	
◆		T
S04503010000 OIL CONVEYING PIPE ASSEMBLY	219	
◆		T
C02551250000K LIFTER INSTALLATION ASSEMBLY	221	
◆		T
S04552010000 LIFTER OPERATION ASSEMBLY	232	
◆		T
C02553070000K HYDRAULIC AUXILIARY OIL TANK ASSEMBLY	234	
◆		T
C02561040000K SUSPENSION ASSEMBLY	236	
◆		T
S04581070000K OIL PUMP/PIPE/FILTER ASSEMBLY	241	
◆		T
C02582100000K MULTI-WAY VALVE OIL PIPE ASSEMBLY	243	
◆		T
B300. 583A SINGLE-WAY HYDRAULIC OUTPUT ASSEMBLY 2	246	
◆		T
C03620010000K SAFETY BELT INSTALLATION ASSEMBLY	248	
◆		F
T300. 74B. 001 FRONT BALLAST BRACKET ASSEMBLY	250	
◆		T
S04471030000K BONNET ASSEMBLY	252	
◆		T
S04812060000K AIR CONDITION ASSEMBLY-ENGINE	258	
◆		F
T600. 91. 001 REAR BALLAST ASSEMBLY	260	

A4K41T60-4C ENGINE ASSY-1



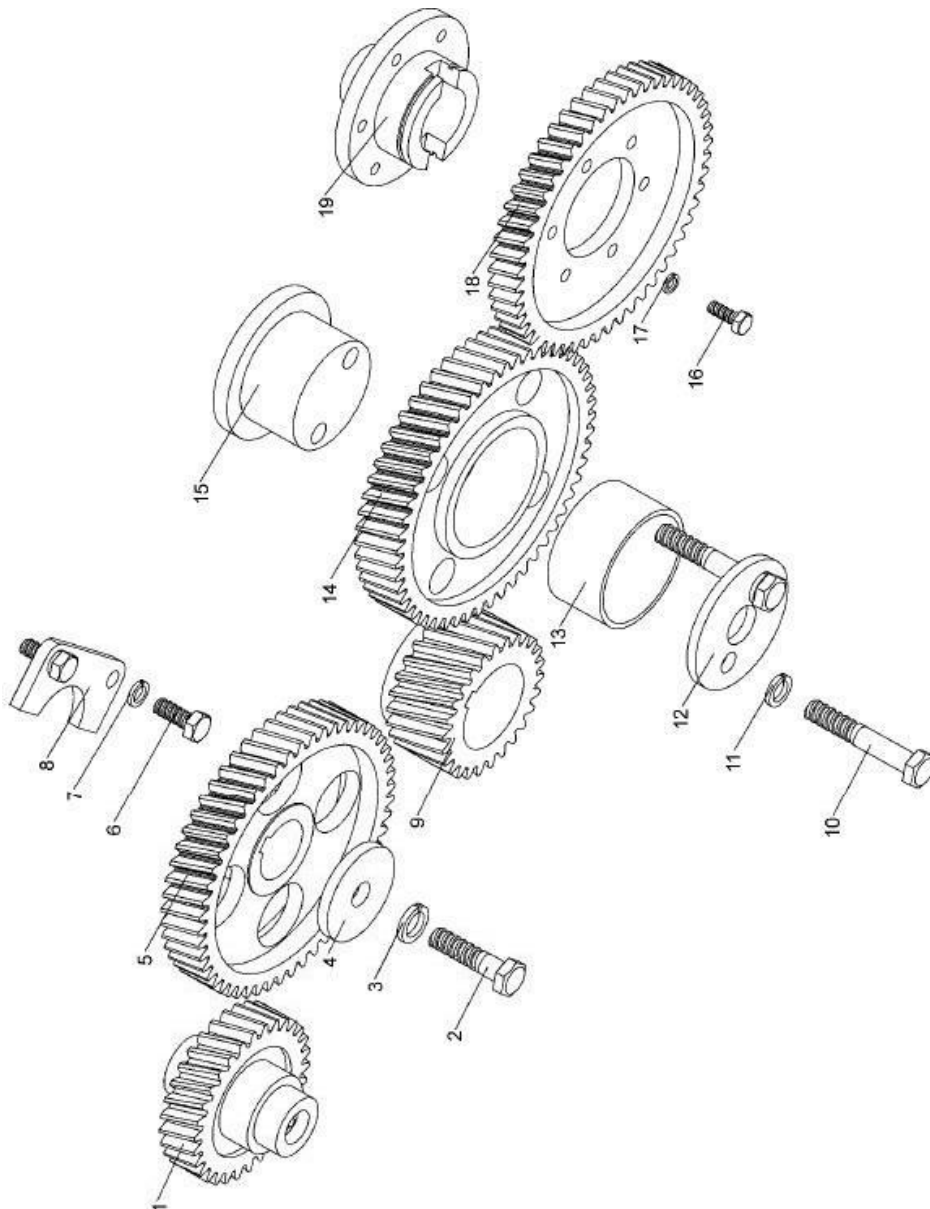
A4K41T60-4C ENGINE ASSY-1

No.	Part No.	Description	Version	QTY.	Remark
	A4K41T60-4C	ENGINE ASSY		1	
1	4K41T-01101	CYLINDER BLOCK		1	
2	4K39T-01004	CYLINDER COVER GASKET		1	
3	4K39T-01002	CYLINDER HEAD BOLT I		14	
4	4K39T-01001	CYLINDER COVER LOCATING BUSH		2	
5	4K39T-01003	CYLINDER HEAD BOLT II		4	
6	4K41T-01005	CYLINDER BUSH		4	
7	GBT5782-M8X55	BOLT		2	
8	GBT982-8	COMBINED SEAL GASKET		4	
9	4K39T-01042	COVER 2		1	
10	4K39T-01043	GASKET		2	
11	490B-01029-1	SCREW PLUG Rc1/8		2	
12	4K39T-01051	BUSHING		1	
13	GBT5782-M8X70	BOLT		2	
14	4K39T-01041	COVER 1		1	
15	490BT-13008-1	SCREW PLUG		1	
16	490BT-01100-1	DRAIN SWITCH		1	
17	GBT119-B8X20	PIN		2	
18	4K39T-01053	FILTER SEAT		1	
19	490B-52005-1	OIL INLET JOINT		1	
20	4K39T-21100-2	LUBRICATING OIL PIPE OF OIL INJECTION PIPE		1	
21	4K39T-01074	JOIT		1	
22	4K39T-01073	OIL FILTER GASKET		1	
23	JBT6013-8	WASHER		2	
24	GBT923-M8	NUT		1	
25	GBT5782-M8X50	BOLT		2	
26	GBT93-8	WASHER		8	
27	GBT97.1-8-140HV	WASHER		8	
28	GBT5782-M10X85	BOLT		2	
29	GBT93-10	WASHER		2	
30	GBT97.1-10-140HV	WASHER		2	
31	4K39T-01052	GASKET OF OIL FILTER SEAT		1	
32	GBT119-B10X24	PIN		2	

A4K41T60-4C ENGINE ASSY-1 (cont' d.)

No.	Part No.	Description	Version	QTY.	Remark
33	4K39T-01034/01033	MAIN BEARING		5	
34	4K39T-01026/01022	THRUST SHIM		2	
37	4K39T-01111	PLUG COVER 65		2	
38	4K39T-01112	PLUG COVER 35		1	
39	490B-03017	BOWL SHIM 20		1	
40	4K39T-01104	REAR BUSH OF CAMSHAFT		1	
41	4K39T-01102	ORIENTATION PIN 6X12		1	
45	4K39T-01103	MAIN BEARING COVER BOLT		10	
46	4K39T-01107	CAMSHAFT BUSH		2	
47	4K39T-01108	FRONT BUSH OR CAMSHAFT		1	
48	490B-01081	SCREW PLUG R1/4		1	
49	490B-01078	BOWL SHIM 30		2	
50	4K39T-01036	SEAL,OIL		1	

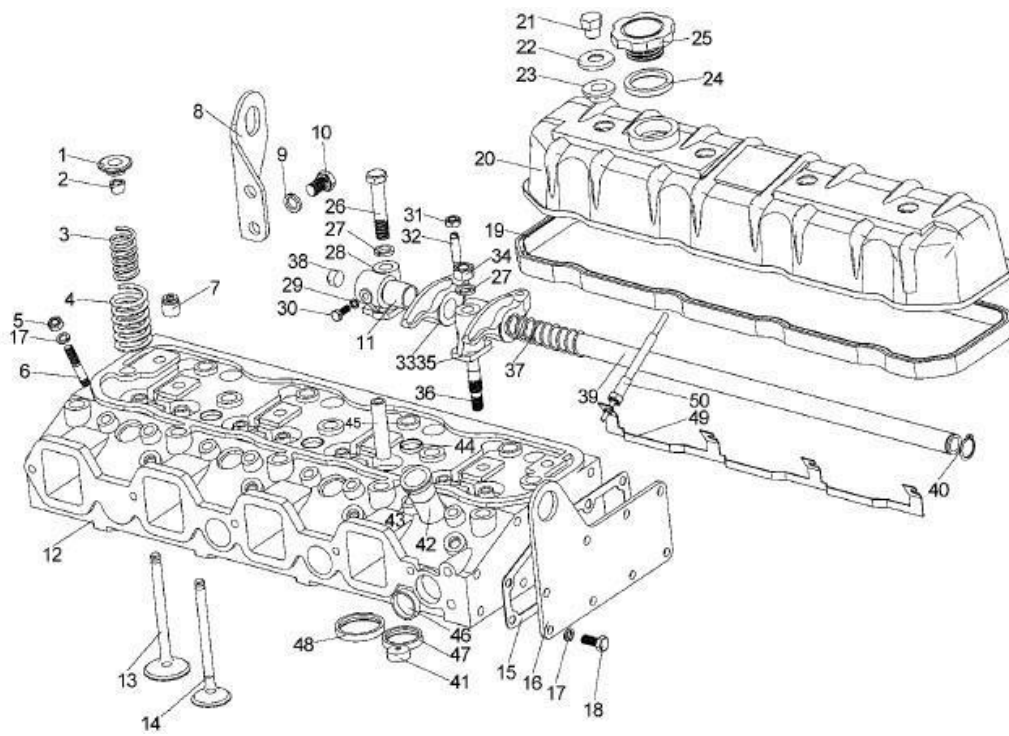
A4K41T60-4C ENGINE ASSY-2



A4K41T60-4C ENGINE ASSY-2

No.	Part No.	Description	Version	QTY.	Remark
1	4K39T-02013-2	HYDRAULIC PUMP GEAR		1	
2	GBT5782-M12X40	HEXAGON BOLT		1	
3	GBT93-12	SPRING WASHER		1	
4	4K39T-02011	CAMSHAFT GEAR PLATE		1	
5	4K39T-02009	CAMSHAFT TIMING GEAR		1	
6	GBT5783-M8X20	HEXAGON BOLT		2	
7	GBT93-8	SPRING WASHER		2	
8	4K39T-02008	CAMSHAFT THRUST PLATE		1	
9	4K39T-02007	CRANKSHAFT GEAR		1	
10	GBT5782-M10X60	HEXAGON BOLT		2	
11	GBT93-10	SPRING WASHER		2	
12	4K39T-02012	IDLE GEAR PRESSURE PLATE		1	
13	4K39T-02005	BUSHING OF IDLE GEAR		1	
14	4K39T-02006	IDLE GEAR		1	
15	4K39T-02004	TIMING IDLE GEAR SHAFT		1	
16	GBT5783-M6X16	HEXAGON BOLT		6	
17	GBT93-6	SPRING WASHER		6	
18	4K39T-02003	INJECTOR PUMP GEAR		1	
19	4K39T-02015-2	OIL INJECTION PUMP TIM- ING GEAR SHAFT BUSH		1	

A4K41T60-4C ENGINE ASSY-3



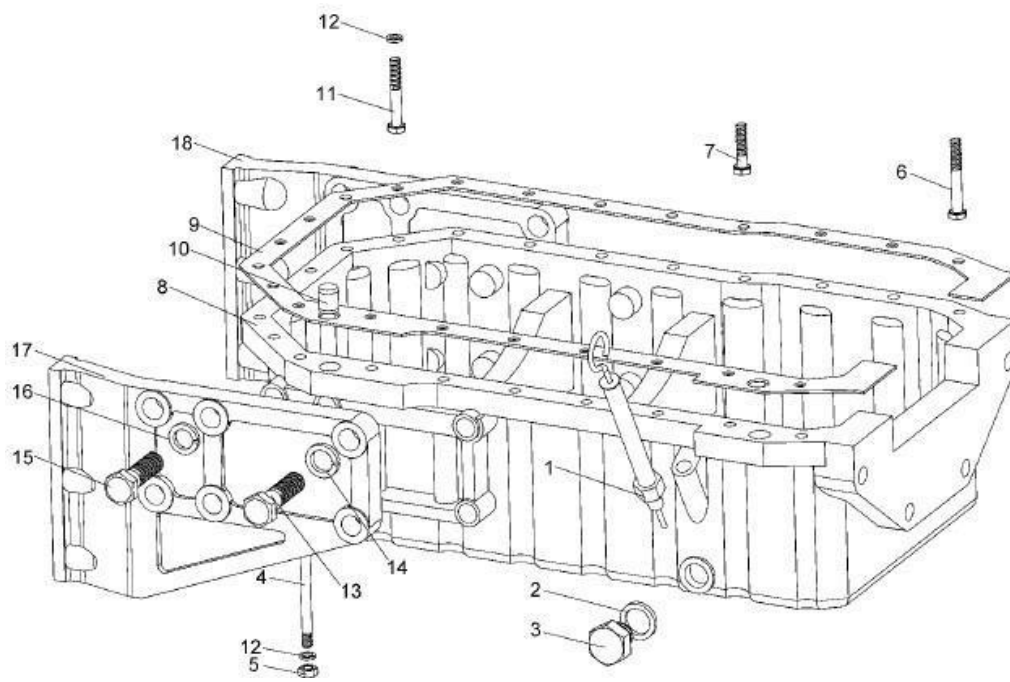
A4K41T60-4C ENGINE ASSY-3

No.	Part No.	Description	Ver- sion	QTY.	Remark
1	4K39T-03007	VALVE SPRING UPPER SEAT		16	
2	4K39T-03006	VALVE COLLET		16	
3	4K39T-03005	VALVE INNER SPRING		8	
4	4K39T-03004	VALVE OUTER SPRING		8	
5	GBT6170-M8	NUT		8	
6	GBT898-AM8X45	DOUBLE END STUDS		8	
7	4K39T-03008	VALVE GUIDE PIPE OIL SEAL		8	
8	4K39T-03011	CONDOLE EAR		1	
9	GBT93-12	SPRING WASHER		2	
10	GBT5783-M12X25	HEXAGON BOLT		2	
11	4K39T-03212	SLEEVE		8	
12	A4K41T-03100	HEAD AS.		1	
13	4K39T-03015	AIR INLET VALVE		4	
14	4K39T-03014	EXHAUST VALVE		4	
15	4K39T-03013	GASKET OF REAL COVER		1	
16	4K39T-03012	REAL COVER		1	
17	GBT93-8	SPRING WASHER		16	
18	GBT5783-M8X20	BOLT		8	
19	4K39T-11002	CYLINDER COVER BON- NET GASKET		1	
20	4K39T-11100	CYLINDER COVER WELDMENT		1	
21	4K39T-11006	LOCKING NUT		4	
22	4K39T-11005	MAT		4	
23	4K39T-11007	MAT		4	
24	4K39T-11004	WASHER		1	
25	4K39T-11003-2	FILLING CAP		1	
26	4K39T-03207	ROCKER SEAT BOLT		2	
27	GBT93-12	SPRING WASHER		6	
28	4K39T-03205	ROCKER ARM BRACKET		1	
29	GBT93-6	SPRING WASHER		1	
30	GBT5783-M6X16	BOLT		1	
31	GBT6171-M8X1	NUT		8	
32	4K39T-03201	VALVE CLEARANCE AD- JUSTING SCREW		8	

A4K41T60-4C ENGINE ASSY-3 (cont' d.)

No.	Part No.	Description	Version	QTY.	Remark
33	4K39T-03211	VALVE ROCKER		8	
34	GBT6172-M12	NUT		4	
35	4K39T-03202	ROCKER ARM BRACKET		5	
36	4K39T-03208	BOLT		4	
37	4K39T-03203	ROCKER SHAFT SPRING		3	
38	4K39T-03206	PLUG M14X1.5		2	
39	4K39T-03204	ROCKER SHAFT		1	
40	GBT8941-20	RETAINER RING		1	
41	4K39T-03105	BOWL TYPE STOPPER PATCH		6	
42	4K39T-03109	OIL INJECTOR COPPER BUSH		4	
43	GBT3452.1-25X2.4	RUBBER O-SEAL RING		4	
44	4K39T-03111	BOWL TYPE STOPPER PATCH 22		3	
45	4K39T-03102	VALVE GUIDE PIPE		8	
46	490B-01078	BOWL TYPE STOPPER PATCH 30		2	
47	4K39T-03108	EXHAUST VALVE SEAT		4	
48	4K39T-03107	AIR INLET VALVE SEAT		4	
49	A490B-55100	HEAT PLUG CONNECTING WIRE		1	
50	4K39T-54100	HEAT PLUG		4	

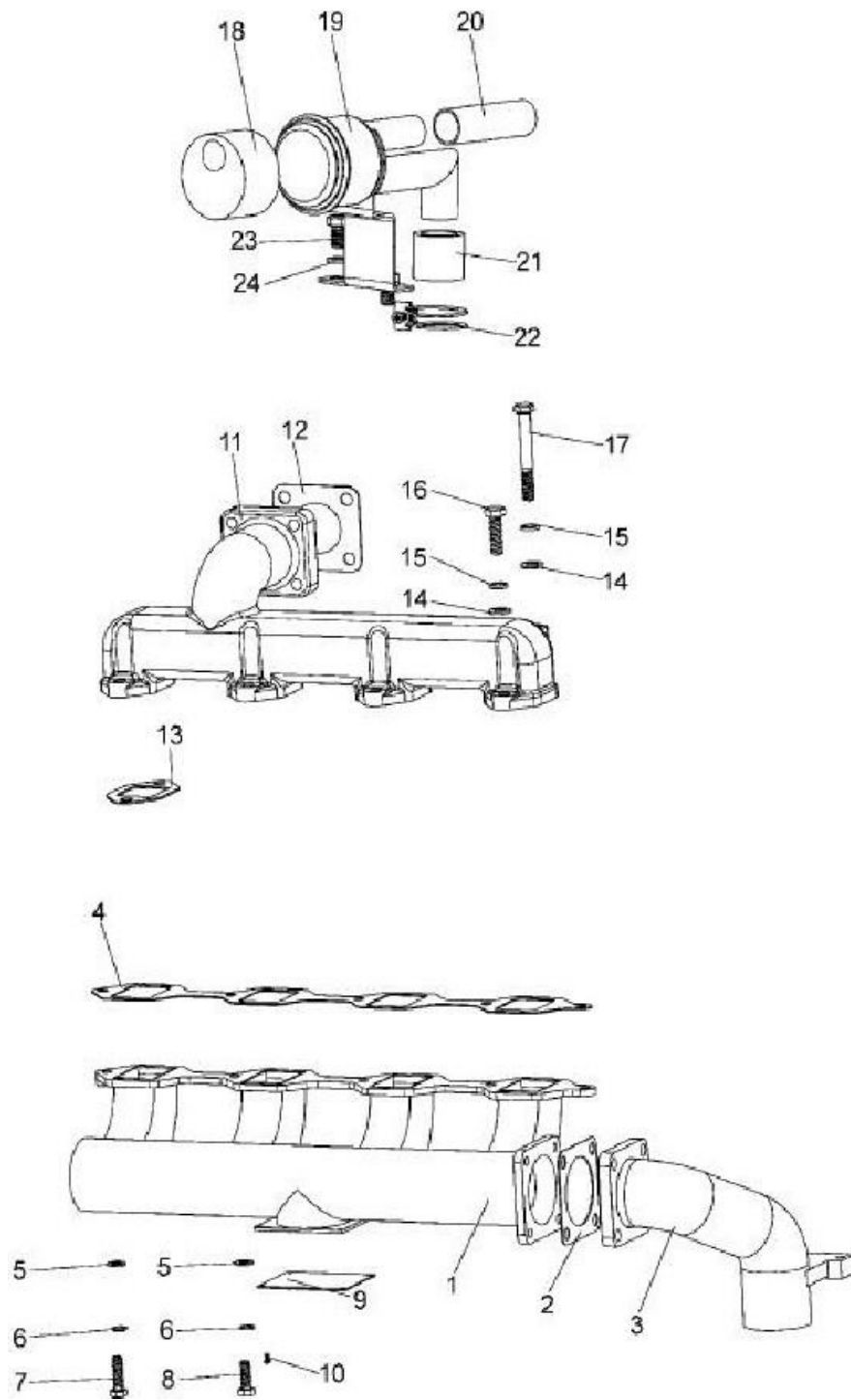
A4K41T60-4C ENGINE ASSY-4



A4K41T60-4C ENGINE ASSY-4

No.	Part No.	Description	Ver- sion	QTY.	Remark
1	4K39T-07200	OIL DIPSTICK		1	
2	JBT982-20	COMBINED SEAL GASKET		1	
3	JBT2343-20	HEXAGON MAGNETISM PLUG		1	
4	GBT899-AM8X130	DOUBLE END STUDS		6	
5	GBT6170-M8	HEXAGON NUT		6	
6	GBT5782-M8X60	HEXAGON BOLT		1	
7	GBT5782-M8X35	HEXAGON BOLT		13	
8	4K39T-07106-1	OIL SUMP		1	
9	4K39T-07002	OIL SUMP GASKET		1	
10	GBT119.2-B16X20	PIN		2	
11	GBT5782-M8X55	HEXAGON BOLT		2	
12	GBT93-8	SPRING WASHER		22	
13	490BT-07800	SIDE BRACKET BOLT		4	
14	GBT93-18	SPRING WASHER		4	
15	GBT5782-M16X55	BOLT		8	
16	GBT93-16	SPRING WASHER		8	
17	4K39T-15001R	SIDE BRACKET RIGHT		1	
18	4K39T-15001L	SIDE BRACKET LEFT		1	

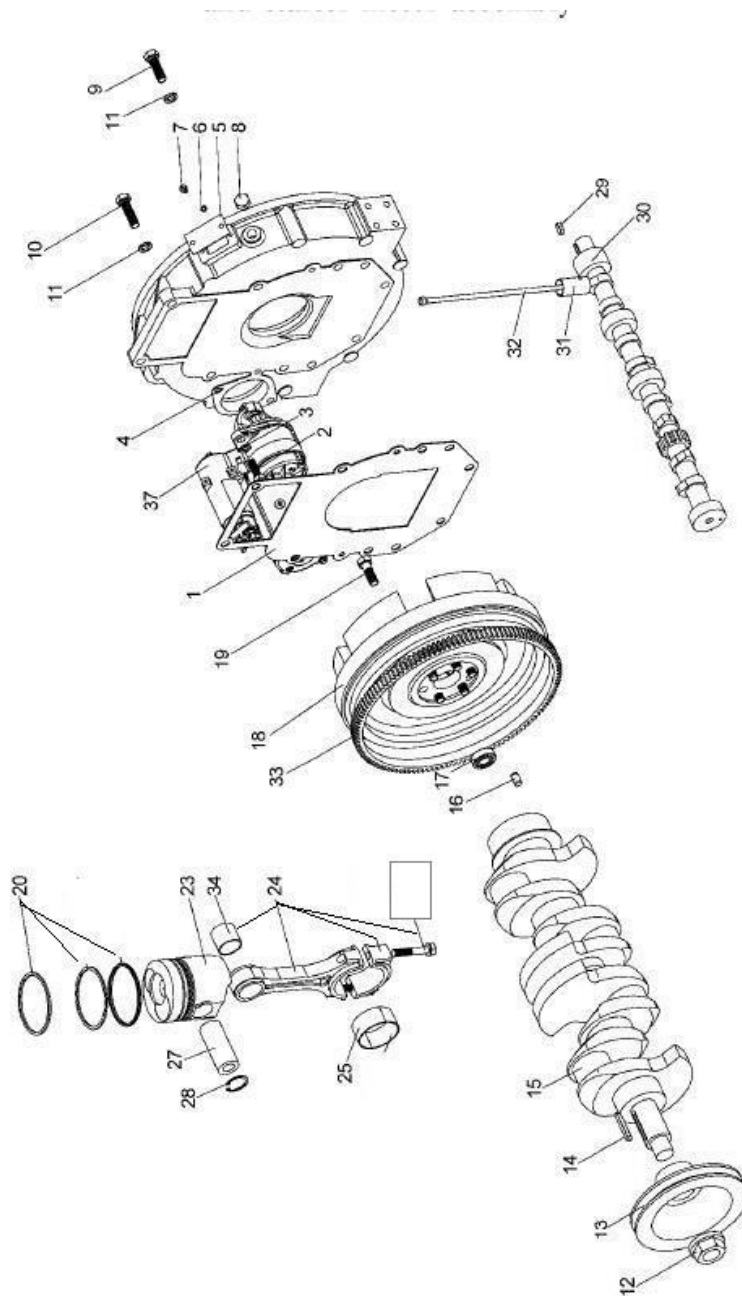
A4K41T60-4C ENGINE ASSY-5



A4K41T60-4C ENGINE ASSY-5

No.	Part No.	Description	Version	QTY.	Remark
1	4K39T-09002-7	AIR INLET PIPE		1	
2	4K39T-09004	AIR INLET PIPE MAT		1	
3	490BT-09003-3	AIR INLET CONNECTING PIPE		1	
4	4K39T-09001	AIR INLET PIPE GASKET		1	
5	GBT97.1-8-140HV	FLAT WASHER		9	
6	GBT93-8	SPRING WASHER		9	
7	GBT5783-M8X30	BOLT		1	
8	GBT5783-M8X25	BOLT		8	
9	4K39T-11009	NAMEPLATE		1	
10	GBT818-M3X6	CROSS SCREW		4	
11	4K39T-08001-4	EXHAUST PIPE		1	
12	4K39T-08004	EXHAUST PIPE MAT		1	
13	4K39T-08002	GASKET,EXHAUST		4	
14	GBT97.1-10	FLAT WASHER		8	
15	GBT93-10	SPRING WASHER		8	
16	GBT5783-M10X35	BOLT		6	
17	GBT5782-M10X80	BOLT		2	
18	4K39T-34006	BREATH FILTER ELEMENT		1	
19	4K39T-34100	BREATHER HOUSING		1	
20	JBT8406-A28X400	RUBBER HOSE		1	
21	JBT8406-A32X40	RUBBER HOSE		1	
22	ZBT3005-45	CLAMP HOOP		3	
23	GBT5782-M12X20	HEXAGON BOLT		2	
24	GBT93-12	SPRING WASHER		2	
25	4K39T-08004-7	EXHAUST JOINT PIPE		1	
26	4K39T-08004	WASHER		1	

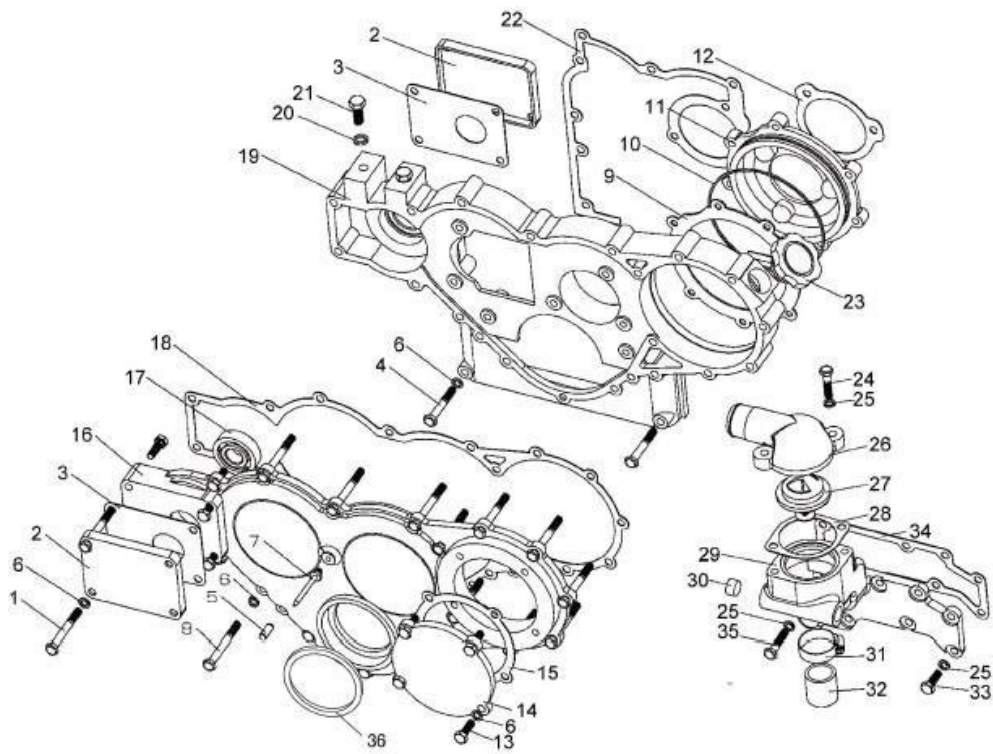
A4K41T60-4C ENGINE ASSY-6



A4K41T60-4C ENGINE ASSY-6

No.	Part No.	Description	Ver- sion	QTY.	Remark
1	4K39T-13004	FLYWHEEL HOUSING GASKET		1	
2	GBT5783-M12X35	HEXAGON BOLT		2	
3	GBT93-12	SPRING WASHER		2	
4	4K39T-13001	FLYWHEEL HOUSING		1	
5	490B-13003	INSPECTION HOLE COVER PLATE		1	
6	GBT93-6	SPRING WASHER		2	
7	GBT67-M6X10	SLOTTED PAN HEAD SCREW		2	
8	490BT-13008-1	SCREW PLUG		1	
9	GBT5783-M14X45	HEXAGON BOLT		8	
10	GBT5783-M14X50	HEXAGON BOLT		2	
11	GBT93-14	SPRING WASHER		10	
12	4K39T-05002	NUT		1	
13	4K39T-05001-9	CRANKSHAFT BELT PULLEY		1	
14	GBT1096-8X60	KEY		1	
15	4K41T-05003	CRANKSHAFT		1	
16	GBT119-B12X20	COLUMN PIN		1	
17	GBT276-6204-2Z	BEARING		1	
18	4K39T-05101-14	FLYWHEEL		1	
19	4K39T-05004	FLYWHEEL BOLT		6	
20	A4K41T-04100	PISTON RING		4	
23	A4K41T-04001	PISTON		4	
24	A4K41T-04200	CONNECTINGRODS		4	
25	4K39T-04005/04006	CONNECTING ROD BEARING		4	
27	A4K41T-04004	PISTON PIN		4	
28	GBT93.1-38	CIRCLIP FOR HOLE		8	
29	GBT1096-C8X20	KEY		6	
30	4K39T-06001	CAMSHAFT		1	
31	4K39T-06002	VALVE TAPPET		8	
32	4K39T-06003	VALVE PUSH ROD		8	
33	490B-05102	FLYWHEEL GEAR RING		1	
34	4K39T-04202	CONNECTING ROD BUSH		4	
37	QDJ1409E-P	STARTING MOTOR ASSEMBLY		1	

A4K41T60-4C ENGINE ASSY-7



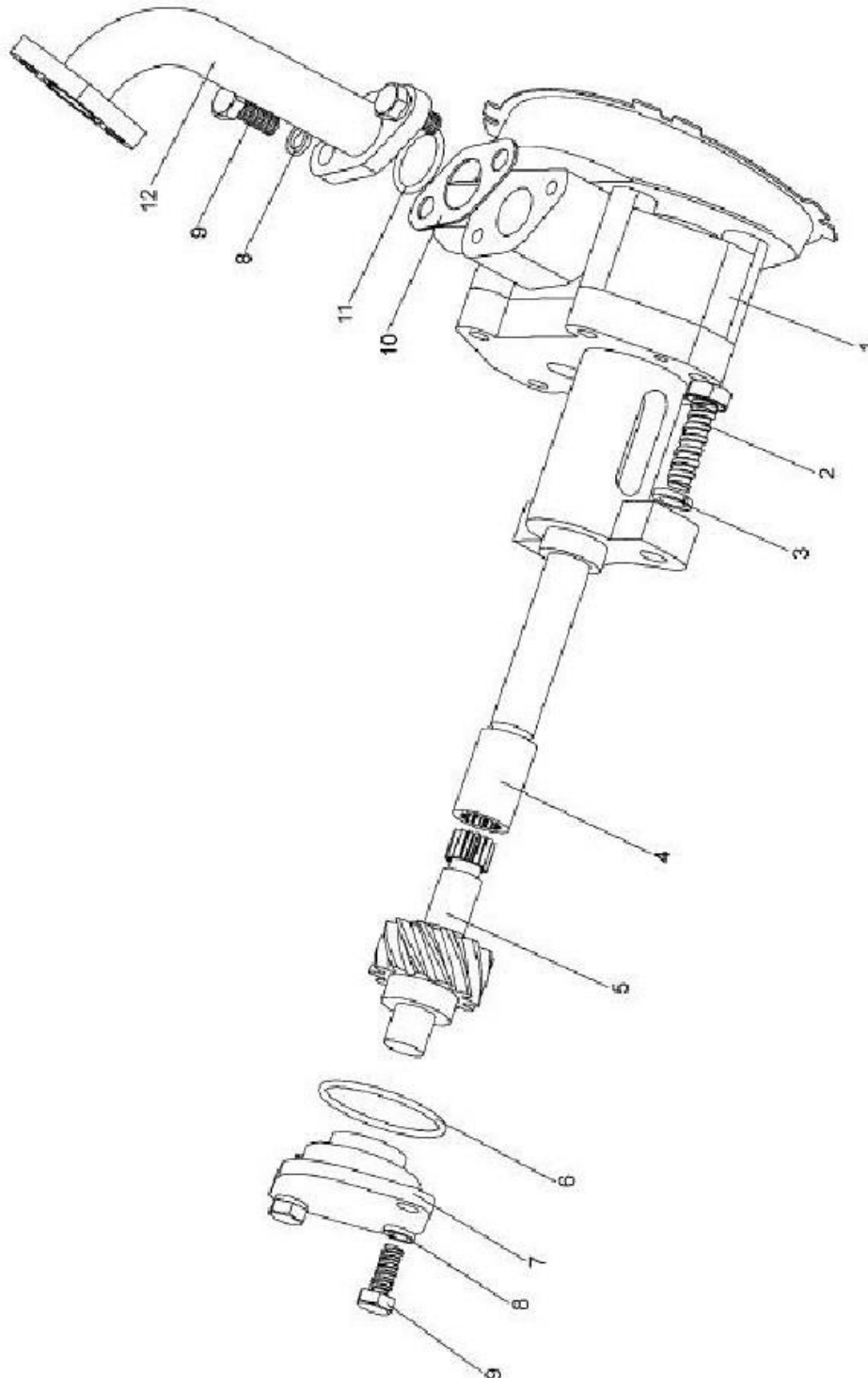
A4K41T60-4C ENGINE ASSY-7

No.	Part No.	Description	Version	QTY.	Remark
1	GBT5782-M8X65	HEXAGON BOLT		9	
2	490BT-16014A	COVER PLATE		2	
3	490BT-16013-1	HYDRAULIC PUMP END COVER GASKET		2	
4	GBT5782-M8X70	HEXAGON BOLT		5	
5	GBT119.2-8X20	COLUMN PIN		2	
6	GBT93-8	SPRING WASHER		37	
7	4K39T-16012	FINGER		1	
8	GBT5782-M8X55	HEXAGON BOLT		2	
9	4K39T-16006	OIL INJECTION PUMP CON- NECTING PLATE GASKET		1	
10	GBT1235-140X3.1	O-SEAL RING		1	
11	4K39T-16005	OIL INJECTION PUMP CON- NECTING PLATE		1	
12	490B-16011-1	OIL INJECTION PUMP GASKET		1	
13	GBT5783-M8X25	HEXAGON BOLT		20	
14	490BT-16016A	AIR COMPRESSOR COVER PLATE		1	
15	490BT-16005	AIR COMPRESSOR COVER PLATE GASKET		1	
16	4K39T-16001	TIMING GEAR CASE COVER		1	
17	GBT276-6006	DEEP GROOVE BALL BEARING		2	
18	4K39T-16002	TIMING GEAR COVER GASKET		1	
19	4K39T-16000-3	TIMING GEAR CASE ASSEMBLY		1	
20	GBT93-10	SPRING WASHER		2	
21	GBT21-M10X25	BOLT		2	
22	4K39T-16004	WASHER		1	
23	4K39T-16100	COVER		1	
24	GBT5782-M8X30	HEXAGON BOLT		2	
25	GBT93-8	SPRING WASHER		10	
26	4K39T-43001	THERMOSTAT COVER		1	
27	4K39T-43000	THERMOSTAT ASSY		1	
28	4K39T-43003	THERMOSTAT COVER GASKET		1	

A4K41T60-4C ENGINE ASSY-7 (cont' d.)

No.	Part No.	Description	Version	QTY.	Remark
29	4K39T-43101	THERMOSTAT SHELL		1	
30	490B-43008	SCREW PLUG NPT3/8		2	
31	JBT8870-d40	HOOP		2	
32	4K39T-43009	RUBBER HOSE 27X35		1	
33	GBT5782-M8X20	HEXAGON BOLT		7	
34	4K39T-43005	THERMOSTAT SHELL GASKET		1	
35	GBT5782-M8X35	HEXAGON BOLT		1	
36	4K39T-16035	SEAL,OIL		1	

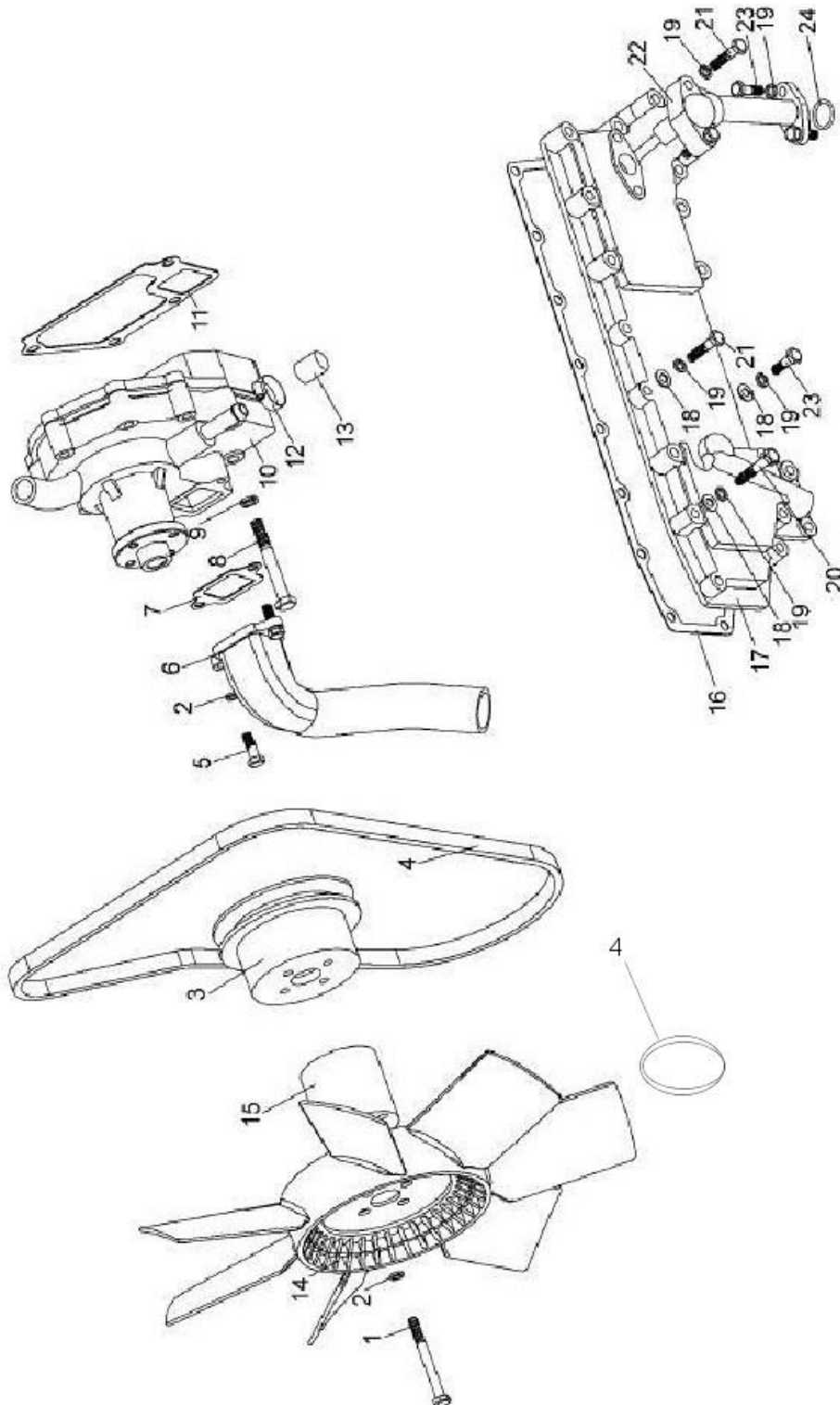
A4K41T60-4C ENGINE ASSY-8



A4K41T60-4C ENGINE ASSY-8

No.	Part No.	Description	Version	QTY.	Remark
1	4K39T-31100	OIL PUMP ASSEMBLY		1	
2	GBT5783-M10X35	HEXAGON BOLT		2	
3	GBT93-10	SPRING WASHER		2	
4	4K39T-31102	SPLINE BUSH		1	
5	4K39T-31101	SHAFT OF DRIVING GEAR		1	
6	GBT3452.1-46.2X2.65	RUBBER O-SEAL RING		1	
7	4K39T-31002	OIL PUMP COVER		1	
8	GBT93-8	SPRING WASHER		6	
9	GBT5783-M8X20	HEXAGON BOLT		6	
10	4K39T-31001	WASHER		2	
11	GBT3452.1-22.4X2.65	RUBBER O-SEAL RING		2	
12	4K39T-31200	OIL PIPE		1	

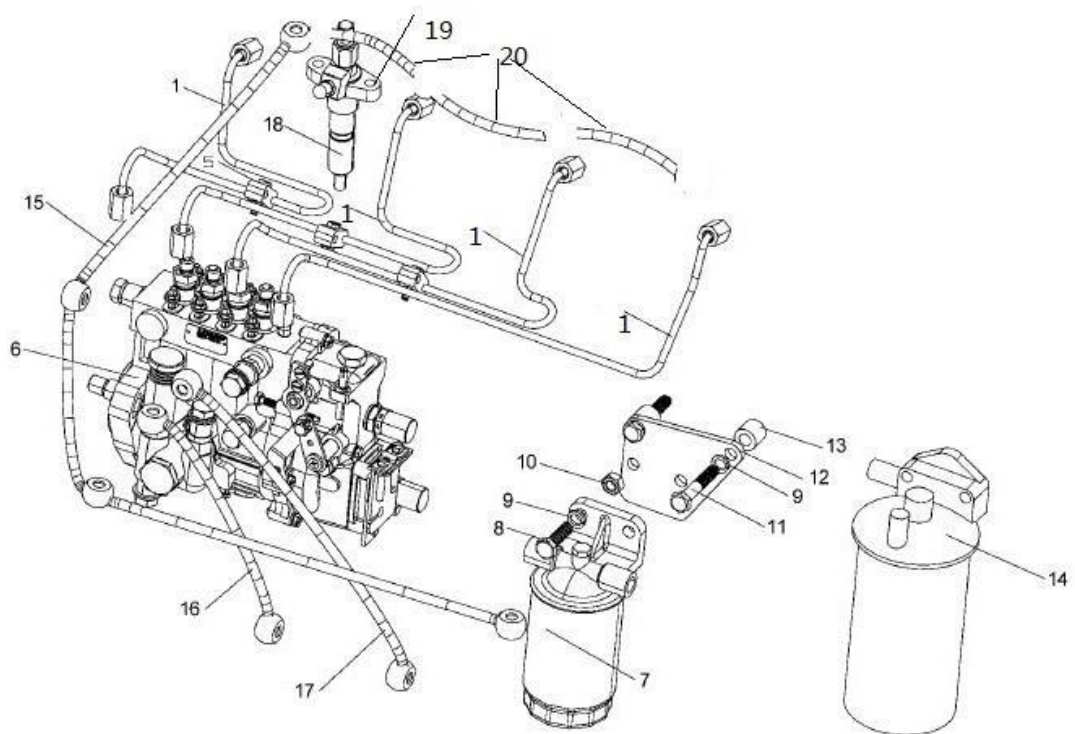
A4K41T60-4C ENGINE ASSY-9



A4K41T60-4C ENGINE ASSY-9

No.	Part No.	Description	Ver- sion	QTY.	Remark
1	GBT5782-M8X95	HEXAGON BOLT		4	
2	GBT93-8	SPRING WASHER		6	
3	4K39T-42002-5	FAN BELT PULLEY		1	
4	AV15X1060Li	BELT CRANKSHAFT-FAN		1	
4	AV15X730Le	BELT FAN-GENERATOR		1	
5	GBT5782-M8X25	HEXAGON BOLT		2	
6	4K39T-42003	WATER INLET PIPE		1	
7	4K39T-42004	WATER INLET PIPE GASKET		1	
8	GBT5782-M10X85	HEXAGON BOLT		4	
9	GBT93-10	SPRING WASHER		4	
10	4K39T-42100	WATER PUMP ASSEMBLY		1	
11	4K39T-42001	WATER PUMP GASKET		1	
12	JBT8870-d25	HOOP		1	
13	4K39T-42005	CONNECTING JOINT SLEEVE		1	
14	Z450-28-52-7A	FAN ASSEMBLY		1	
15	490B-41003-4	FAN GASKET		1	
15	490B-41003-5	FAN GASKET 23		1	
16	4K39T-36001	GASKET		1	
17	4K39T-36100	OIL COOLER ASSEMBLY		1	
18	GBT97.1-8	PLAIN WASHER		22	
19	GBT93-8	SPRING WASHER		26	
20	GBT5782-M8X45	HEXAGON BOLT		9	
21	GBT5782-M8X35	HEXAGON BOLT		6	
22	4K39T-36200	INTAKE OIL PIPE ASSEMBLY		1	
23	GBT5782-M8X25	HEXAGON BOLT		11	
24	GBT3452.1-21.2X2.65	RUBBER O-SEAL RING		2	

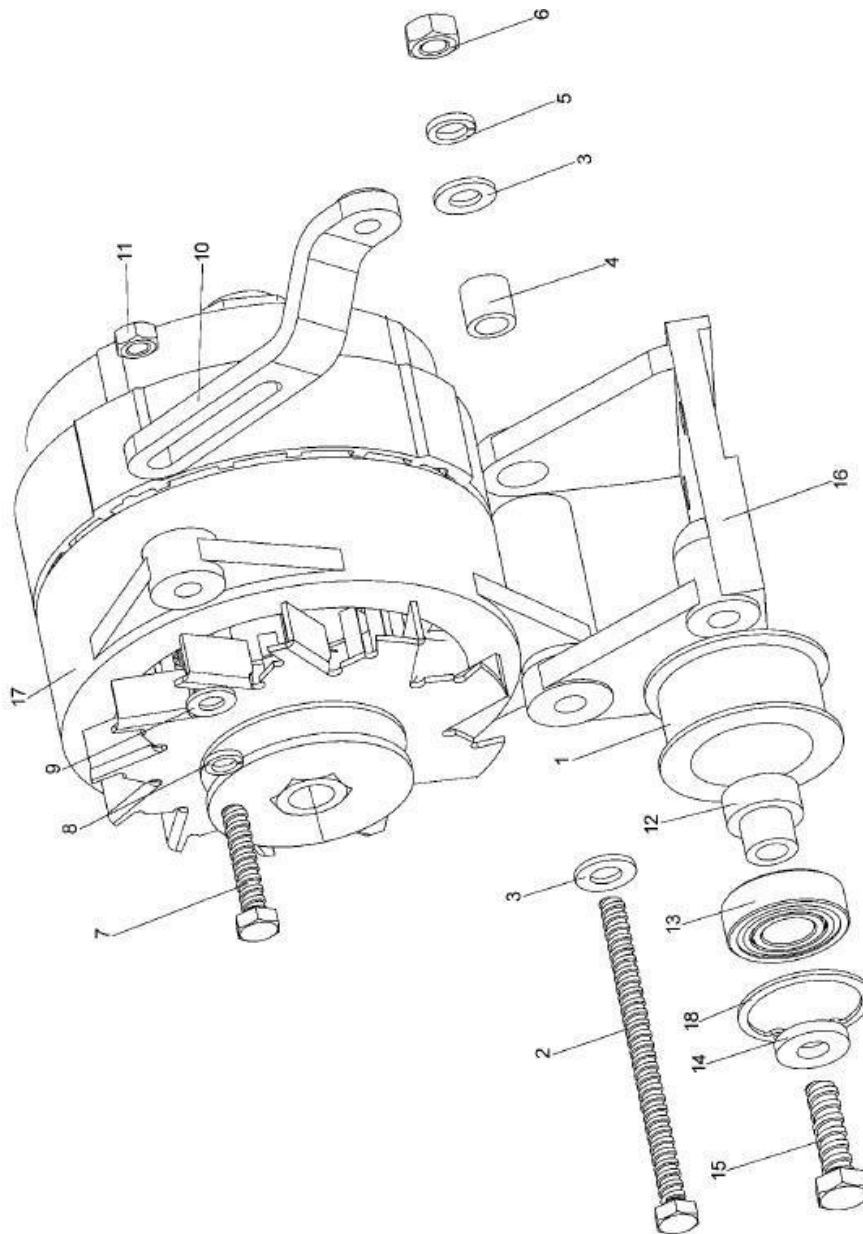
A4K41T60-4C ENGINE ASSY-10



A4K41T60-4C ENGINE ASSY-10

No.	Part No.	Description	Version	QTY.	Remark
1	A4K41T-23000-3	HIGH PRESSURE OIL PIPE ASSEMBLY		1	
5	490B-23500	CLAMP HOOP		3	
6	B667T-1	OIL INJECTION PUMP		1	
7	4K39T-24000	FUELFILTER		1	
7.1	CX0710T3	FUEL FILTER ELEMENT		1	
8	GBT5783-M10X30	HEXAGON BOLT		2	
9	GBT93-10	SPRING WASHER		4	
10	GBT6170-M10	HEXAGON NUT		2	
11	GBT5783-M10X45	HEXAGON BOLT		2	
12	4K39T-26001	BRACKET		1	
13	4K39T-26002	MAT SLEEVE		2	
14	4K39T-32000	OIL FILTER ASSEMBLY		1	
14.1	JXL0809	OIL FILTER ELEMENT		1	
15	A4K41T-25400	OIL INJECTOR-PUMP TO HANDLE PUMP PIPE		1	
16	4K39T-25300	PARTS FROM OIL CONVEYING PUMP TO FILTER INLET PIPE		1	
17	4K39T-25200-1	OIL INLET PIPE FROM FILTER TO INJECTION PUMP		1	
18	KBAL-P028	OIL INJECTOR ASSEMBLY		4	
19	A4K41T-03016	OIL INJECTOR PRESSURE PLATE		4	
20	A4K39T-25400	OIL RETURN PIPE		3	
21	A4K41T-03017	INJECTER BOLT		4	

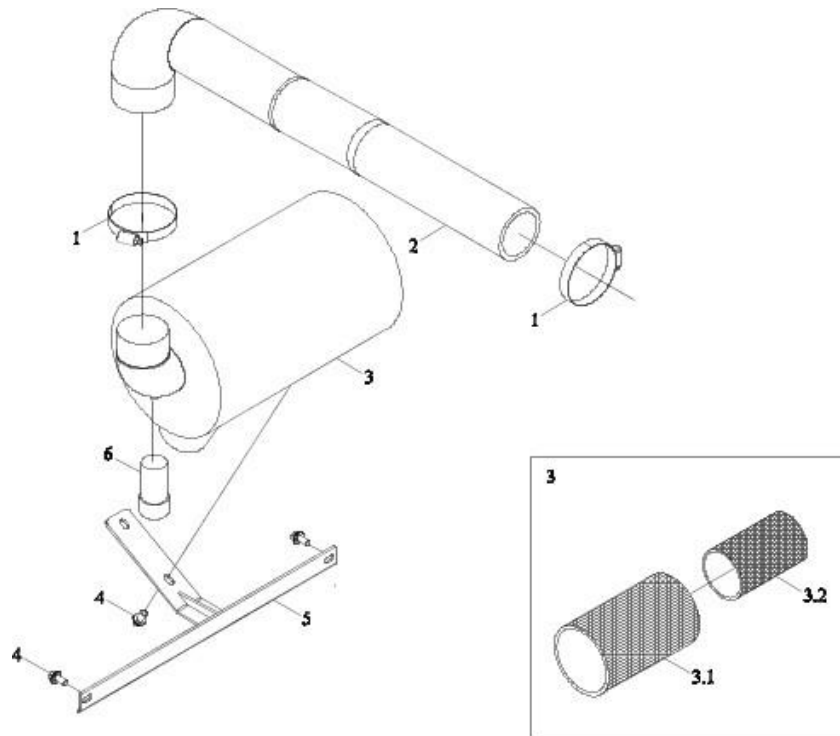
A4K41T60-4C ENGINE ASSY-11



A4K41T60-4C ENGINE ASSY-11

No.	Part No.	Description	Version	QTY.	Remark
	4K	WHOLE ENGINE GASKET		1	
1	4K39T-53101	TIGHTENPULLEY		1	
2	GBT5783-M10X115	HEXAGON BOLT		1	
3	GBT97.1-10	FLAT WASHER		2	
4	4K39T-53003	BRACKET PIPE		1	
5	GBT93-10	SPRING WASHER		1	
6	GBT6170-M10	NUT		1	
7	GBT5783-M8X40	HEXAGON BOLT		1	
8	GBT93-8	SPRING WASHER		1	
9	GBT97.1-8	FLAT WASHER		1	
10	4K39T-53002	GENERATOR ADJUSTABLE SPPORT		1	
11	GBT6170-M8	NUT		1	
12	4K39T-53102	TENSIONERSHAFT		1	
13	GBT278-6203-2Z	BEARING		1	
14	4K39T-53103	TENSIONER SHAFT BEAR- ING WASHER		1	
15	GBT5782-M10X45	HEXAGON BOLT		1	
16	4K39T-53001	GENERATOR BRACKET		1	
17	JFWZ17P-1	GENERATOR		1	
18	GBT893.1-40	RETAINER RING		1	
19	4K39T-53005-1	COVER		1	

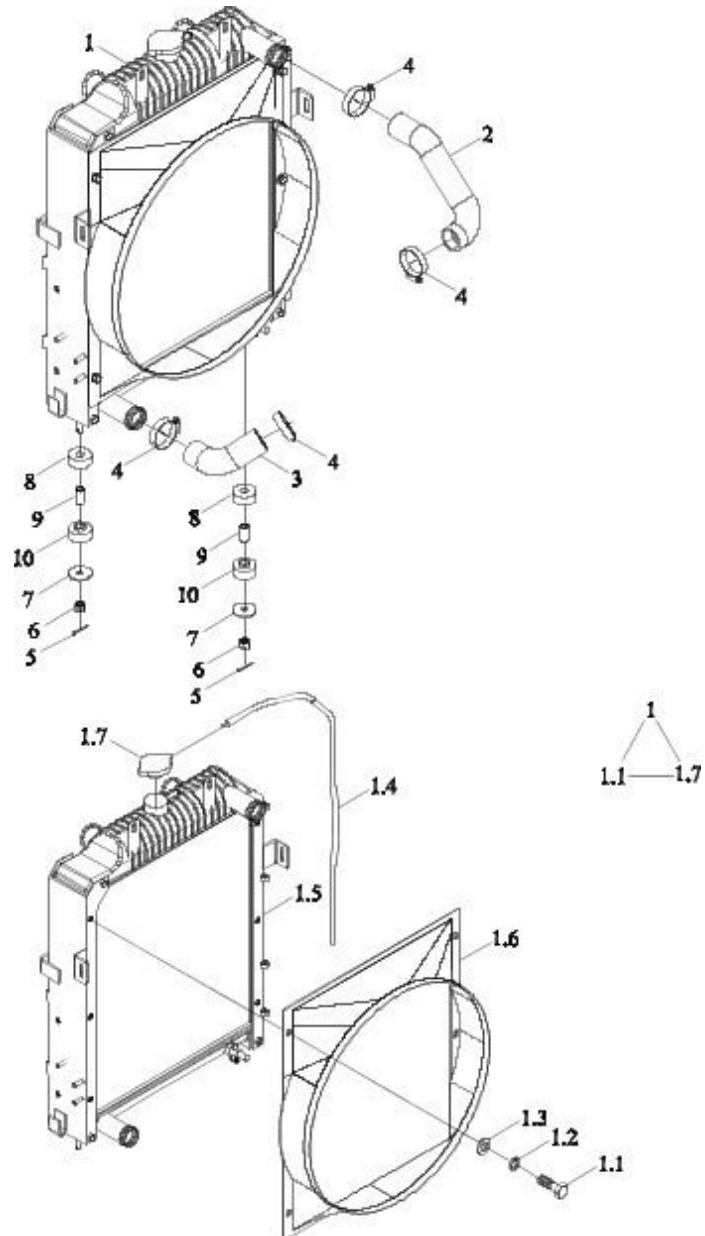
TS04110080000K AIR FILTER SYSTEM ASSEMBLY



TS04110080000K AIR FILTER SYSTEM ASSEMBLY

No.	Part No.	Description	Version	QTY.	Remark
	TS04110080000K	AIR FILTER SYSTEM ASSEMBLY		1	
1	Q67683	B-TYPE WORM TRANSMISSION HOSE CLAMP		2	
2	TS04110080004K	HOSE		1	
3	TS04110080005K	AIR FILTER ASSEMBLY		1	
3.1	TS04110080007K	SECURITY FILTER ELEMENT		1	
3.2	TS04110080006K	MAIN FILTER ELEMENT		1	
4	GBT16674.1-M8X16-8.8-A2L	HEXAGON FLANGE NUT		4	
5	TS04110080001K	AIR FILTER BRACKET WELDMENT		1	
6	TD900.11A-01	AIR FILTER MAINTENANCE INDICATOR		1	

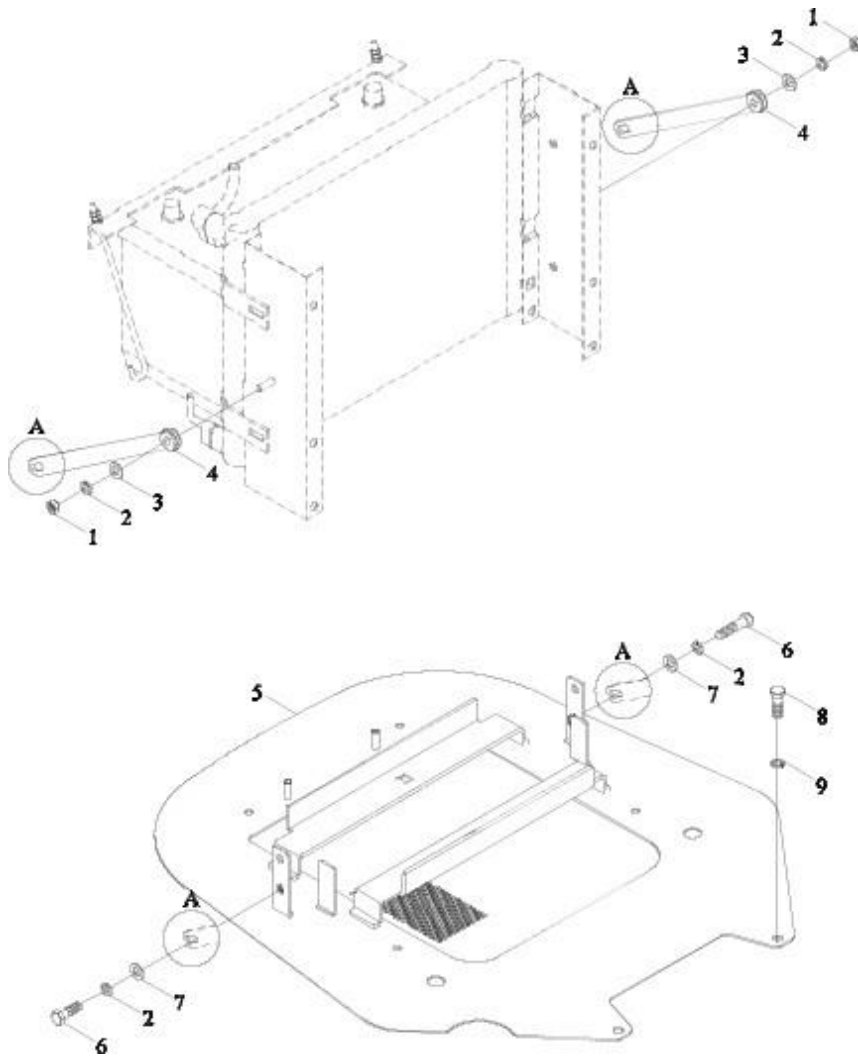
TS0413109000K COOLING SYSTEM ASSEMBLY



TS04131090000K COOLING SYSTEM ASSEMBLY

No.	Part No.	Description	Version	QTY.	Remark
	TS04131090000K	COOLING SYSTEM ASSEMBLY		1	
1	TS04131090001K	RADIATOR ASSEMBLY		1	
1.1	GBT5783-M8X16-8.8-A2L	HEXAGON BOLT		6	
1.2	GBT93-8-A3L	STANDARD SPRING WASHER		6	
1.3	GBT97.1-8-A3L	FLAT WASHER		6	
1.4	TH400.13.1-03	WATER HOSE		1	
1.5	TS04131090002K	WATER COOLING RADIATOR ASSEMBLY		1	
1.6	TS04131090003K	WINDGUIDE COVER		1	
1.7	TB400.13.1	RADIATOR COVER		1	
2	TS04131090004K	WATER TANK INLET HOSE		1	
3	TB550.13Q-02	WATER TANK OUTLET HOSE		1	
4	Q67657	B-TYPE WORM TRANSMISSION HOSE CLAMP		4	
5	GBT91-2.5X28-A3L	SPLIT PIN		2	
6	GBT6178-M10-8-A3L	HEXAGON SLOTTED NUT, STYLE 1		2	
7	FT650.13.116	GASKET		2	
8	TA700.131-01	RUBBER PAD		2	
9	TA700.131-02	SLEEVE		2	
10	TD800.131-11	RUBBER WASHER		2	

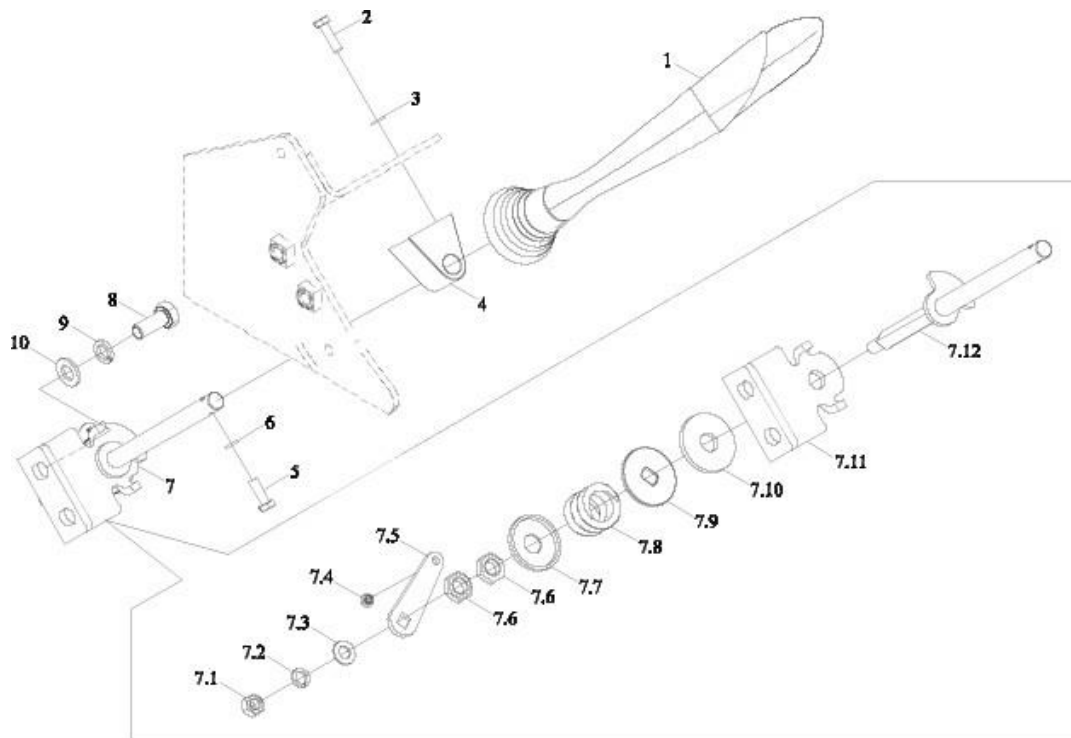
TS04132010000 RADIATOR BACKING BOARD INSTALLATION ASSEMBLY



TS04132010000 RADIATOR BACKING BOARD INSTALLATION ASSEMBLY

No.	Part No.	Description	Version	QTY.	Remark
	TS04132010000	RADIATOR BACKING BOARD INSTALLATION ASSEMBLY		1	
1	GBT6170-M8-8-A2L	HEXAGON NUT, TYPE-1		2	
2	GBT93-8-A0P	STANDARD SPRING WASHER		7	
3	GBT96.1-8-A0P	BIG WASHER		2	
4	TS04132010005	PULL ROD UNIT		2	
5	TS04132010001	RADIATOR BACKING BOARD WELDMENT		1	
6	GBT5783-M8X20-8.8-A2L	HEXAGON BOLT		5	
7	GBT97.1-8-A0P	FLAT WASHER		2	
8	GBT5783-M10X20-8.8-A3L	HEXAGON BOLT		2	
9	GBT93-10-A0P	STANDARD SPRING WASHER		2	

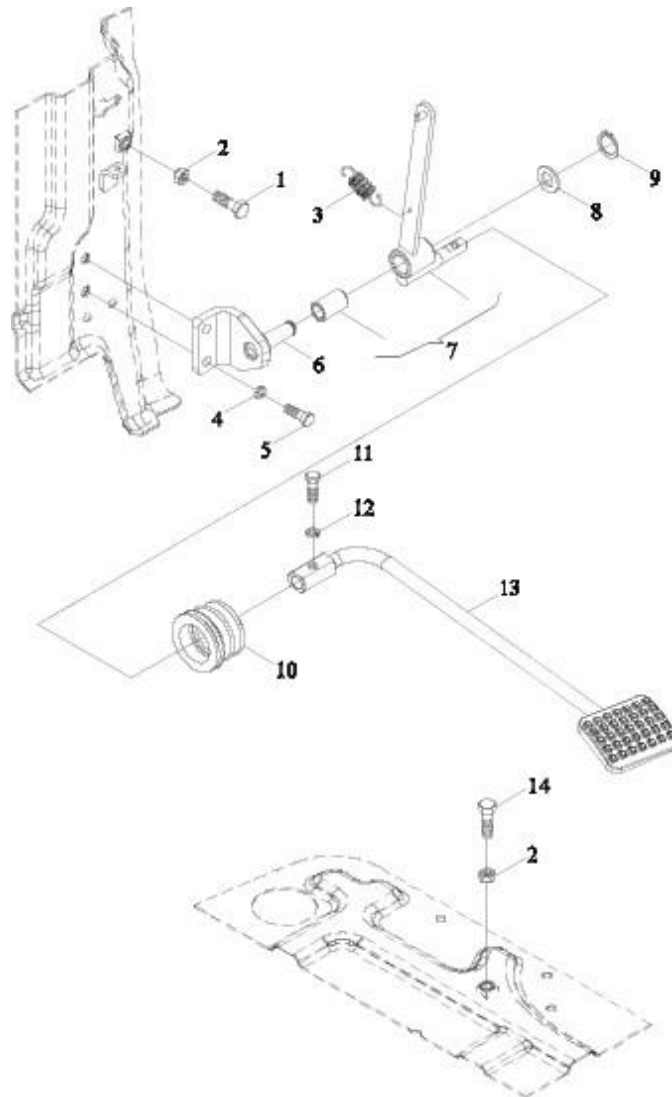
TS04201010000 HAND THROTTLE CONTROL ASSEMBLY



TS04201010000 HAND THROTTLE CONTROL ASSEMBLY

No.	Part No.	Description	Version	QTY.	Remark
	TS04201010000	HAND THROTTLE CONTROL ASSEMBLY		1	
1	TS06201010001	HANDLE ASSEMBLY		1	
2	GBT5783-M8X16-8.8-A2L	HEXAGON BOLT		2	
3	GBT93-8-A0P	STANDARD SPRING WASHER		2	
4	TS06201010002	GUIDE SEAT		1	
5	GBT5783-M6X20-8.8-A2L	HEXAGON BOLT		1	
6	GBT93-6-A0P	STANDARD SPRING WASHER		1	
7	TS04201010001	HAND THROTTLE CONTROL MECHANISM		1	
8	GBT5783-M10X25-8.8-A3L	HEXAGON BOLT		2	
9	GBT93-10-A0P	STANDARD SPRING WASHER		2	
10	GBT97.1-10-A0P	FLAT WASHER		2	

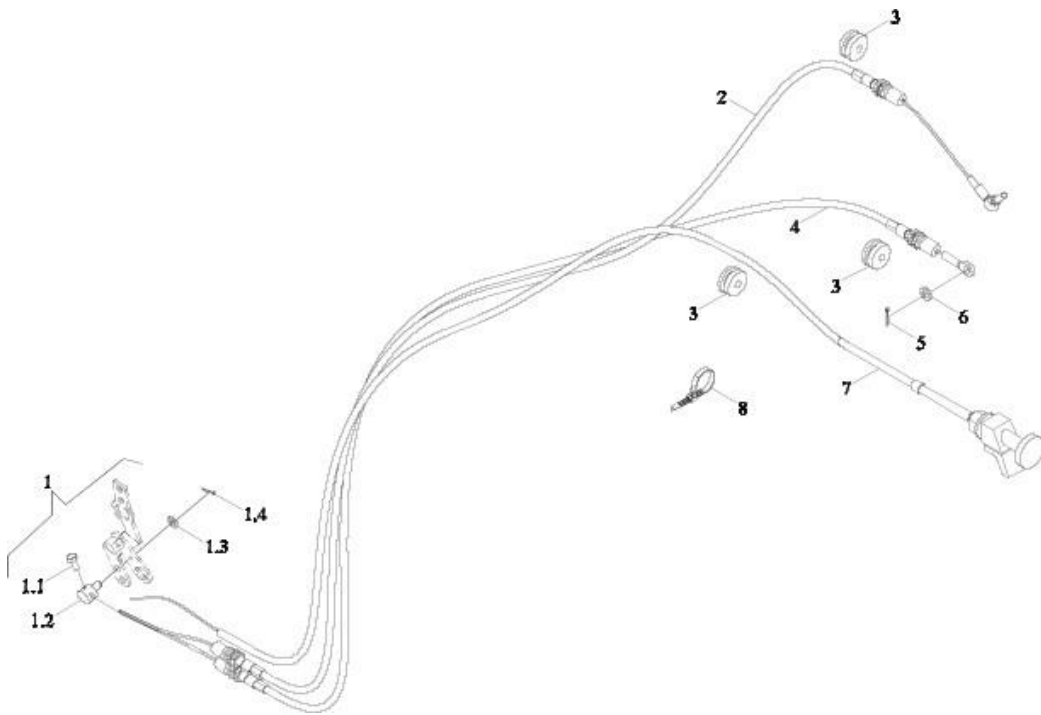
TS04202010000 FOOT THROTTLE CONTROL ASSEMBLY



TS04202010000 FOOT THROTTLE CONTROL ASSEMBLY

No.	Part No.	Description	Version	QTY.	Remark
	TS04202010000	FOOT THROTTLE CONTROL ASSEMBLY		1	
1	GBT5782-M8X45-8.8-A2L	HEXAGON BOLT		1	
2	GBT6170-M8-8-A2L	HEXAGON NUT, TYPE-1		2	
3	TB604.202A-01	RETURN SPRING		1	
4	GBT93-8-A0P	STANDARD SPRING WASHER		2	
5	GBT5783-M8X20-8.8-A2L	HEXAGON BOLT		2	
6	TS04202010003	BRACKET WELDMENT		1	
7	TS04202010002	ROTARY SHAFT BUSH		1	
8	GBT97.1-12-A0P	FLAT WASHER		1	
9	GBT894.1-12	CIRCLIP FOR SHAFT		1	
10	TB400.474E-01	DUSTPROOF SLEEVE		1	
11	GBT5783-M6X20-8.8-A2L	HEXAGON BOLT		1	
12	GBT93-6-A0P	STANDARD SPRING WASHER		1	
13	TS04202010001	FOOT PEDAL ROCKER WELDMENT		1	
14	GBT5783-M8X35-8.8-A2L	HEXAGON BOLT		1	

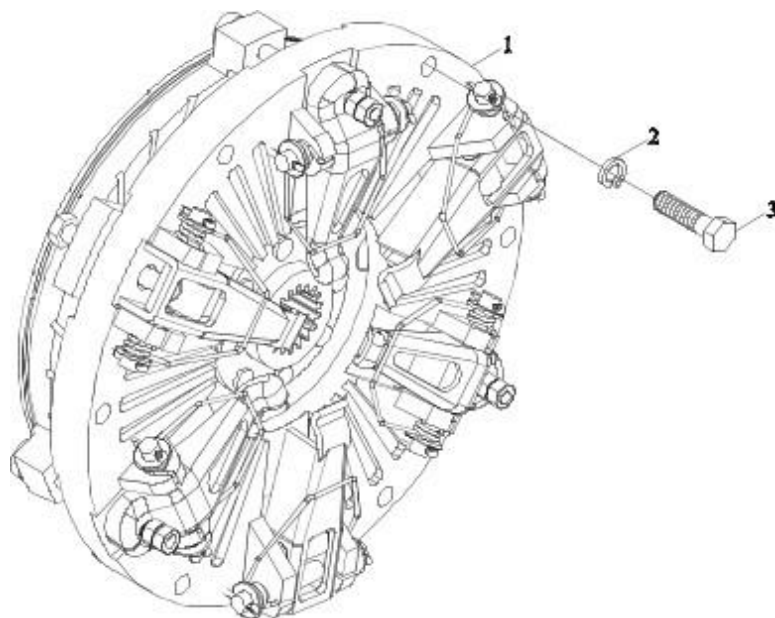
TS04203010000 PULL WIRE ASSEMBLY



TS04203010000 PULL WIRE ASSEMBLY

No.	Part No.	Description	Ver- sion	QTY.	Remark
	TS04203010000	PULL WIRE ASSEMBLY		1	
1	TF1354.203.1	FIXING SEAT UNIT		1	
2	TS04203010001	HAND THROTTLE WIRE ASSEMBLY		1	
3	TG1204.20A-02	THROUGH HARNESS WASHER		3	
4	TS04203010002	FOOT THROTTLE WIRE ASSEMBLY		1	
5	GBT91-2X12-A0P	SPLIT PIN		1	
6	GBT97.1-6-A0P	FLAT WASHER		1	
7	TS04203010003	EXTINGUISH WIRE ASSEMBLY		1	
8	Q67405100	PLASTIC FASTENING STRIP		999	

TB550. 211B CLUTCH ASSEMBLY-1



TB550. 211B CLUTCH ASSEMBLY-1

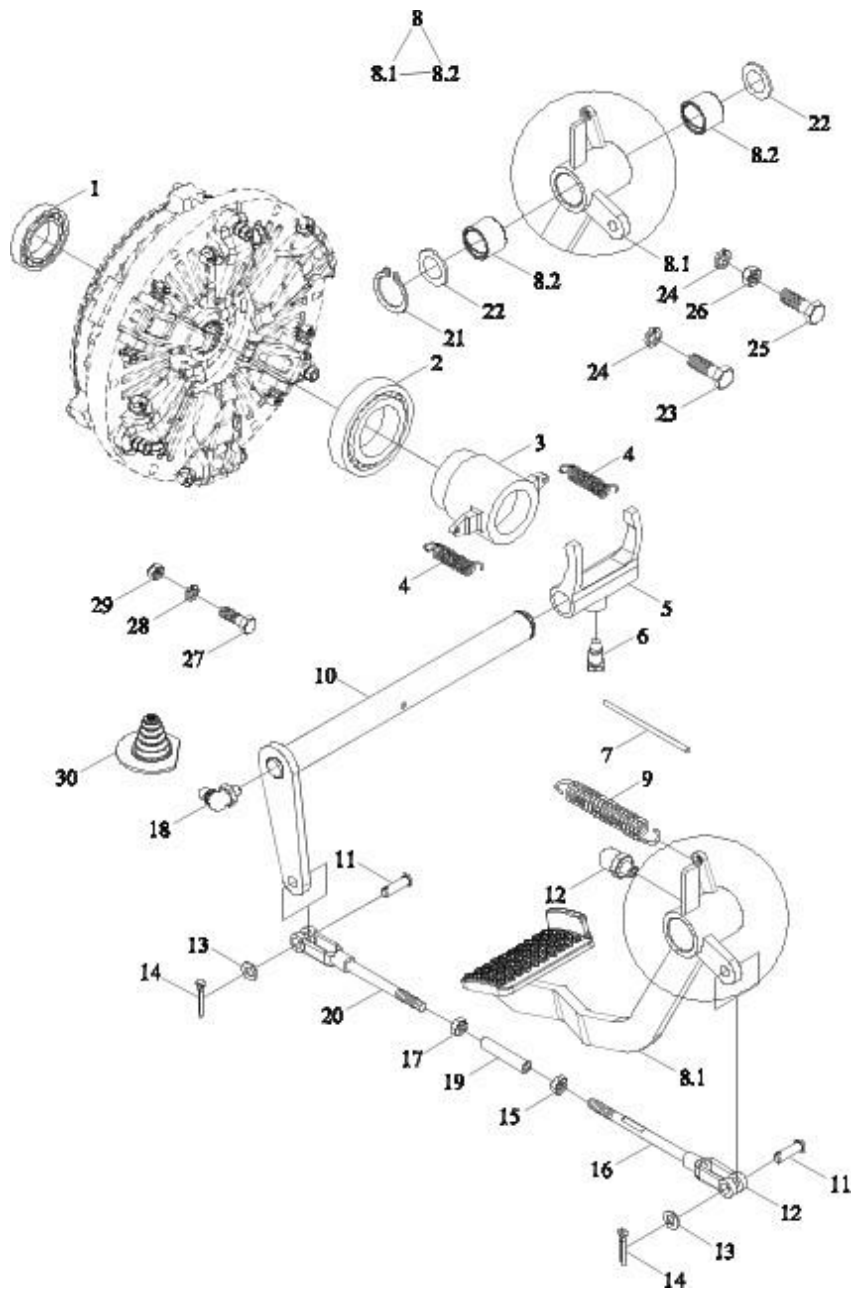
No.	Part No.	Description	Version	QTY.	Remark
	TB550.211B	CLUTCH ASSEMBLY		1	
1	TB550.211B.1	CLUTCH SUBASSEMBLY		1	
2	GBT93-8-A0P	SPRING WASHER		12	
3	TD800.212B-02	BOLT		12	

TB550. 211B CLUTCH ASSEMBLY-2

TB550. 211B CLUTCH ASSEMBLY-2

No.	Part No.	Description	Version	QTY.	Remark
	TB550.211B.1	CLUTCH SUBASSEMBLY		1	
1	T800-101	CLUTCH HOUSING		1	
2	HH800-416	MAT		3	
3	HH550-200	MAIN CLUTCH DRIVEN PLATE ASSEMBLY		1	
4	HH550-409	AUXILIARY RELEASE LEVER		3	
5	HH800-404	MAIN RELEASE LEVER		3	
6	HH800-403	TOP ROD		3	
7	GB6173	LOCKING NUT		3	
8	HH550-414	ADJUSTING SCREW		3	
9	HH800-102T	CLUTCH MAIN PRESSURE PLAT		1	
10	HH550-401	FILM SPRING		1	
11	HH800-402	MOUNTINGS RING		1	
12	HH800-103	CLUTCH AUXILIARY PRES- SURE PLATE		1	
13	HH550-300	AUXILIARY CLUTCH DRIV- EN PLATE ASSEMBLY		1	
14	HH800-413B	LOCKING NUT		3	
15	HH800-413A	NUT		3	
16	HH800-410A	PULL ROD		3	
17	HH800-406A	ASSISTANT RELEASE ROD SPRING		3	
18	HH800-405A	MAIN RELEASE LEVER SPRING		3	
19	HH800-408A	RELEASE ROD MOUNT- INGS PIN		6	
20	HH800-407A	RELEASE ROD MOUNT- INGS SHAFT		3	
21	HH800-411	TOP ROD BUSH		3	
22	HH800-412	RELEASE LEVER BUSH		6	
23	HH800-431	LOCKING SLEEVE		6	

TS0421206000K CLUTCH CONTROL ASSEMBLY



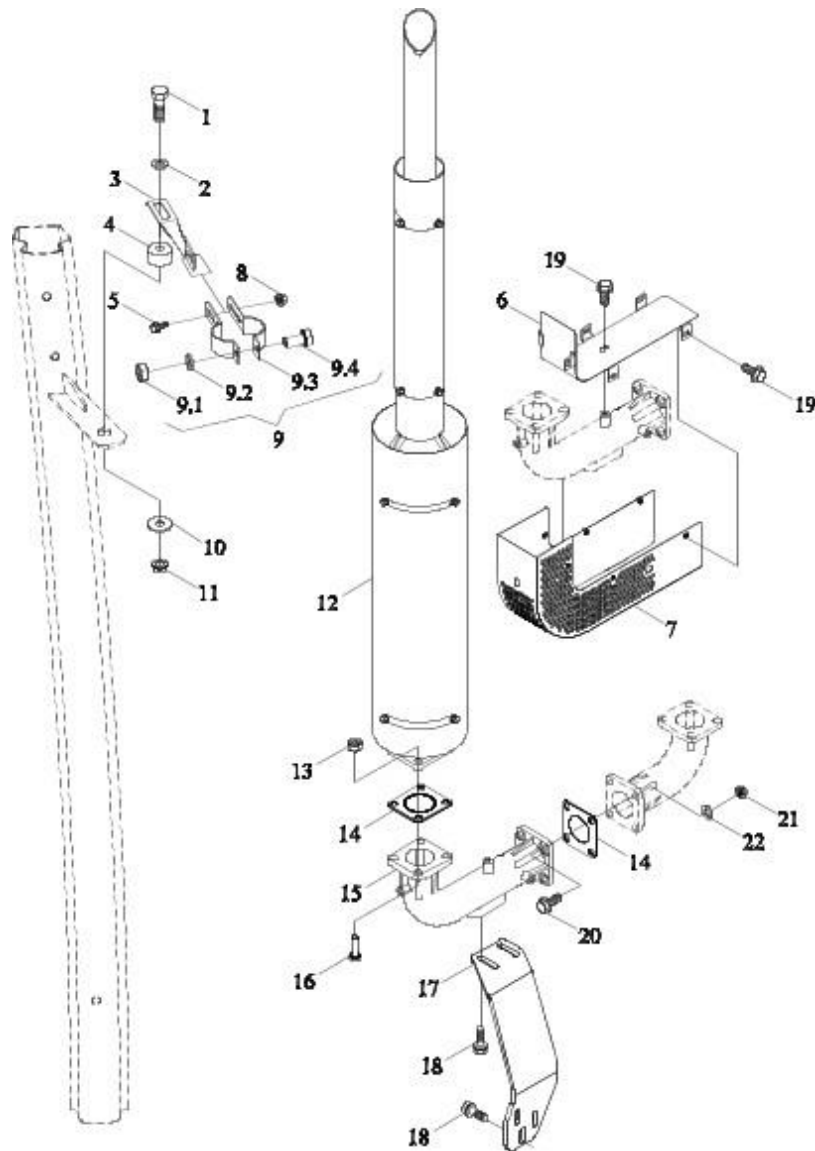
TS04212060000K CLUTCH CONTROL ASSEMBLY

No.	Part No.	Description	Version	QTY.	Remark
	TS04212060000K	CLUTCH CONTROL ASSEMBLY		1	
1	GBT276-6204-2RS	DEEP GROOVE BALL BEARING		1	
2	TA800.212-02	RELEASE BEARING 996713		1	
3	FT400.21B.101	RELEASE BEARING SEAT		1	
4	TB604.212-03	THRUST BEARING SEAT RETURN SPRING		2	
5	FT300.21.103	RELEASE FORK		1	
6	FT300.21.113	THRUST SCREW		1	
7	TA800.212B-02	LOW CARTON STEEL WIRE SZ-1.4		1	
8	TB604.212.1	CLUTCH PEDAL UNIT		1	
8.1	TB604.212.1.1	CLUTCH PEDAL WELDMENT		1	
8.2	FT300.37.159	RELEASE FORK SHAFT BUSH		2	
9	TD800.43-01	PEDAL RETURN SPRING		1	
10	TB604.212.3	CLUTCH ROCKER SHAFT WELDMENT		1	
11	GBT882-B10X32-A3L	PIN SHAFT		2	
12	JBT7940.1-M8X1	STRAIGHT FORCED FILLING OIL CUP		1	
13	GBT97.1-10-A3L	FLAT WASHER		2	
14	GBT91-3.2X20-A3L	SPLIT PIN		2	
15	GBT6171-M12X1.5-8-A3L	HEXAGON NUT, TYPE-1		1	
16	TB604.212A.5	UPPER PULL ROD WELDMENT		1	
17	GBT6171-M12X1.5-LH-8-A3L	HEXAGON NUT, TYPE-1		1	
18	JBT7940.2-90dM8X1	JOINT FILL OIL CUP		2	
19	TE354.433-03	CONNECTING ROD		1	
20	TB604.212.6	LOWER PULL ROD WELDMENT		1	
21	GBT894.1-25	CIRCLIP FOR SHAFT		1	
22	TE250.433C-02	GASKET		2	
23	GBT5783-M10X40-8.8-A3L	HEXAGON BOLT		6	
24	GBT93-10-A3L	STANDARD SPRING WASHER		7	

TS04212060000K CLUTCH CONTROL ASSEMBLY (cont' d.)

No.	Part No.	Description	Version	QTY.	Remark
25	GBT5783-M10X70-8.8-A2L	HEXAGON BOLT		1	
26	GBT6170-M10-8-A3L	HEXAGON NUT, TYPE-1		1	
27	GBT5783-M8X30-8.8-A2L	HEXAGON BOLT		1	
28	GBT93-8-A3L	STANDARD SPRING WASHER		1	
29	GBT6172.1-M8-04-A2L	HEXAGON THIN NUT		1	
30	TB604.212-02	DUSTPROOF SLEEVE		1	

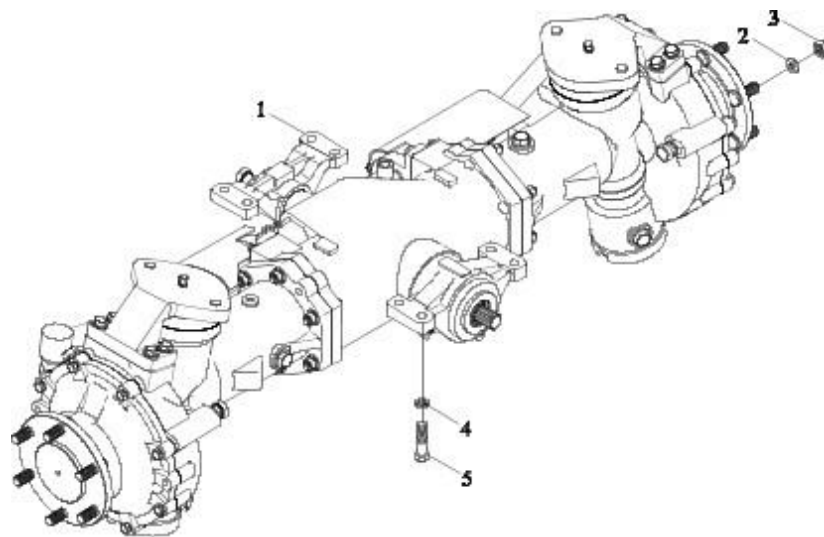
TS04220030000K EXHAUST SYSTEM ASSEMBLY



TS04220030000K EXHAUST SYSTEM ASSEMBLY

No.	Part No.	Description	Version	QTY.	Remark
	TS04220030000K	EXHAUST SYSTEM ASSEMBLY		1	
1	GBT5782-M12X50-8.8-A3L	HEXAGON BOLT		1	
2	GBT97.1-12-A3L	FLAT WASHER		1	
3	TD900.22B-04	PULL ROD		1	
4	TD900.22B-03	UPPER RUBBER GASKET		1	
5	GBT5789-M8X20-8.8-A2L	HEXAGON FLANGE NUT		2	
6	TS04220010011	UPPER SHIELD NET		1	
7	TS04220030001K	DOWN GUARD NET WELDMENT		1	
8	GBT6177.1-M8-8-A2L	HEXAGON FLANGE NUT		2	
9	TS04220010004	CLIP INSTALLATION ASSEMBLY		1	
10	GBT96.1-12-A3L	BIG WASHER		1	
11	SPL6177.1-M12-F3	HEXAGON FLANGE NUT		1	
12	TS04220010001	MUFFLER ASSEMBLY		1	
13	SPL6175PT-M10X1.5-8F3	HEXAGON SELF-LOCKING NUT, STYLE 2		4	
14	FT300.22.030	SEAL GASKET UNIT		2	
15	TS04220010002	EXHAUST BENDING PIPE 1		1	
16	GBT5783-M10X35-8.8-A3L	HEXAGON BOLT		4	
17	TS04220030001	BRACKET		1	
18	GBT5789-M10X20-8.8-A3L	HEXAGON FLANGE NUT		5	
19	GBT5789-M6X12-8.8-A2L	HEXAGON FLANGE NUT		7	
20	GBT5783-M10X40-8.8-A3L	HEXAGON BOLT		4	
21	GBT6170-M10-8-A3L	HEXAGON NUT, TYPE-1		4	
22	GBT93-10-A3L	STANDARD SPRING WASHER		4	

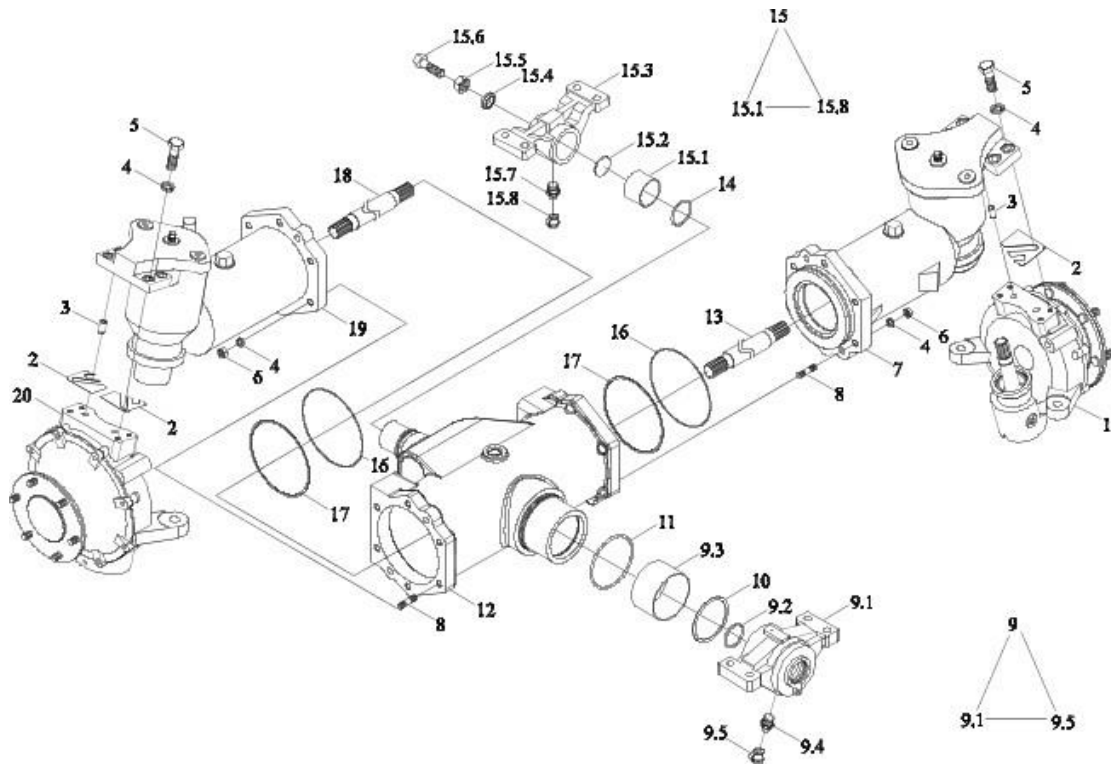
TC02311210000 FRONT DRIVING AXLE ASSEMBLY-1



TC02311210000 FRONT DRIVING AXLE ASSEMBLY-1

No.	Part No.	Description	Version	QTY.	Remark
	TC02311210000	FRONT DRIVING AXLE ASSEMBLY		1	
1	TC02311210001	FRONT DRIVING AXLE SUB-ASSEMBLY		1	
2	FT400.31B.103	WASHER		12	
3	GBT6176-M14X1.5-10-A3L	HEXAGON NUT, TYPE-2		12	
4	GBT93-14-A0P	STANDARD SPRING WASHER		8	
5	GBT5783-M14X45-10.9-A3L	HEXAGON BOLT		8	

TC02311210000 FRONT DRIVING AXLE ASSEMBLY-2



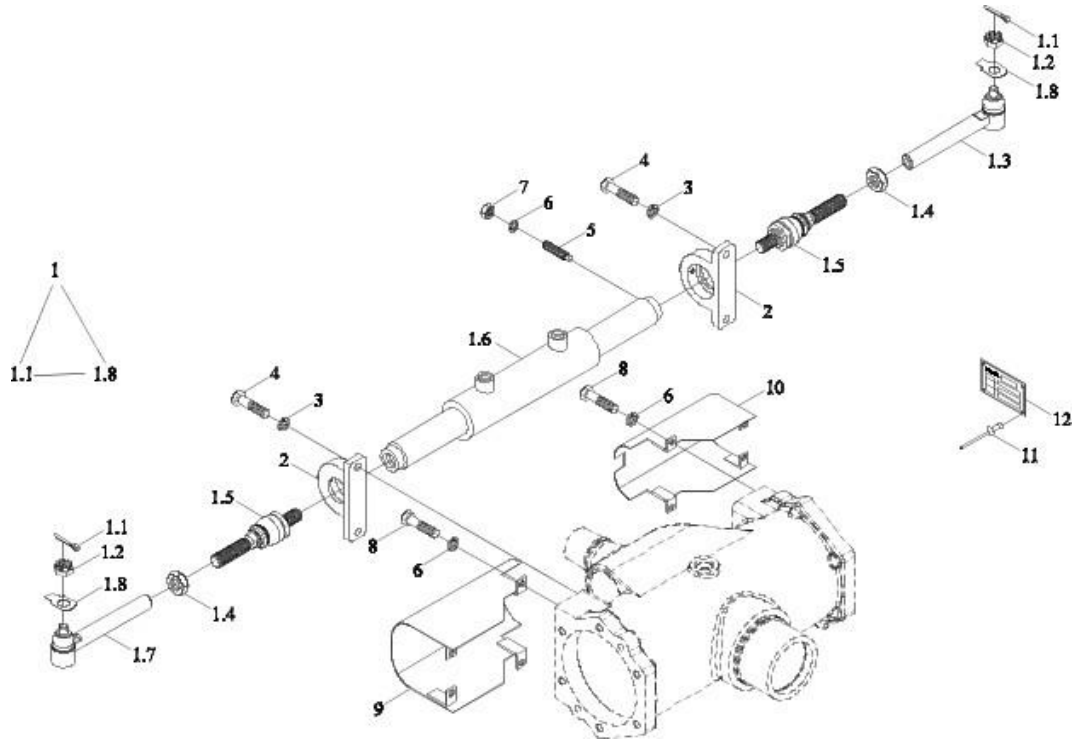
TC02311210000 FRONT DRIVING AXLE ASSEMBLY-2

No.	Part No.	Description	Version	QTY.	Remark
	TC02311210000	FRONT DRIVING AXLE ASSEMBLY		1	
1	TC02311020013	RIGHT FINAL TRANSMISSION ASSEMBLY		1	
2	TC02311010012	ADJUSTING GASKET		1	
3	GBT119.1-12m6X22-A0P	COLUMN PIN		1	
4	GBT93-12-A0P	STANDARD SPRING WASHER		8	
5	GBT5783-M12X40-10.9-A3L	HEXAGON BOLT		8	
6	GBT6170-M12-8-A3L	HEXAGON NUT, TYPE-1		12	
7	TC02311020003	RIGHT TRANSMISSION ASSEMBLY		1	
8	GBT5783-M12X45-10.9-A3L	HEXAGON BOLT		12	
9	TC02311010009	REAR BRACKET		1	
9.1	TC02311010071	REAR BRACKET		1	
9.2	GBT3452.1-45.0X3.55G	RUBBER O-SEAL RING		1	
9.3	TC02311010072	SLIDING BEARING		1	
9.4	JBT7940.1-M10X1	STRAIGHT FORCED FILLING OIL CUP		1	
9.5	TD800.311C.1-01	DUSTPROOF CAP OF OIL CUP		1	
10	TC02311010017	COPPER WASHER		1	
11	GBT3452.1-97.5X3.55G	RUBBER O-SEAL RING		1	
12	TC02311010002	MAIN REDUCER BOX ASSEMBLY		1	
13	TC02311020010	RIGHT HALF SHAFT		1	
14	GBT3452.1-48.7X2.65G	RUBBER O-SEAL RING		1	
15	TC02311010008	FRONT BRACKET ASSEMBLY		1	
15.1	TC02311010066	SLIDING BEARING		1	
15.2	TC02311010067	GASKET		1	
15.3	TC02311010065	FRONT BRACKET		1	
15.4	TC02311010068	SEAL GASKET		1	
15.5	GBT6170-M16-8-A3L	HEXAGON NUT, TYPE-1		1	
15.6	GBT5783-M16X50-8.8-A3L	HEXAGON BOLT		1	
15.7	JBT7940.1-M10X1	STRAIGHT FORCED FILLING OIL CUP		1	
15.8	TD800.311C.1-01	DUSTPROOF CAP OF OIL CUP		1	

TC02311210000 FRONT DRIVING AXLE ASSEMBLY-2 (cont' d.)

No.	Part No.	Description	Version	QTY.	Remark
16	GBT3452.1-136X3.55G	RUBBER O-SEAL RING		2	
17	TC02311010081	ADJUSTING WASHER		1	
18	TC02311020009	LEFT HALF SHAFT		1	
19	TC02311020002	LEFT TRANSMISSION ASSEMBLY		1	
20	TC02311020012	LEFT FINAL TRANSMISSION ASSEMBLY		1	

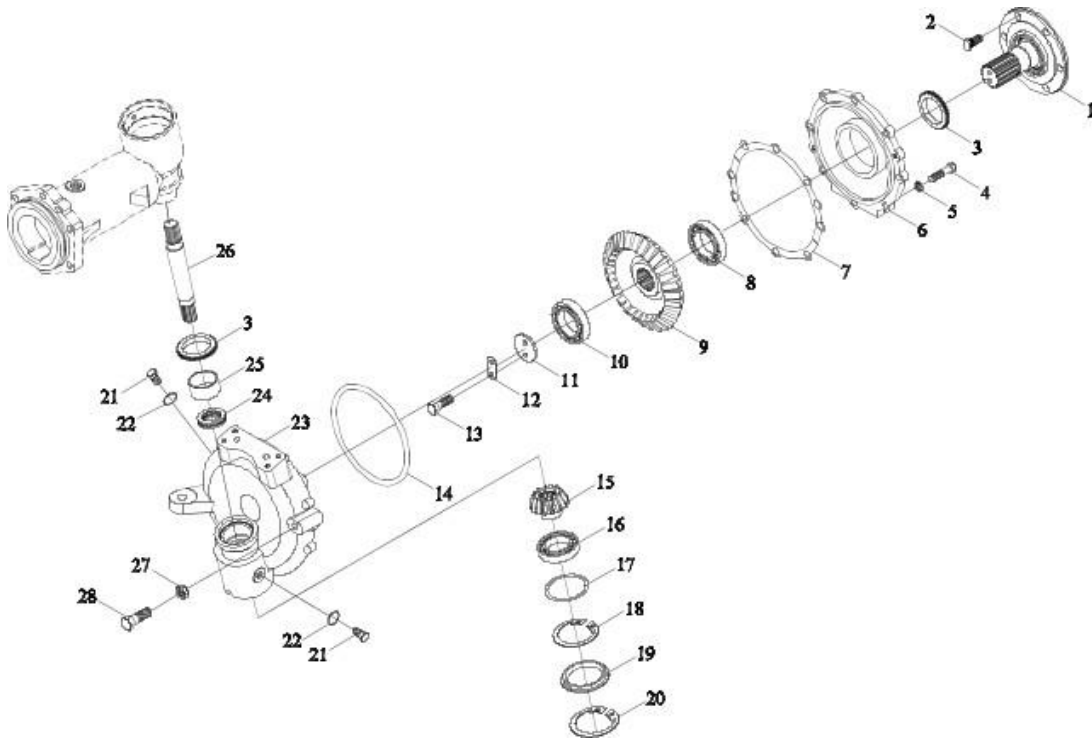
TC02311210000 FRONT DRIVING AXLE ASSEMBLY-3



TC02311210000 FRONT DRIVING AXLE ASSEMBLY-3

No.	Part No.	Description	Version	QTY.	Remark
	TC02311210000	FRONT DRIVING AXLE ASSEMBLY		1	
1	TC02311210003	STEERING OIL CYLINDER ASSEMBLY		1	
1.1	GBT91-3.2X40-A0P	SPLIT PIN		2	
1.2	TC02311010075	HEXAGON SLOTTED NUT		2	
1.3	TC02311020011	RIGHT STEERING CONNECTING		1	
1.4	GBT6173-M22X1.5-05-A3L	HEXAGON THIN NUT		2	
1.5	TC02311010077	JOINT		2	
1.6	TC02311170004	STEERING OIL CYLINDER		1	
1.7	TC02311020008	LEFT STEERING CONNECTING		1	
1.8	GBT854-22	STOPPING WASHER		2	
2	TC02311010085	OIL CYLINDER SUPPORT SEAT		2	
3	GBT93-12-A0P	STANDARD SPRING WASHER		4	
4	GBT5783-M12X35-10.9-A3L	HEXAGON BOLT		4	
5	GBT75-M8X35-14H-A2L	SLOTTED LOCKING SCREW		2	
6	GBT93-8-A0P	STANDARD SPRING WASHER		10	
7	TC02311020021	RIM BOLT COVER		12	
8	GBT5783-M8X16-8.8-A2L	HEXAGON BOLT		8	
9	TC02311170050	BONNET		2	
10	TC02311010015	BONNET		2	
11	GBT827-2.5X4-A0P	LABEL RIVET		4	
12	9F650-26B010004A0	NAME PLATE		1	

TC02311210000 FRONT DRIVING AXLE ASSEMBLY-4



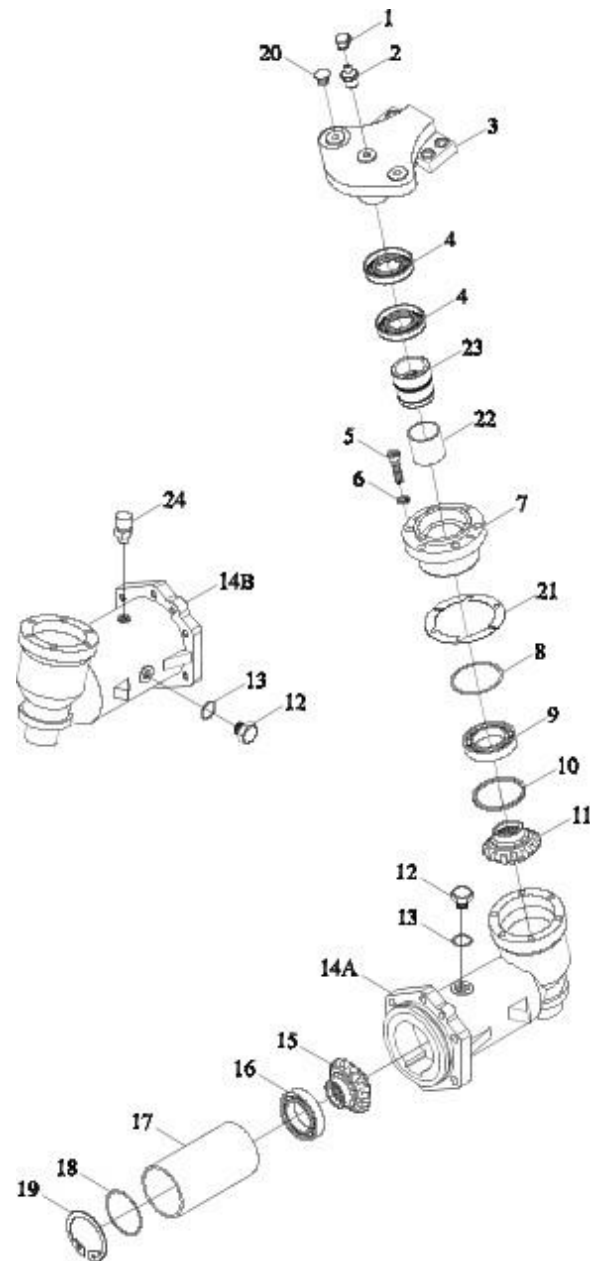
TC02311210000 FRONT DRIVING AXLE ASSEMBLY-4

No.	Part No.	Description	Version	QTY.	Remark
	TC02311210000	FRONT DRIVING AXLE ASSEMBLY		1	
	TC02311020012	LEFT FINAL TRANSMISSION ASSEMBLY		1	
	TC02311020013	RIGHT FINAL TRANSMISSION ASSEMBLY		1	
1	TC02311020014	FRONT DRIVING SHAFT		1	
2	TC02311020015	BOLT		6	
3	TC02311010032	FLOATING OIL SEAL		2	
4	GBT5783-M10X40-10.9-A3L	HEXAGON BOLT		8	
5	GBT93-10-A0P	STANDARD SPRING WASHER		8	
6	TC02311010050	BIG END COVER		1	
7	TC02311010060	ADJUSTING GASKET		1	
8	GBT276-6410	DEEP GROOVE BALL BEARING		1	
9	TC02311020019	BIG END GEAR		1	
10	GBT276-6310	DEEP GROOVE BALL BEARING		1	
11	TC02311010055	GASKET		1	
12	TC02311010054	LOCK WASHER		1	
13	GBT5783-M10X30-10.9-A3L	HEXAGON BOLT		2	
14	GBT3452.1-243X5.30G	RUBBER O-SEAL RING		1	
15	TC02311020020	END PINION		1	
16	GBT276-6308	DEEP GROOVE BALL BEARING		1	
17	TC02311010059	ADJUSTING GASKET		1	
18	GBT893.1-90	CIRCLIPS FOR HOLE		1	
19	TC02311010058	SEAL COVER		1	
20	GBT893.1-102	CIRCLIPS FOR HOLE		1	
21	TD904.311K.1-13	SCREW PLUG		2	
22	GBT3452.1-21.2X2.65G	RUBBER O-SEAL RING		2	
23	TC02311010048	RIGHT FINAL TRANSMISSION HOUSING		1	
23	TC02311010047	LEFT FINAL TRANSMISSION HOUSING		1	
24	GBT301-51107	THRUSTBEARING		1	
25	TC02311010057	BUSH		1	

TC02311210000 FRONT DRIVING AXLE ASSEMBLY-4 (cont' d.)

No.	Part No.	Description	Version	QTY.	Remark
26	TC02311010056	END SPLINE SHAFT		1	
27	GBT6172.1-M16-04-A3L	HEXAGON THIN NUT		1	
28	GBT5783-M16X40-10.9-A3L	HEXAGON BOLT		1	

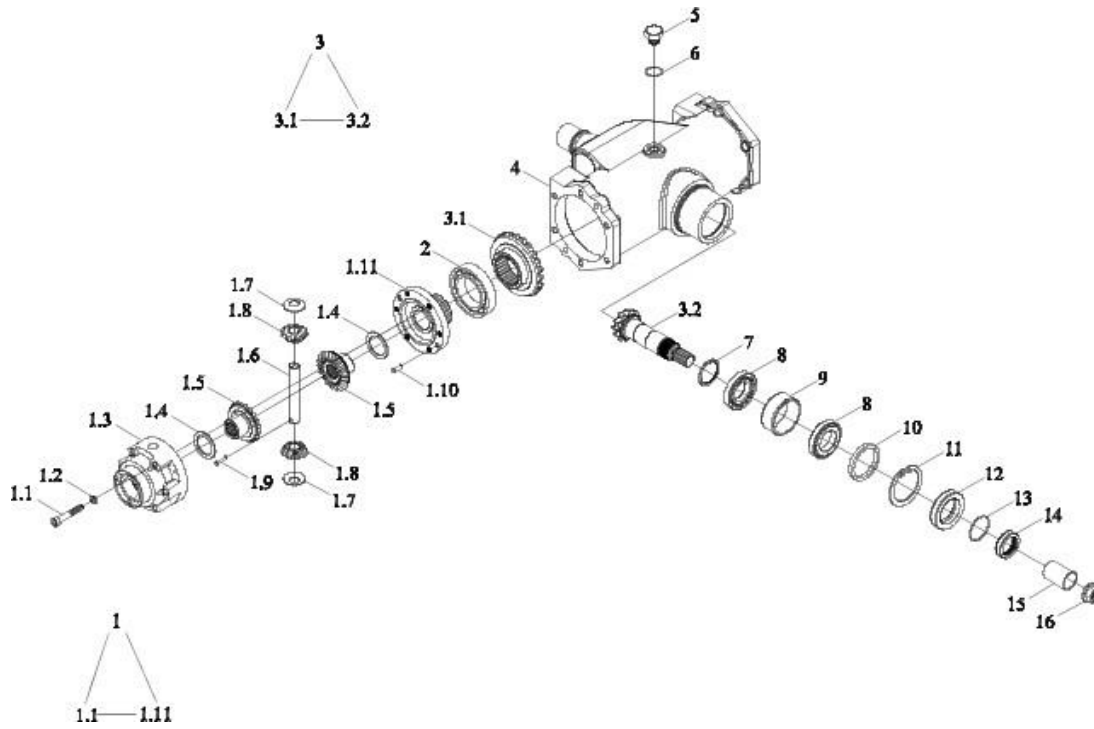
TC02311210000 FRONT DRIVING AXLE ASSEMBLY-5



TC02311210000 FRONT DRIVING AXLE ASSEMBLY-5

No.	Part No.	Description	Version	QTY.	Remark
	TC02311210000	FRONT DRIVING AXLE ASSEMBLY		1	
	TC02311020002	LEFT TRANSMISSION ASSEMBLY		1	
	TC02311020003	RIGHT TRANSMISSION ASSEMBLY		1	
1	TD800.311C.1-01	DUSTPROOF CAP OF OIL CUP		1	
2	JBT7940.1-M10X1	STRAIGHT FORCED FILLING OIL CUP		1	
3	TC02311010041	CONNECTING COVER		1	
4	GBT9877.1-FB65X85X10D	SEAL RING		2	
5	GBT70.1-M8X25-8.8	INNER HEXAGON SCREW		6	
6	GBT93-8-A0P	STANDARD SPRING WASHER		6	
7	TC02311010044	OIL SEAL END COVER		1	
8	GBT3452.1-92.5X5.30G	RUBBER O-SEAL RING		1	
9	GBT276-6211	DEEP GROOVE BALL BEARING		1	
10	TC02311010039	WASHER		1	
11	TC02311020018	GEAR		1	
12	TD904.311K.1-13	SCREW PLUG		1	
13	GBT3452.1-21.2X2.65G	RUBBER O-SEAL RING		1	
14	TC02311020006	RIGHT HALF SHAFT HOUSING		1	
14	TC02311020004	LEFT HALF SHAFT HOUSING BODY		1	
15	TC02311020017	DRIVING GEAR		1	
16	GBT276-6309	DEEP GROOVE BALL BEARING		1	
17	TC02311020005	SLEEVE		1	
18	TC02311010073	ADJUSTING WASHER		1	
19	GBT893.1-100	CIRCLIPS FOR HOLE		1	
20	TC02311010074	PLUG		2	
21	TC02311010040	ADJUSTING GASKET		1	
22	TC02311010043	SLIDING BEARING		1	
23	TC02311010042	BUSH		1	
24	TD904.311K.1.6	PLUG		1	

TC02311210000 FRONT DRIVING AXLE ASSEMBLY-6



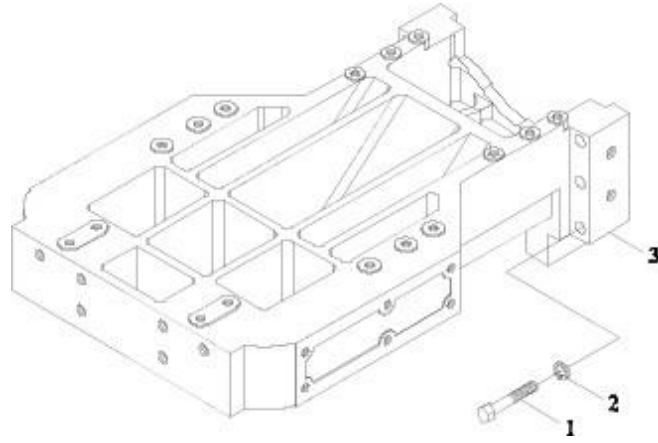
TC02311210000 FRONT DRIVING AXLE ASSEMBLY-6

No.	Part No.	Description	Ver- sion	QTY.	Remark
	TC02311210000	FRONT DRIVING AXLE ASSEMBLY		1	
	TC02311010002	MAIN REDUCER BOX ASSEMBLY		1	
1	TC02311010018	DIFFERENTIAL ASSEMBLY		1	
1.1	GBT70.1-M10X70-8.8	INNER HEXAGON SCREW		6	
1.2	GBT93-10	STANDARD SPRING WASHER		6	
1.3	TC02311010027	DIFFERENTIAL LEFT HOUSING		1	
1.4	TC02311010030	HALF SHAFT GEAR WASHER		2	
1.5	TC02311010035	HALF SHAFT GEAR		2	
1.6	TC02311010033	PLANET GEAR SHAFT		1	
1.7	TC02311010031	PLANET GEAR WASHER		2	
1.8	TC02311010034	PLANET GEAR		2	
1.9	GBT119.1-8h8X45-A0P	COLUMN PIN		1	
1.10	GBT119.1-8h8X20-A0P	COLUMN PIN		2	
1.11	TC02311010028	DIFFERENTIAL RIGHT HOUSING		1	
2	GBT276-6216	DEEP GROOVE BALL BEARING		2	
3	TC02311010026	GEAR		1	
3.1	TC02311010029	CENTRAL TRANSMISSION BIG SPIRAL BEVEL GEAR		1	
3.2	TC02311010020	DRIVING SPIRAL BEVEL GEAR SHAFT		1	
4	TC02311010019	MAIN REDUCER BOX HOUSING		1	
5	TD904.311K.1-13	SCREW PLUG		1	
6	GBT3452.1-21.2X2.65G	RUBBER O-SEAL RING		1	
7	TC02311010083	ADJUSTING GASKET		1	
8	GBT297-32208	TAPERED ROLLER BEARING		2	
9	TC02311010022	SPACER BUSH		1	
10	TC02311010023	ADJUSTING GASKET		1	
11	GBT893.1-80	CIRCLIPS FOR HOLE		1	
12	GBT9877.1-FB55X80X8D	SEAL RING		1	
13	GBT3452.1-41.2X3.55G	RUBBER O-SEAL RING		1	

TC02311210000 FRONT DRIVING AXLE ASSEMBLY-6 (cont' d.)

No.	Part No.	Description	Version	QTY.	Remark
14	TC02311010025	OIL SEAL SEAT		1	
15	TC02311010024	PROTECTION BUSH		1	
16	TC02311010088	LOCKING NUT		1	

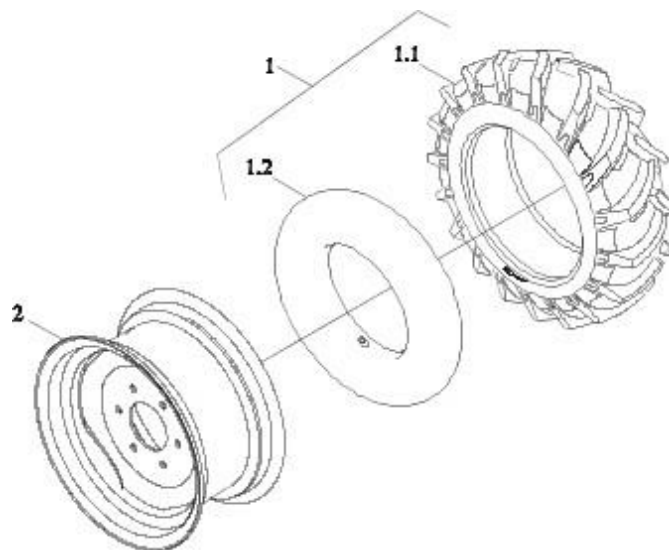
TB554. 312 FRONT BRACKET ASSEMBLY



TB554. 312 FRONT BRACKET ASSEMBLY

No.	Part No.	Description	Ver- sion	QTY.	Remark
1	TC02312010002	BOLT		6	
2	TB604.312-04	WASHER		6	
3	TB554.312-01	FRONT BRACKET		1	

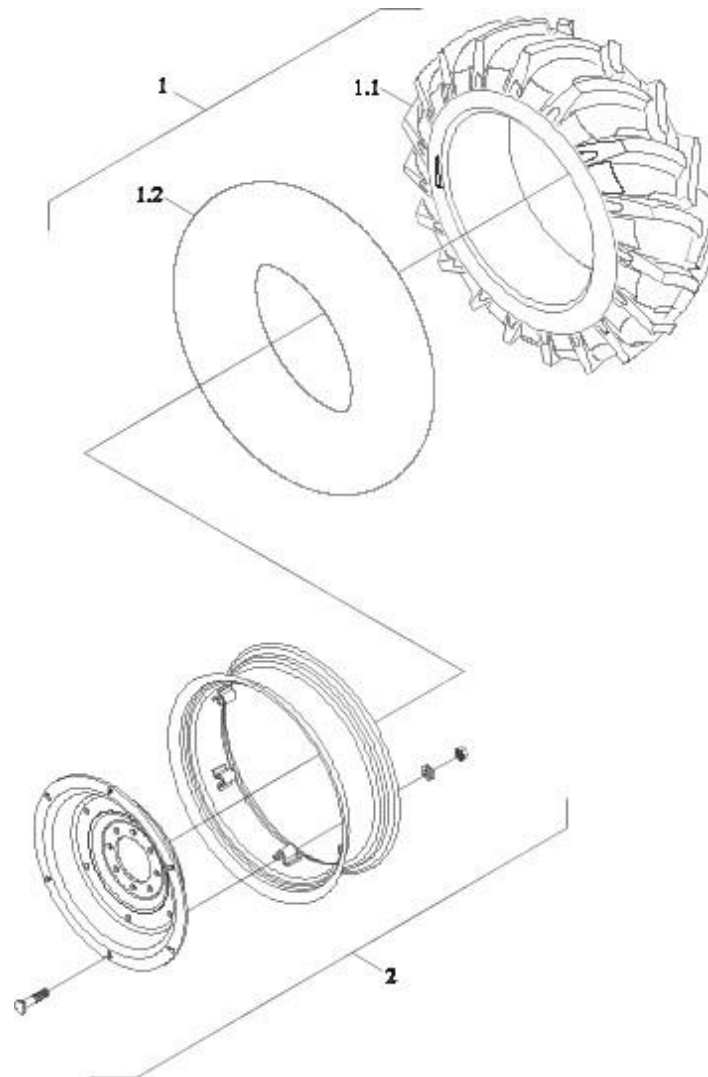
TS04320050000K FRONT DRIVING WHEEL ASSEMBLY



TS04320050000K FRONT DRIVING WHEEL ASSEMBLY

No.	Part No.	Description	Version	QTY.	Remark
	TS04320050000K	FRONT DRIVING WHEEL ASSEMBLY		1	
1	TS04320050003K	TIRES ASSEMBLY		1	
1.1	GBT2979-9.5-20-10PR-R	COVER TIRE		1	
1.2	GBT2979-9.5-20-R	DRIVING WHEEL INNER TUBE		1	
2	TS04320040002K	RIM WELDMENT		1	

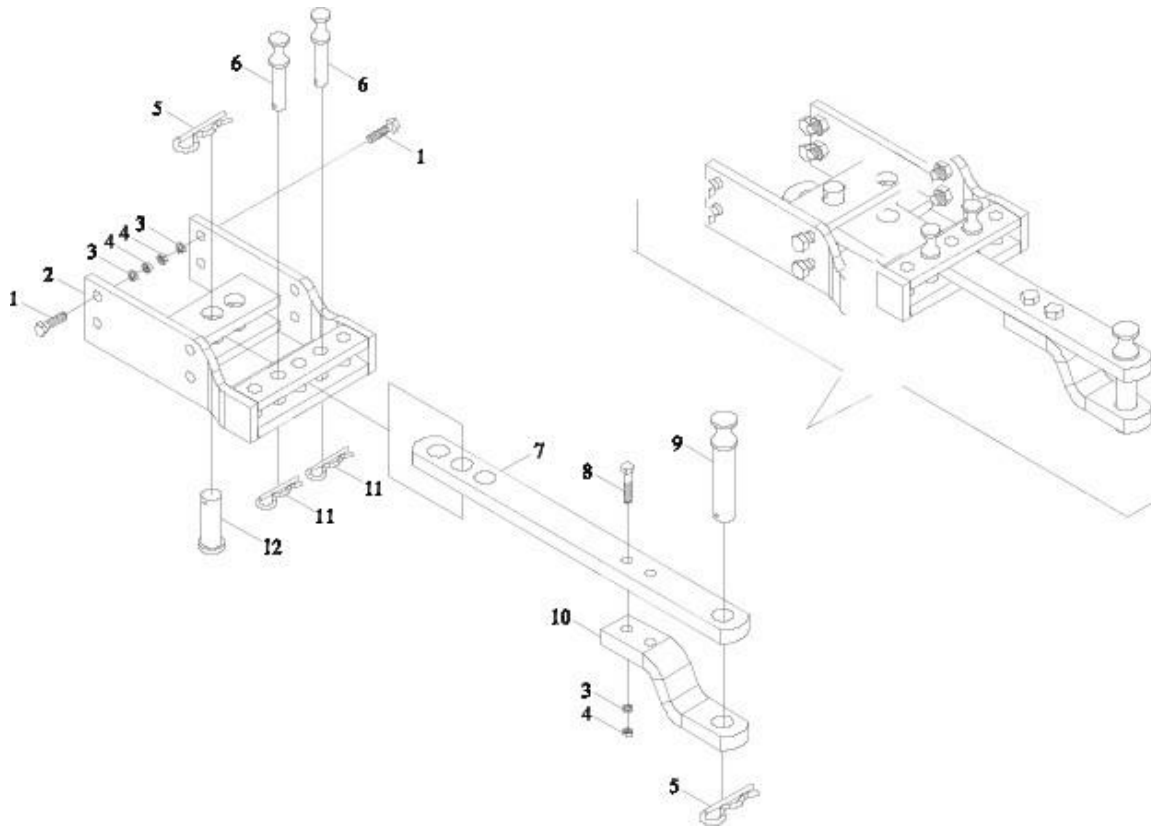
TS04340050000K REAR DRIVING WHEEL ASSEMBLY



TS04340050000K REAR DRIVING WHEEL ASSEMBLY

No.	Part No.	Description	Version	QTY.	Remark
	TS04340050000K	REAR DRIVING WHEEL ASSEMBLY		1	
1	TS04340050001K	TIRES ASSEMBLY		1	
1.1	GBT2979-14.9-28-10PR-R	COVER TIRE		1	
1.2	GBT2979-14.9-28-R	DRIVING WHEEL INNER TUBE		1	
2	FT550.34F.011	RIM SPOKE ASSEMBLY		1	

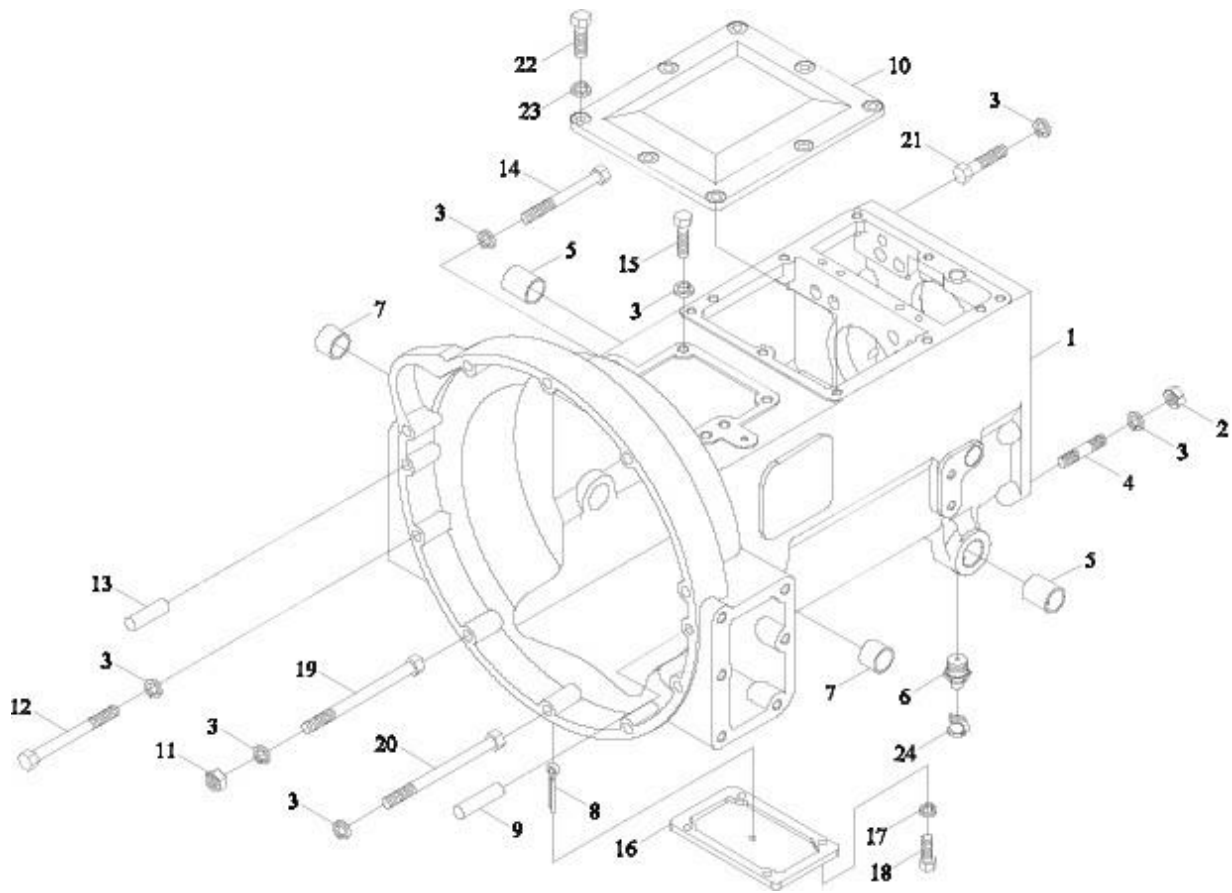
FT300. 35A. 001 TOWING MECHANISM ASSEMBLY



FT300.35A.001 TOWING MECHANISM ASSEMBLY

序号	零件图号	零件名称	版本	数量	备注
	FT300.35A.001	牵引机构总成		1	
1	GBT5783-M16X60-10.9-A3L	螺栓		8	
2	FT300.35A.012a	牵引架焊合		1	
3	GBT93-16-A0P	垫圈		10	
4	GBT6170-M16-8-A3L	螺母		10	
5	FT65.53.103	弹性锁销		2	
6	FT300.35A.104	定位销		2	
7	FT300.35A.102	摆杆		1	
8	TB400.35.1-03	螺栓		2	
9	FT300.35A.105	摆销		1	
10	FT300.35A.101	连接摆杆		1	
11	FT300.35A.131	锁销		2	
12	FT300.35A.103	连接销		1	

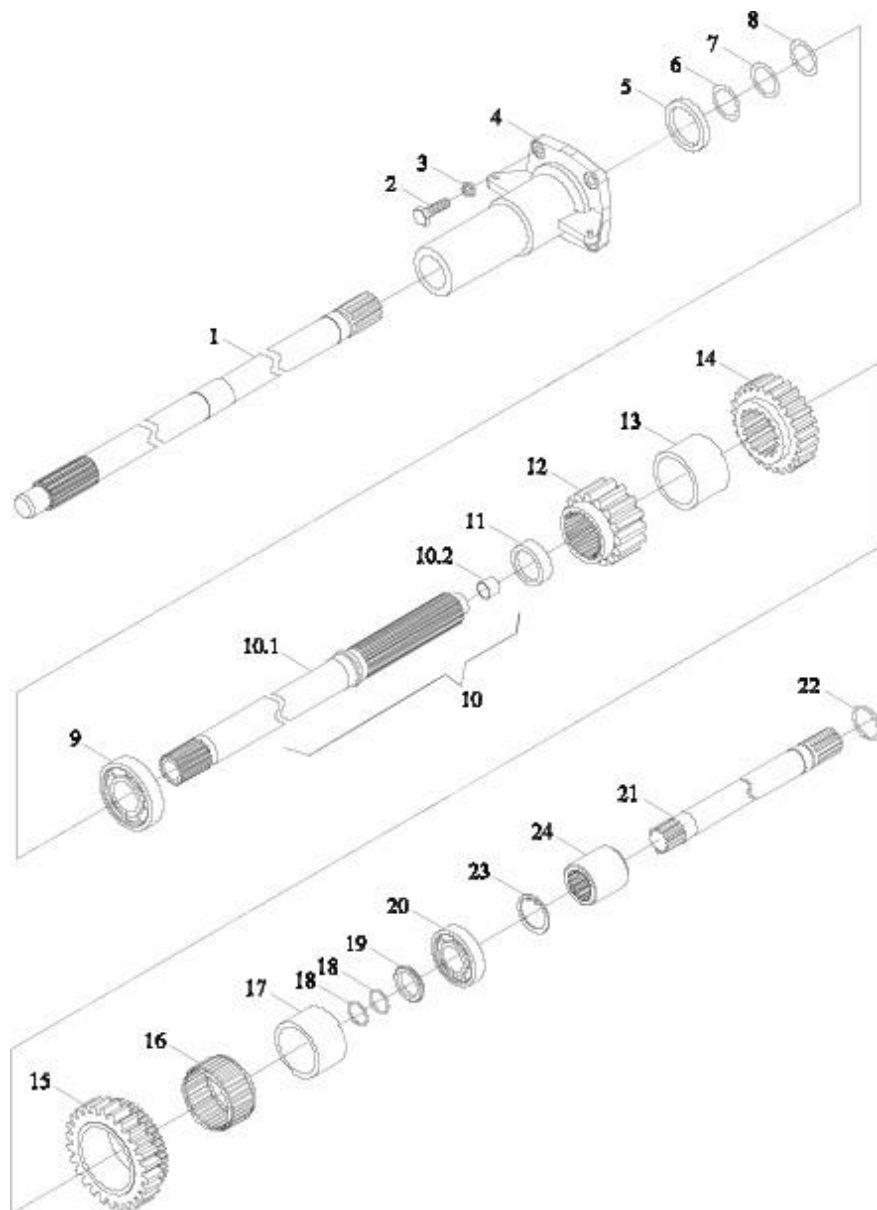
TB604. 371 GEARBOX HOUSING ASSEMBLY



TB604. 371 GEARBOX HOUSING ASSEMBLY

No.	Part No.	Description	Ver- sion	QTY.	Remark
	TB604.371	GEARBOX HOUSING ASSEMBLY		1	
1	TB604.371-01	GEARBOX HOUSING		1	
2	GBT6171-M12X1.5-8-A3L	NUT		10	
3	GBT93-12-A0P	WASHER		24	
4	GBT899-AM12-M12X1.5X35-8.8-A3L	STUD		10	
5	FT300.37.158	PEDAL SHAFT BUSH		2	
6	JBT7940.1-M10X1	OIL CUP		2	
7	FT300.37.159	RELEASE FORK SHAFT BUSH		2	
8	GBT91-5X32-A0P	SPLIT PIN		1	
9	GBT119.1-12m6X30-A0P	PIN		3	
10	TB604.371-02	GEARBOX UPPER COVER		1	
11	GBT6170-M12-8-A3L	NUT		3	
12	GBT5782-M12X110-8.8-A2L	BOLT		1	
13	GBT119.1-12m6X22-A0P	PIN		1	
14	GBT5782-M12X70-8.8-A2L	BOLT		2	
15	GBT5783-M12X35-8.8-A3L	BOLT		4	
16	TB400.371E-03	LOWER PLUG COVER		1	
17	GBT93-10-A0P	WASHER		4	
18	GBT5783-M10X25-8.8-A3L	BOLT		4	
19	TB550.371-01-M12X160	BOLT		3	
20	TB550.371-02-M12X125	BOLT		1	
21	GBT5785-M12X1.5X55-8.8-A3L	HEXAGON BOLT		2	
22	GBT5783-M8X20-8.8-A2L	HEXAGON BOLT		8	
23	GBT93-8-A0P	STANDARD SPRING WASHER		8	
24	TD800.311C.1-01	DUSTPROOF CAP OF OIL CUP		2	

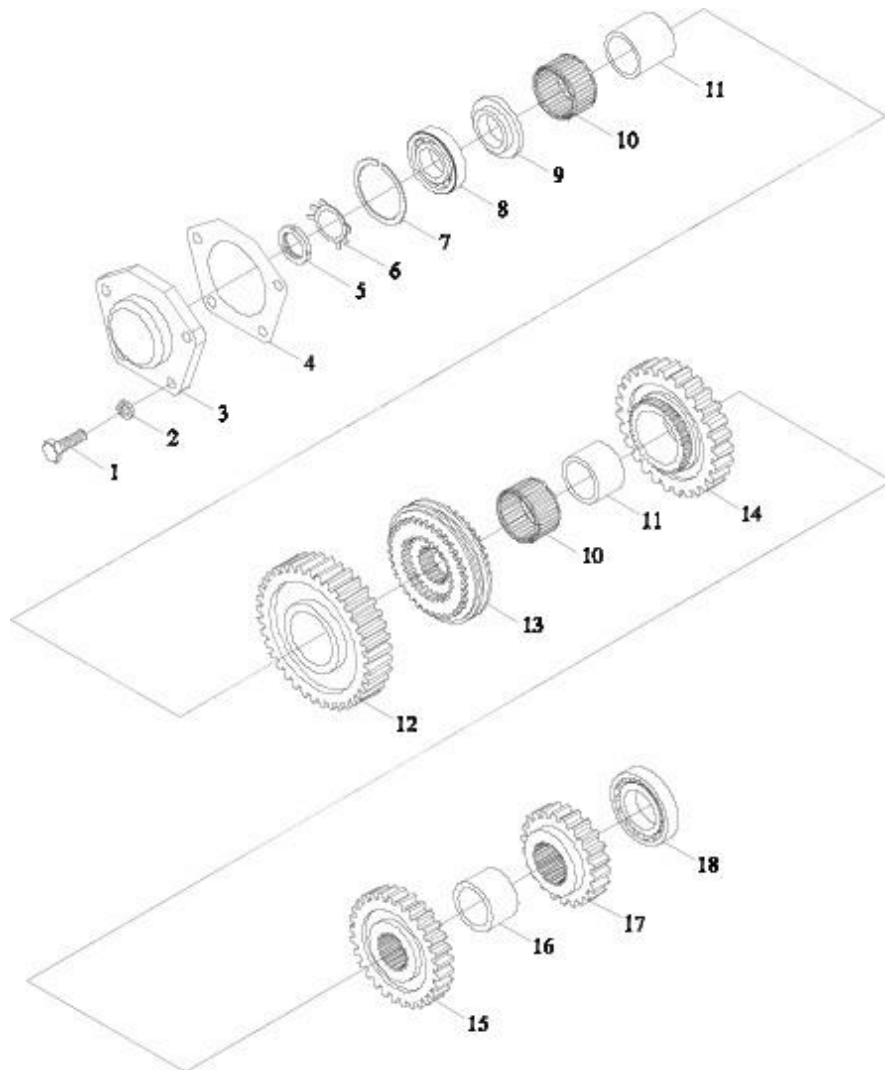
TB604. 372T MAIN GEARSHIFT ASSEMBLY-1



TB604. 372T MAIN GEARSHIFT ASSEMBLY-1

No.	Part No.	Description	Ver- sion	QTY.	Remark
	TB604.372T	MAIN GEARSHIFT ASSEMBLY		1	
1	FT400.37B.201	AUXILIARY CLUTCH SHAFT		1	
2	GBT5783-M8X25-8.8-A2L	HEXAGON BOLT		4	
3	GBT93-8-A0P	WASHER		4	
4	FT300.37B.124	SHAFT I BEARING COVER		1	
5	GBT9877.1-FB40X62X8D	SEAL RING		1	
6	TB604.372T-12	I SHAFT ADJUSTING WASHER		999	
7	TB604.372T-13	I SHAFT ADJUSTING WASHER		999	
8	TB604.372T-14	I SHAFT ADJUSTING WASHER		999	
9	GBT276-6208	BEARING		1	
10	TB604.372T.1	SHAFT I UNIT		1	
10.1	TB604.372T.1-01	SHAFT I		1	
10.2	FT300.37.170	BUSH		1	
11	TB604.372T-15	I GEAR SPACER		1	
12	TB604.372T-01	I DRIVING GEAR		1	
13	TB604.372T-02	I-II GEAR SPACER		1	
14	TB604.372T-03	II DRIVING GEAR		1	
15	TB604.372T-05	III DRIVING GEAR		1	
16	TB604.372T-17	ROLLER NEEDLE BEARING K47X52X28		1	
17	TB604.372T-16	III GEAR BUSH		1	
18	GBT3452.1-23.6X1.80G	O-RING		2	
19	TB604.372T-04	RETAINER RING		1	
20	GBT276-6007	BEARING		1	
21	FT300.37J.137	PTO CONNECTING SHAFT		1	
22	GBT895.2-24	RETAINER RING		1	
23	GBT893.1-21	CIRCLIPS FOR HOLE		1	
24	FT300.37.136	CONNECTING SLEEVE		1	

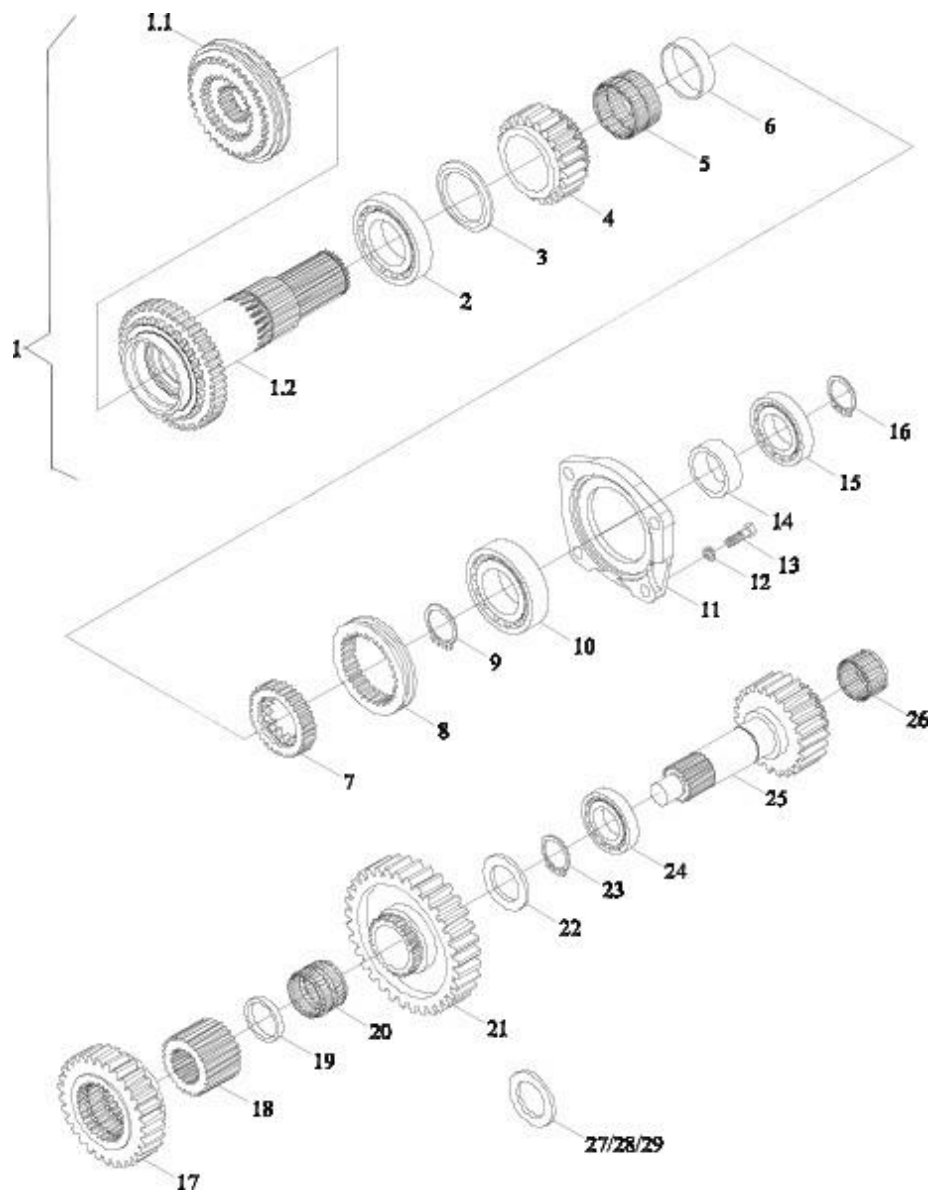
TB604. 372T MAIN GEARSHIFT ASSEMBLY-2



TB604. 372T MAIN GEARSHIFT ASSEMBLY-2

No.	Part No.	Description	Version	QTY.	Remark
	TB604.372T	MAIN GEARSHIFT ASSEMBLY		1	
1	GBT5783-M8X25-8.8-A2L	HEXAGON BOLT		4	
2	GBT93-8-A0P	WASHER		4	
3	FT300.37.120	SHAFT II BEARING COVER		1	
4	FT300.37.119	SHAFT II BEARING COVER PAPER GASKET		1	
5	GBT812-M24X1.5	NUT		1	
6	GBT858-24	WASHER		1	
7	GBT305-72-78.6	THRUST RING		1	
8	GBT276-6306N	BEARING		1	
9	TB604.372T-11	SHAFT II END RETAINER RING		1	
10	TB550.372-05	ROLLER NEEDLE BEARING K43X49X30		2	
11	FT300.37M.114	I-II GEAR BUSH		2	
12	TB604.372T-10	I DRIVEN GEAR		1	
13	TE354.361T.3	SYNCHRONIZER ASSEMBLY		1	
14	TB604.372T-09	II DRIVEN GEAR		1	
15	TB604.372T-07	III DRIVEN GEAR		1	
16	FT300.37.110	III-IV GEAR SPACER		1	
17	TB604.372T-06	IV DRIVEN GEAR		1	
18	GBT283-NUP208E	BEARING		1	

TB604. 373T AUXILIARY GEARSHIFT ASSEMBLY



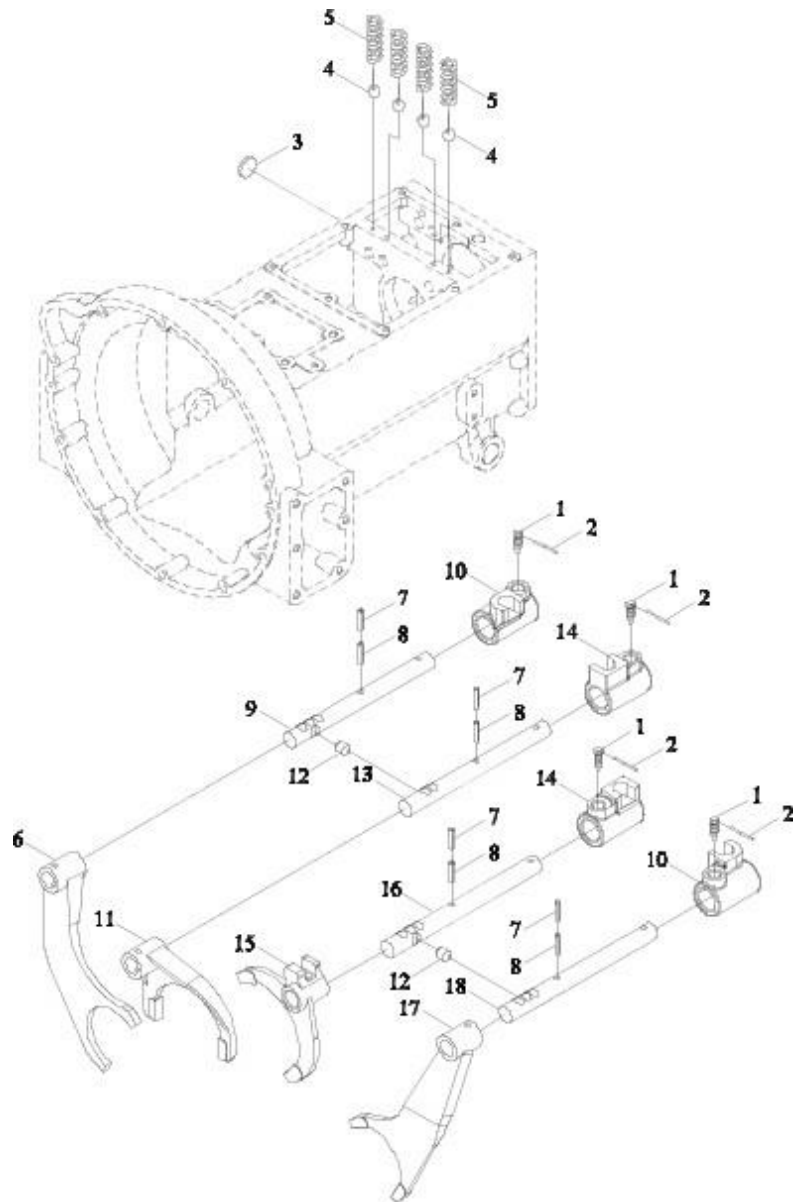
TB604. 373T AUXILIARY GEARSHIFT ASSEMBLY

No.	Part No.	Description	Ver- sion	QTY.	Remark
	TB604.373T	AUXILIARY GEARSHIFT ASSEMBLY		1	
1	TB604.373T.4	SYNCHRONIZER ASSEMBLY		1	
1.1	TB604.372T.3	SYNCHRONIZER ASSEMBLY		1	
1.2	TB604.373T.3	CONE RING WELDMENT		1	
2	GBT283-NUP210E	BEARING		1	
3	TB550.373-02	RETAINER RING		1	
4	TB550.373-03b	MIDDLE GEAR DRIVING GEAR		1	
5	TB550.373-12	ROLLING BEARING KK50X55X30		1	
6	TB550.373-04b	SPACER BUSH		1	
7	TB550.373-05b	MIDDLE GEAR MESHING GEAR SEAT		1	
8	TB550.373-06a	MIDDLE GEAR SHIFT COLLAR		1	
9	GBT894.1-50	RETAINER RING		1	
10	GBT283-NUP308E	BEARING		1	
11	FT300.37.139	AUXILIARY GEARSHIFT BEARING COVER		1	
12	GBT93-10-A0P	WASHER		4	
13	GBT5783-M10X30-8.8-A3L	HEXAGON BOLT		4	
14	FT300.37J.180	SPACER BUSH		1	
15	GBT283-NF208	BEARING		1	
16	GBT894.1-40	RETAINER RING		1	
17	TB550.373-08	MIDDLE GEAR DRIVEN GEAR		1	
18	TB550.373-09	REVERSE GEAR MESHING SEAT		1	
19	FT300.37.111	SPACER BUSH		1	
20	QLWZB120-K35X43X34ZW	ROLLER NEEDLE BEARING		1	
21	FT450.37.103	AUXILIARY GEARSHIFT DRIVEN GEAR		1	
22	TB550.373-11a	LIMITING RETAINER RING		1	
23	GBT894.1-35	RETAINER RING		1	
24	GBT283-NUP307E	BEARING		1	
25	TB550.373-16	AUXILIARY GEARSHIFT DRIVEN SHAFT		1	

TB604. 373T AUXILIARY GEARSHIFT ASSEMBLY (cont' d.)

No.	Part No.	Description	Ver- sion	QTY.	Remark
26	GBT20056-K25X31X20	NEEDLE AND CARRIER COMBINATION		1	
27	TB550.373-15	LIMITING RETAINER RING		1	
28	TB550.373-13	LIMITING RETAINER RING		1	
29	TB550.373-14	LIMITING RETAINER RING		1	

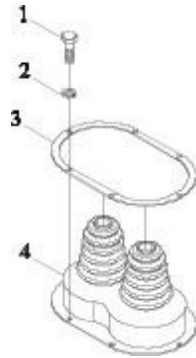
TS04374010000 GEARBOX CONTROL MECHANISM ASSEMBLY-1



TS04374010000 GEARBOX CONTROL MECHANISM ASSEMBLY-1

No.	Part No.	Description	Version	QTY.	Remark
	TS04374010000	GEARBOX CONTROL MECHANISM ASSEMBLY		1	
1	TB504.374-01	LOCKING SCREW		4	
2	TF1004.374-02	LOW CARBON STEEL WIRE		2	
3	Q72214	PLUG PIECE		2	
4	GBT308-8-G100-b	STEEL BALL		4	
5	FT300.37.135	FORK SHAFT LOCATING SPRING		4	
6	TB550.374-03a	HIGH AND LOW GEAR FORK		1	
7	GBT879.1-3X24	SPRING COLUMN PIN		4	
8	GBT879.1-5X24	SPRING COLUMN PIN		4	
9	TB604.374B-03	HIGH AND LOW GEAR FORK SHAFT		1	
10	TB604.374B-05	I-II GEAR FORK HEAD		2	
11	TB550.374-04a	MIDDLE GEAR FORK		1	
12	FT300.37.151	MUTUAL PIN		2	
13	TB604.374B-04	MIDDLE GEAR FORK SHAFT		1	
14	TB604.374B-06	Ⅲ-IV FORK HEAD		2	
15	TB604.374A-01	Ⅲ-IV FORK		1	
16	TB604.374B-02	Ⅲ-IV FORK SHAFT		1	
17	TB604.374A-04	I-II GEAR FORK		1	
18	TB604.374B-01	I-II GEAR FORK SHAFT		1	

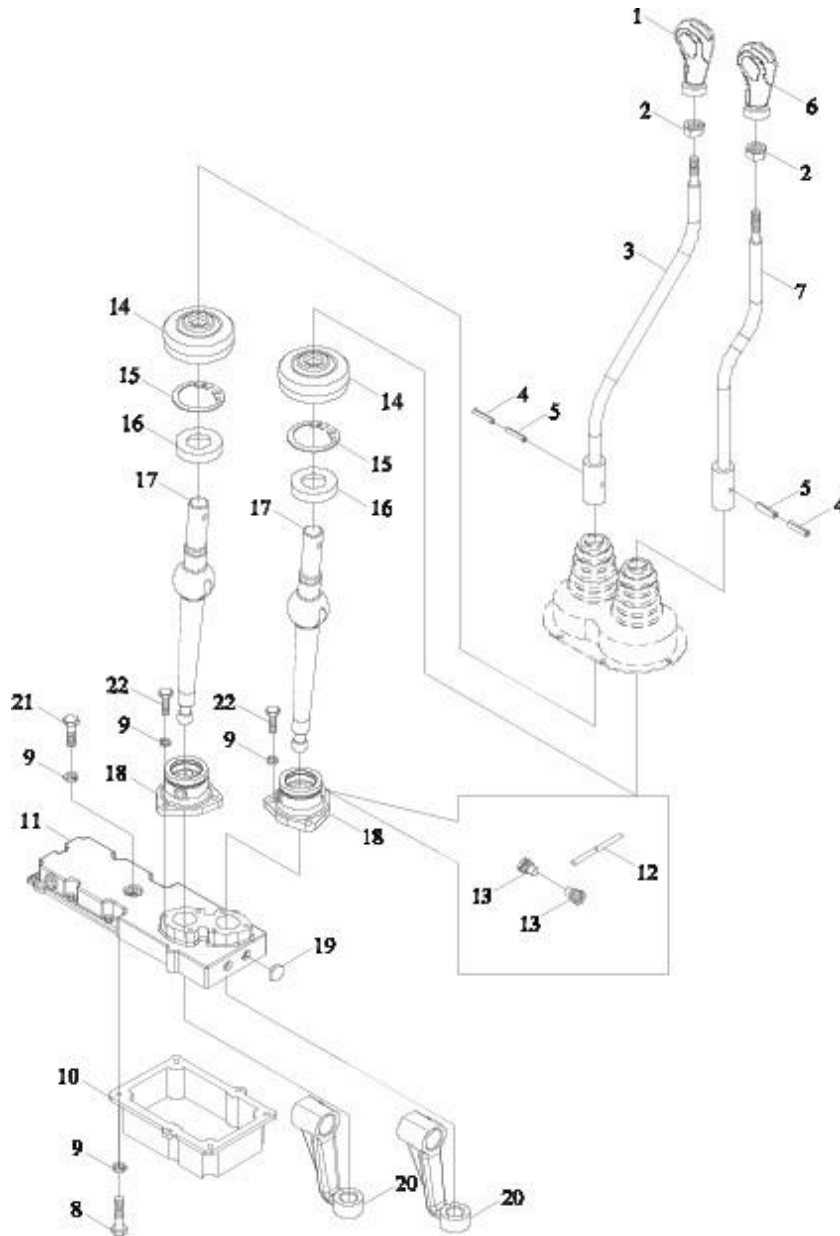
TS04374010000 GEARBOX CONTROL MECHANISM ASSEMBLY-2



TS04374010000 GEARBOX CONTROL MECHANISM ASSEMBLY-2

No.	Part No.	Description	Version	QTY.	Remark
	TS04374010000	GEARBOX CONTROL MECHANISM ASSEMBLY		1	
1	GBT5783-M6X20-8.8-A2L	HEXAGON BOLT		6	
2	GBT93-6-A0P	STANDARD SPRING WASHER		6	
3	TB604.374B-09	SLEEVE PRESSURE PLATE		1	
4	TB604.374B-08	GEARLEVER SLEEVE		1	

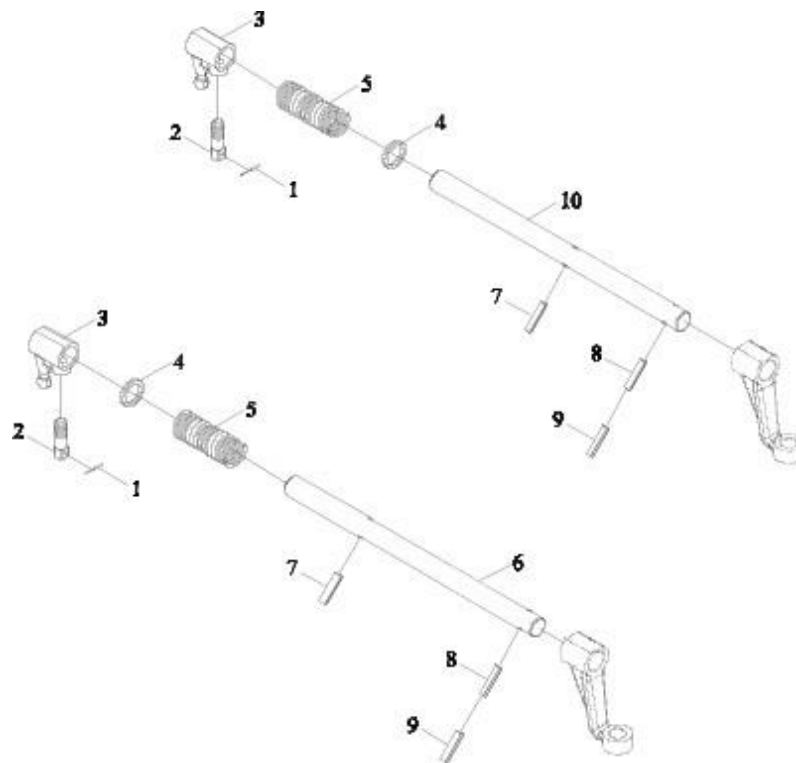
TS04374010000 GEARBOX CONTROL MECHANISM ASSEMBLY-3



TS04374010000 GEARBOX CONTROL MECHANISM ASSEMBLY-3

No.	Part No.	Description	Version	QTY.	Remark
	TS04374010000	GEARBOX CONTROL MECHANISM ASSEMBLY		1	
	TS04374010000	GEARBOX CONTROL MECHANISM ASSEMBLY		1	
1	TS04374010001	MAIN GEARSHIFT CONTROL HANDLE		1	
2	GBT6172.1-M10-04-A3L	HEXAGON THIN NUT		2	
3	TB604.374B.1.1	MAIN GEARLEVER WELDMENT		1	
4	GBT879.1-3X28	SPRING COLUMN PIN		2	
5	GBT879.1-5X28	SPRING COLUMN PIN		2	
6	TS04374010002	AUXILIARY GEARSHIFT CONTROL HANDLE		1	
7	TS04374010007	ASSISTANT GEARLEVER WELDMENT		1	
8	GBT5783-M8X20-10.9-A2L	HEXAGON BOLT		6	
9	GBT93-8-A0P	STANDARD SPRING WASHER		20	
10	TB604.374B.1-02	SIDE CONTROL LOWER COVER		1	
11	TB604.374B.1-01	SIDE CONTROL UPPER COVER		1	
12	TF1004.374-02	LOW CARBON STEEL WIRE		4	
13	FT800A.37.326	GEARLEVER LOCATING PIN		4	
14	FT300.37.166a	GEARLEVER DUSTPROOF BONNET		2	
15	GBT893.1-40	CIRCLIPS FOR HOLE		2	
16	FT800A.37.305	NYLON SEAT		2	
17	TB604.374B.1-09	LOWER CONTROL ROD		2	
18	TB504.374-06	AUXILIARY GEARLEVER SEAT		2	
19	Q72220	PLUG PIECE		2	
20	TB604.374B.1-06	FORK HEAD		2	
21	GBT5782-M8X55-8.8-A2L	HEXAGON BOLT		1	
22	GBT5783-M8X25-8.8-A2L	HEXAGON BOLT		13	

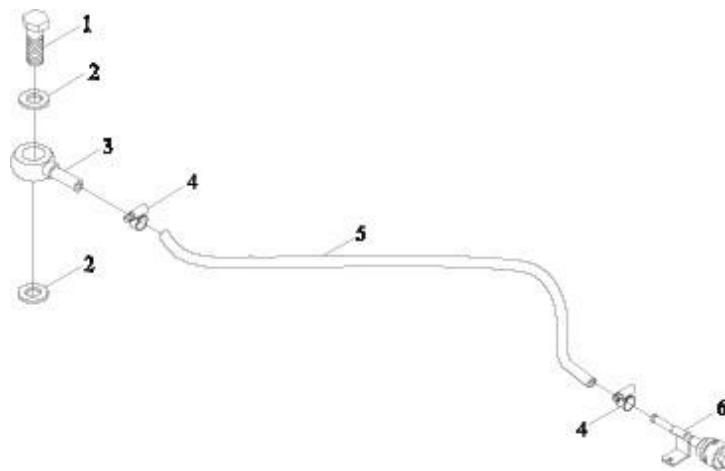
TS04374010000 GEARBOX CONTROL MECHANISM ASSEMBLY-4



TS04374010000 GEARBOX CONTROL MECHANISM ASSEMBLY-4

No.	Part No.	Description	Version	QTY.	Remark
	TS04374010000	GEARBOX CONTROL MECHANISM ASSEMBLY		1	
	TS04374010000	GEARBOX CONTROL MECHANISM ASSEMBLY		1	
1	TF1004.374-02	LOW CARBON STEEL WIRE		2	
2	TB504.374-01	LOCKING SCREW		2	
3	TB604.374B.1-05	SIDE CONTROL INNER FORK HEAD		2	
4	TB604.374B.1-08	SPRING WASHER		2	
5	TB604.374B.1-07	LOCATING SPRING		2	
6	TB604.374B.1-03	MAIN SPEED TRANSMISSION ROD		1	
7	GBT879.1-6X24	SPRING COLUMN PIN		2	
8	GBT879.1-3.5X28	SPRING COLUMN PIN		2	
9	GBT879.1-6X28	SPRING COLUMN PIN		1	
10	TB604.374B.1-04	AUXILIARY GEAR ROD		1	

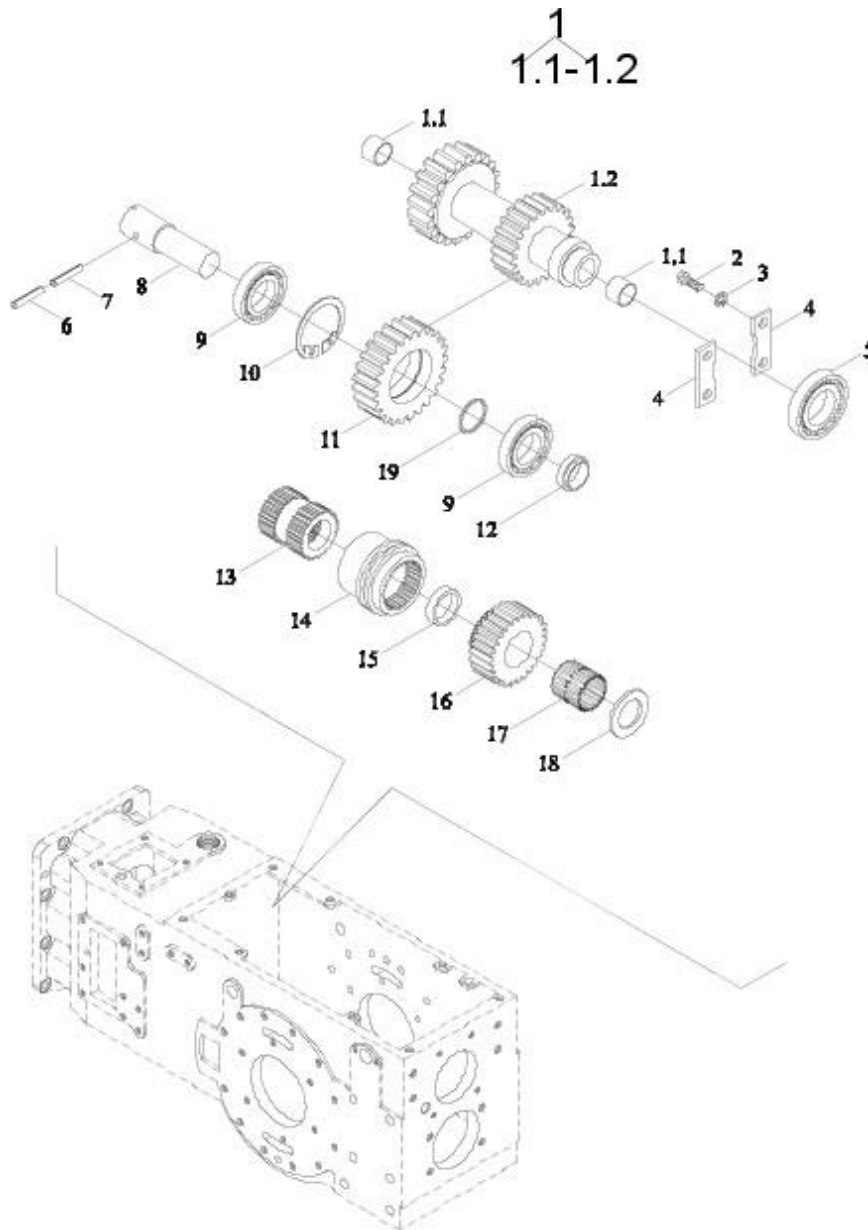
TB604. 375B BREATH ASSEMBLY



TB604. 375B BREATH ASSEMBLY

No.	Part No.	Description	Version	QTY.	Remark
	TB604.375B	BREATH ASSEMBLY		1	
1	FT800.40.172	HOLLOW BOLT		1	
2	JB982-14	COMBINED SEAL GASKET		2	
3	FT65.37.186	PIPE JOINT		1	
4	Q67512	A-TYPE WORM TRANSMISSION HOSE CLAMP		2	
5	TS04374010010	BREATH HOSE		1	
6	TB604.375.1	BREATH ASSEMBLY		1	

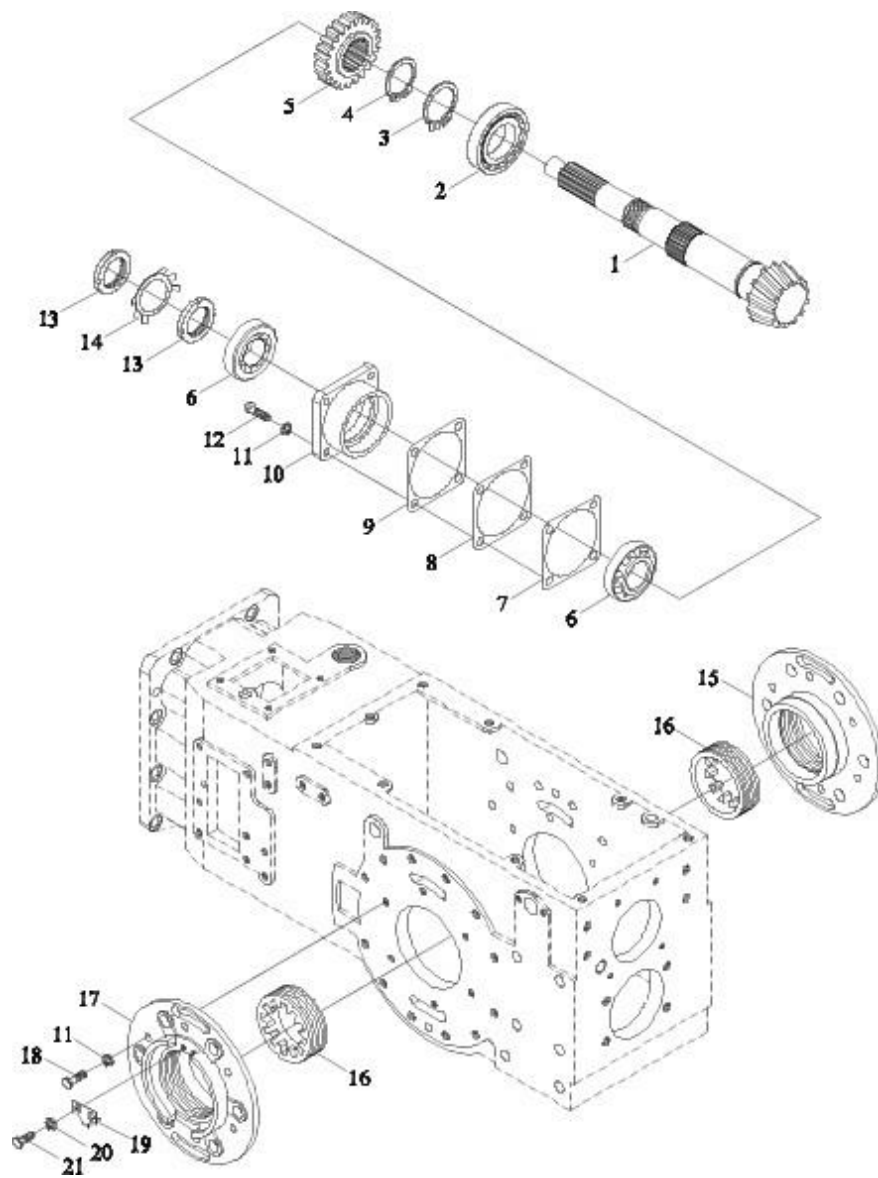
TB554. 381 SHUTTLE SHIFT ASSEMBLY



TB554. 381 SHUTTLE SHIFT ASSEMBLY

No.	Part No.	Description	Version	QTY.	Remark
	TB554.381	SHUTTLE SHIFT ASSEMBLY		1	
1	TB450.38J.1	REVERSE MIDDLE SHAFT ASSEMBLY		1	
2	GBT5783-M10X25-8.8-A3L	BOLT		4	
3	GBT93-10-A0P	WASHER		4	
4	FT300.38J.204	BEARING PRESSURE PLATE		2	
5	GBT283-NJ208E	BEARING		1	
6	GBT879.1-5X30	PIN		1	
7	GBT879.1-8X30	PIN		1	
8	TB450.38J-07	REVERSE IDLER GEAR SHAFT		1	
9	GBT283-NJ206E	BEARING		2	
10	GBT893.1-62	RETAINER RING		1	
11	TB450.38J-06	REVERSE IDLER GEAR		1	
12	TB450.38J-08	REVERSE IDLER GEAR SHAFT SPACER SLEEVE		1	
13	TB450.38J-01	MESHING SEAT		1	
14	TB450.38J-02	SHIFT COLLAR		1	
15	TB450.38J-03	SPACER BUSH		1	
16	TB450.38J-04	REVERSE DRIVEN GEAR		1	
17	QSFZB019-K35X43X34ZW	ROLLER NEEDLE BEARING		1	
18	FT300.38J.202	ADJUSTING WASHER		1	
19	TB554.381-02	GASKET		1	

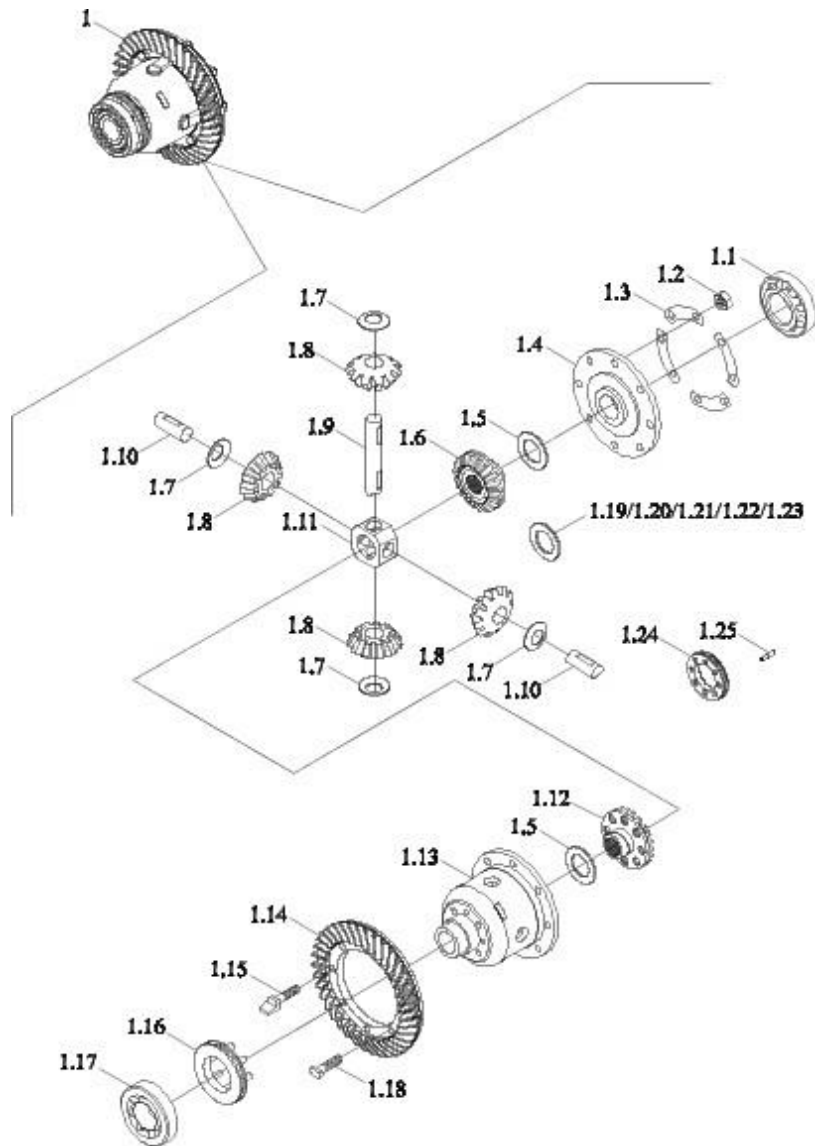
TB554. 382 REAR AXLE CENTRAL TRANSMISSION ASSEMBLY-1



TB554.382 REAR AXLE CENTRAL TRANSMISSION ASSEMBLY-1

No.	Part No.	Description	Version	QTY.	Remark
	TB554.382	REAR AXLE CENTRAL TRANSMISSION ASSEMBLY		1	
1	TB450.38J-05	SMALL TAPER GEAR SHAFT		1	
2	GBT283-NUP2210E	BEARING		1	
3	GBT894.1-50	RETAINER RING		1	
4	GBT894.1-48	RETAINER RING		1	
5	TB554.382-02	FRONT DRIVE OUTPUT GEAR		1	
6	GBT297-32208	BEARING		2	
7	FT300.38.118	TAPER GEAR SHAFT ADJUSTING GASKET		999	
8	FT300.38.119	TAPER GEAR SHAFT ADJUSTING GASKET		999	
9	FT300.38.120	TAPER GEAR SHAFT ADJUSTING GASKET		999	
10	FT300.38.117	BEARING SEAT		1	
11	GBT93-10-A0P	WASHER		16	
12	GBT5783-M10X30-8.8-A3L	BOLT		4	
13	GBT812-M39X1.5	NUT		2	
14	GBT858-39	WASHER		1	
15	FT300.38.177	RIGHT DIFFERENTIAL BEARING SEAT		1	
16	FT300.38.151	ADJUSTING NUT		2	
17	FT300.38.142	LEFT DIFFERENTIAL BEARING SEAT		1	
18	GBT5783-M10X25-8.8-A3L	BOLT		12	
19	FT300.38.161	LOCK WASHER		2	
20	GBT93-8-A0P	WASHER		4	
21	TB554.382-01	BOLT		4	

TB554. 382 REAR AXLE CENTRAL TRANSMISSION ASSEMBLY-2



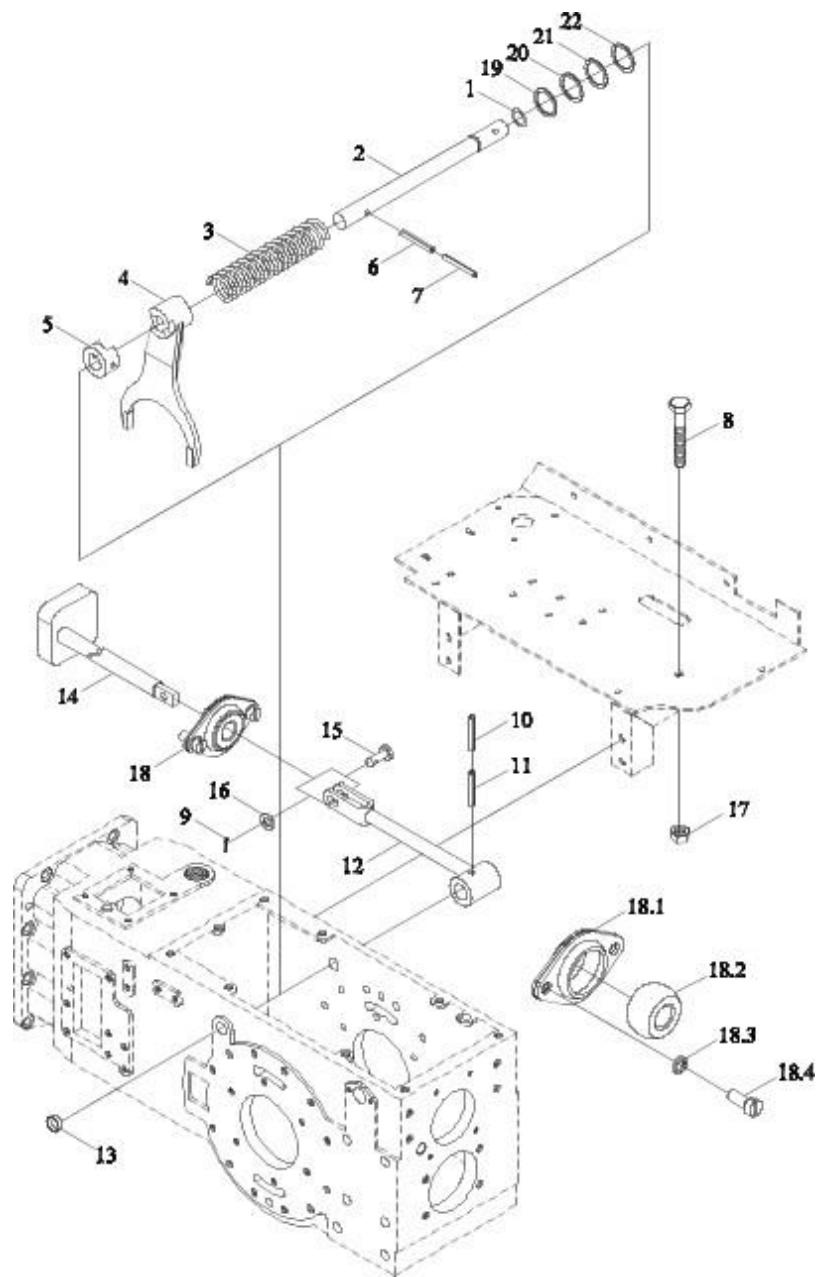
TB554. 382 REAR AXLE CENTRAL TRANSMISSION ASSEMBLY-2

No.	Part No.	Description	Ver- sion	QTY.	Remark
	TB554.382	REAR AXLE CENTRAL TRANSMISSION ASSEMBLY		1	
1	FT300.38.012	DIFFERENTIAL ASSEMBLY		1	
1.1	GBT297-32013	TAPERED ROLLER BEARING		1	
1.2	GBT6170-M12-8-A3L	HEXAGON NUT, TYPE-1		8	
1.3	FT300.38.152	LOCKING WASHER		4	
1.4	FT300.38.181	DIFFERENTIAL COVER		1	
1.5	FT300.38.147	HALF SHAFT GEAR WASHER		2	
1.6	FT300.38.144	RIGHT HALF SHAFT GEAR		1	
1.7	FT300.38.148	PLANET GEAR WASHER		4	
1.8	FT300.38.145	PLANET GEAR		4	
1.9	FT300.38.182	LONG PLANETARY GEAR SHAFT		1	
1.10	FT300.38.183	SHORT PLANETARY GEAR SHAFT		2	
1.11	FT300.38.184	CENTRAL RING		1	
1.12	FT300.38.143	LEFT HALF SHAFT GEAR		1	
1.13	FT300.38.180	DIFFERENTIAL HOUSING		1	
1.14	FT300.38.141	BIG TAPER GEAR		1	
1.15	FT300.38.185	PLANET GEAR SHAFT THRUST BOLT		4	
1.16	FT300.38.019	DIFFERENTIAL LOCK ASSEMBLY		1	
1.17	GBT297-30211	BEARING		1	
1.18	FT300.38.186	FIXING BOLT		4	
1.19	FT300.38.196	HALF SHAFT GEAR WASHER		1	
1.20	FT300.38.197	HALF SHAFT GEAR WASHER		1	
1.21	FT300.38.198	HALF SHAFT GEAR WASHER		1	
1.22	FT300.38.199	HALF SHAFT GEAR WASHER		1	
1.23	FT300.38.200	HALF SHAFT GEAR WASHER		1	

TB554. 382 REAR AXLE CENTRAL TRANSMISSION ASSEMBLY-2 (cont' d.)

No.	Part No.	Description	Version	QTY.	Remark
1.24	FT300.38.157	DIFFERENTIAL LOCK ASSEMBLY		1	
1.25	FT300.38.156	PIN		8	

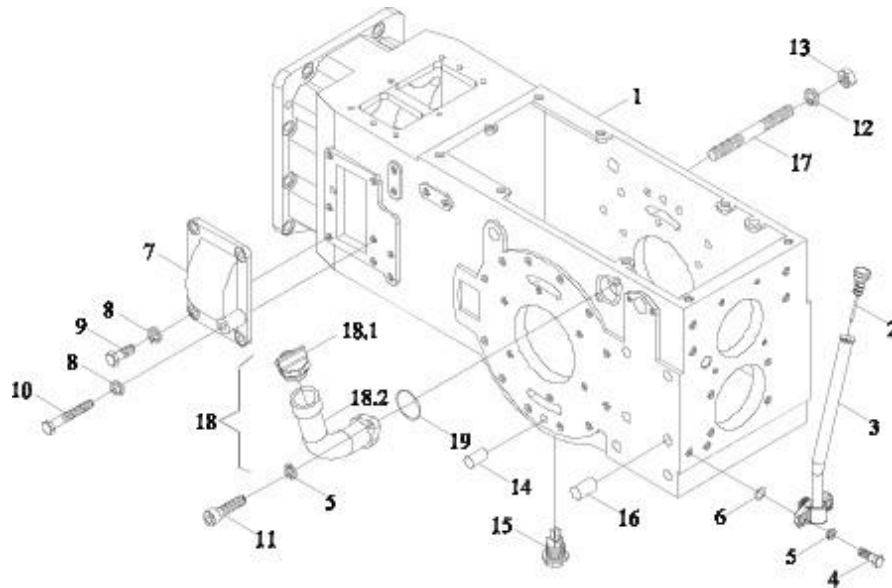
TS04383010000 DIFFERENTIAL LOCK CONTROL MECHANISM ASSEMBLY



TS04383010000 DIFFERENTIAL LOCK CONTROL MECHANISM ASSEMBLY

No.	Part No.	Description	Version	QTY.	Remark
	TS04383010000	DIFFERENTIAL LOCK CONTROL MECHANISM ASSEMBLY		1	
1	GBT3452.1-15.0X2.65G	RUBBER O-SEAL RING		1	
2	FT300.38.158a	DIFFERENTIAL LOCK FORK SHAFT		1	
3	FT300.38.160	DIFFERENTIAL LOCK RETURN SPRING		1	
4	FT300.38.159a	DIFFERENTIAL LOCK FORK		1	
5	FT300.38.190	DIFFERENTIAL LOCK DIAL BLOCK		1	
6	GBT879.1-6X40	SPRING COLUMN PIN		1	
7	GBT879.2-3.5X40	SPRING COLUMN PIN		1	
8	GBT5781-M8X40-4.8-A2L	HEXAGON BOLT		1	
9	GBT91-2X14-A0P	SPLIT PIN		1	
10	GBT879.1-6X35	SPRING COLUMN PIN		1	
11	GBT879.2-3.5X35	SPRING COLUMN PIN		1	
12	TS04383010003	ROCKER WELDMENT		1	
13	Q72220	PLUG PIECE		1	
14	TS04383010001	DIFFERENTIAL LOCK PEDAL		1	
15	GBT882-B6X28	PIN SHAFT		1	
16	GBT97.1-6-A0P	FLAT WASHER		1	
17	GBT6170-M8-8-A2L	HEXAGON NUT, TYPE-1		1	
18	TG1204.435.4	SEAL LINER SEAT ASSEMBLY		1	
18.1	TG1204.435.2-01	SPHERICAL SHAFT LINING SEAT		1	
18.2	TG1204.435.2-02	SPHERICAL SHAFT LINING		1	
18.3	GBT93-6	STANDARD SPRING WASHER		1	
18.4	GBT818-M6X14-4.8-A2L	CROSS SCREW		1	
19	TB554.383-05	WASHER		999	
20	TB554.383-06	WASHER		999	
21	TB554.383-07	WASHER		999	
22	TB554.383-08	WASHER		999	

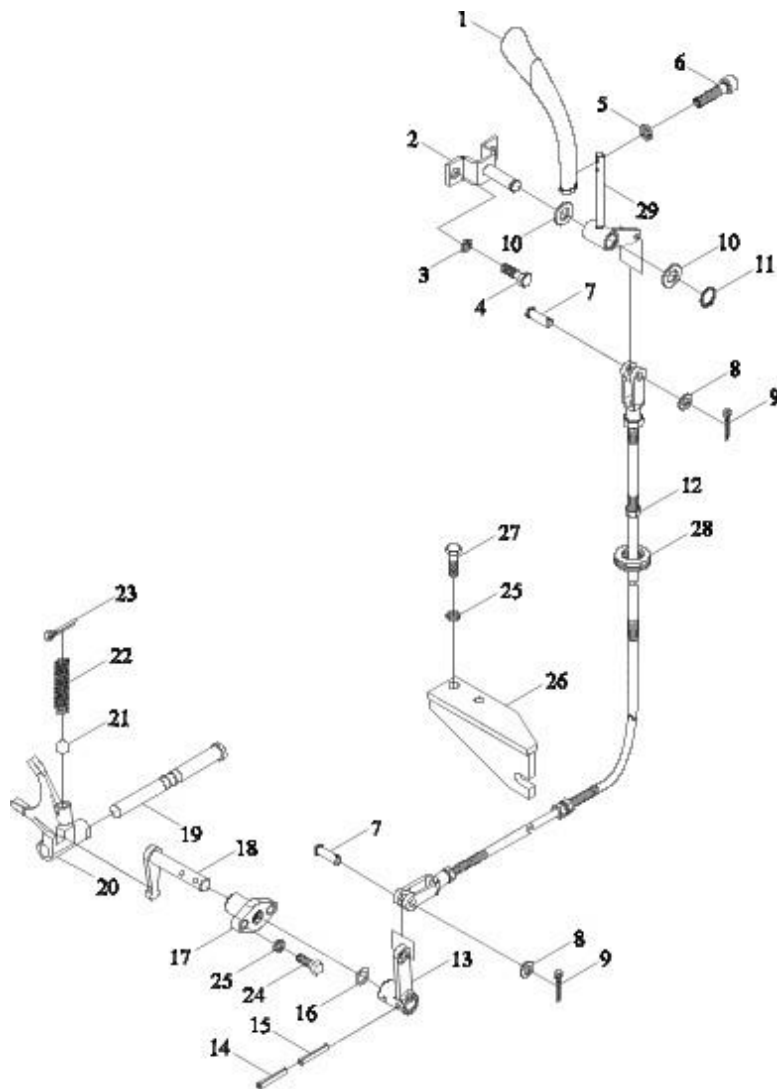
TB604. 384A REAR AXLE HOUSING ASSEMBLY



TB604. 384A REAR AXLE HOUSING ASSEMBLY

No.	Part No.	Description	Version	QTY.	Remark
	TB604.384A	REAR AXLE HOUSING ASSEMBLY		1	
1	TB604.384A-01	REAR AXLE HOUSING		1	
2	TB604.384.4	DIPSTICK ASSEMBLY		1	
3	TB604.384.2	OIL DIPSTICK PIPE WELDMENT		1	
4	GBT5783-M8X25-8.8-A2L	HEXAGON BOLT		2	
5	GBT93-8-A0P	WASHER		4	
6	GBT3452.1-15.0X2.65G	O-RING 9.3X2.2-M12X1.5		1	
7	FT300.38J.206	REVERSE SIDE COVER		1	
8	GBT93-10-A0P	WASHER		6	
9	GBT5783-M10X25-8.8-A3L	HEXAGON BOLT		5	
10	GBT5782-M10X60-8.8-A2L	HEXAGON BOLT		1	
11	GBT70.1-M8X20-8.8	INNER HEXAGON SCREW		2	
12	GBT93-12-A0P	WASHER		24	
13	GBT6171-M12X1.25-10-A2L	NUT		24	
14	GBT119.1-12m6X28-A0P	COLUMN PIN		2	
15	FT65.38.026	OIL PLUG ASSEMBLY		1	
16	TB554.384-02	PIN		4	
17	GBT899-AM12-M12X1.25X80-10.9-A 2L	STUD		24	
18	TB604.384.3	FILLING CAP ASSEMBLY		1	
18.1	TB604.384.3.1	FILLING CAP WELDMENT ASSEMBLY		1	
18.2	TB604.384.3.2	PLUG SCREW		1	
19	GBT3452.1-32.5X1.80G	O-RING 9.3X2.2-M12X1.5		1	

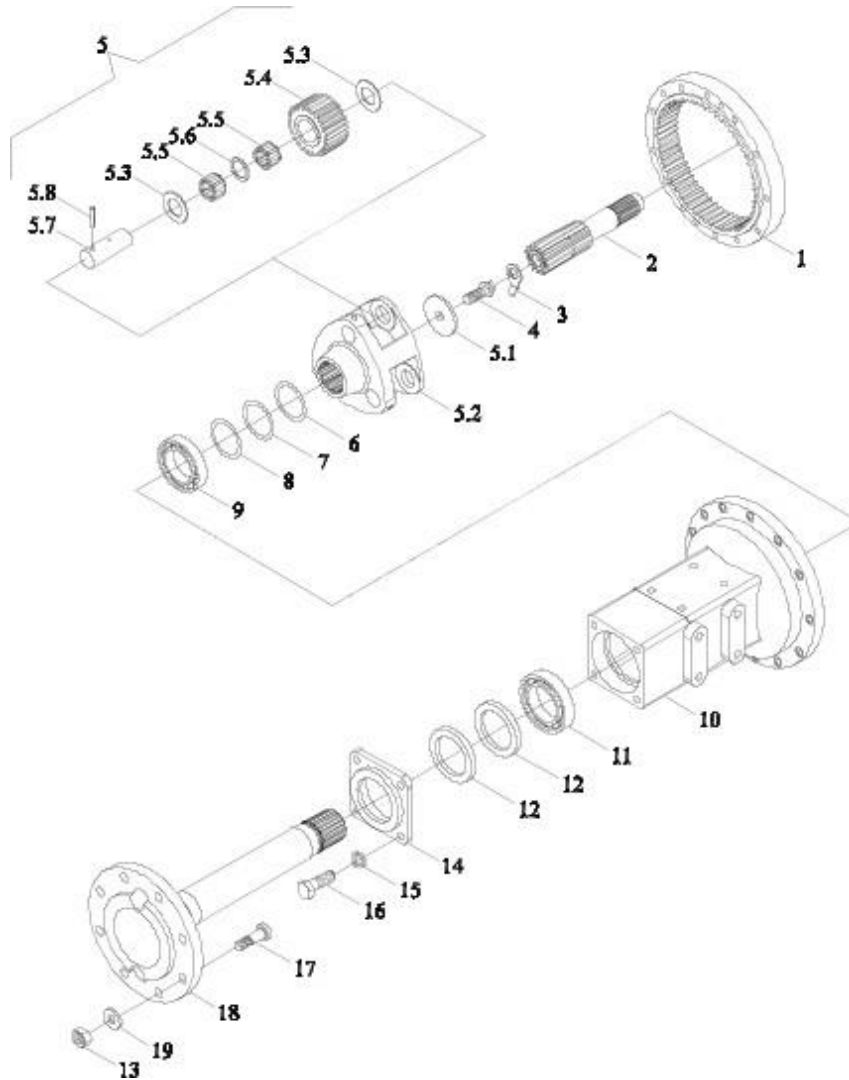
TS04385010000 SHUTTLE SHIFT CONTROL MECHANISM



TS04385010000 SHUTTLE SHIFT CONTROL MECHANISM

No.	Part No.	Description	Ver- sion	QTY.	Remark
	TS04385010000	SHUTTLE SHIFT CONTROL MECHANISM		1	
1	TS04385010008	CONTROL HANDLE		1	
2	TS04385010003	BRACKET WELDMENT		1	
3	GBT93-8-A0P	STANDARD SPRING WASHER		2	
4	GBT5783-M8X20-8.8-A2L	HEXAGON BOLT		2	
5	GBT93-6-A0P	STANDARD SPRING WASHER		2	
6	GBT70.1-M6X20-10.9-A3L	INNER HEXAGON SCREW		2	
7	TG1654.373B.1-01	PIN SHAFT		2	
8	GBT97.1-8-A0P	FLAT WASHER		2	
9	GBT91-3.2X20-A0P	SPLIT PIN		2	
10	TD950.373.2-02	BUSH		2	
11	GBT894.2-20	CIRCLIP FOR SHAFT		1	
12	TB604.385.3	SOFT SHAFT WELD		1	
13	TB604.385-02	ROCKER ARM		1	
14	GBT879.1-3.5X28	SPRING COLUMN PIN		2	
15	GBT879.1-6X28	SPRING COLUMN PIN		2	
16	GBT3452.1-16.0X2.65G	RUBBER O-SEAL RING		1	
17	TB554.385A-01	LEVER SHAFT SLEEVE		1	
18	TB554.385-01	ROCKER		1	
19	FT300.38J.203	REVERSE FORK SHAFT		1	
20	FT300.38J.218	REVERSE GEAR FORK		1	
21	GBT308-9.5-G100-b	STEEL BALL		1	
22	FT704.42B.163	FORK SHAFT LOCATING SPRING		1	
23	GBT91-4X32-A0P	SPLIT PIN		1	
24	TB400.385-09	BOLT		2	
25	GBT93-10-A0P	STANDARD SPRING WASHER		4	
26	TB604.385.2	SUPPORT PLATE WELDMENT		1	
27	GBT5783-M10X25-8.8-A3L	HEXAGON BOLT		2	
28	FT800A.48L.101	RUBBER RING-1		1	
29	TS04385010005	CONTROL ROD WELDMENT		1	

TB550. 391 LEFT FINAL TRANSMISSION ASSEMBLY



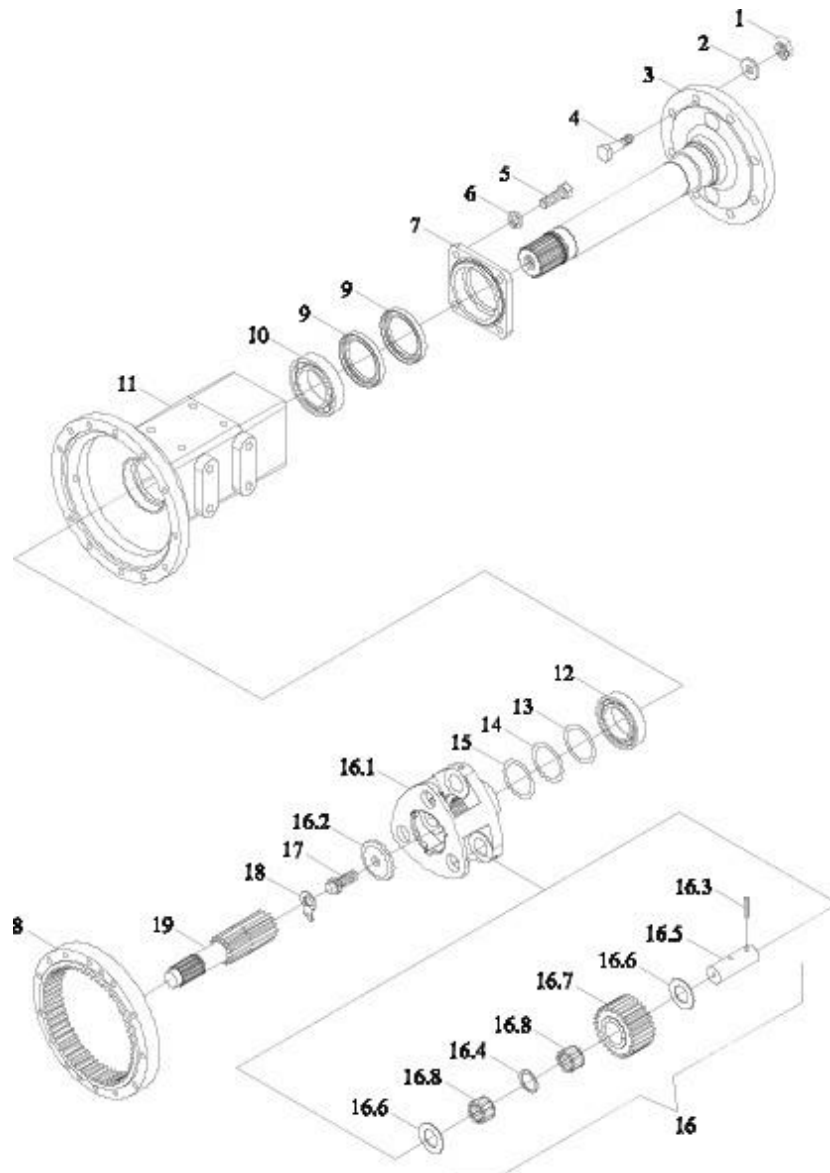
TB550.391 LEFT FINAL TRANSMISSION ASSEMBLY

No.	Part No.	Description	Version	QTY.	Remark
	TB550.391	LEFT FINAL TRANSMISSION ASSEMBLY		1	
1	TB550.391-04	FINAL TRANSMISSION GEAR RING		1	
2	TB550.391-03	LEFT FINAL TRANSMISSION HALF SHAFT		1	
3	FT300.39.110	DRIVING SHAFT LOCK PIECE		1	
4	FT300.39.112	DRIVING SHAFT LOCK BOLT		1	
5	TB550.391.1	FINAL TRANSMISSION PLANET BRACKET ASSEMBLY		1	
5.1	FT300.39.111	RETAINER BLOCK		1	
5.2	TB550.391.1-01	FINAL TRANSMISSION PLANET BRACKET		1	
5.3	TB550.391.1-05	PLANET GEAR ROLL NEEDLE OUTER SPACER RING		6	
5.4	TB550.391.1-02	FINAL TRANSMISSION PLANET GEAR		3	
5.5	GBT309-6X23.8-G2X-3X-5	NEEDLE		132	
5.6	TB550.391.1-04	PLANET GEAR ROLL NEEDLE INNER SPACER RING		3	
5.7	TB550.391.1-03	FINAL TRANSMISSION PLANET GEAR SHAFT		3	
5.8	QLWZB140-8X32	PIN		3	
6	FT300.39.121	ADJUSTING WASHER		1	
7	FT300.39.122	ADJUSTING WASHER		1	
8	FT300.39.123	ADJUSTING WASHER		1	
9	GBT276-6211	DEEP GROOVE BALL BEARING		1	
10	TB550.391-01	LEFT HALF SHAFT HOUSING BODY		1	
11	GBT276-6214	DEEP GROOVE BALL BEARING		1	
12	GBT9877.1-FB80X105X10D	SEAL RING		2	
13	GBT6176-M18X1.5-LH-10-A3L	HEXAGON NUT, TYPE-2		8	
14	TB550.391-05	HALF SHAFT OIL SEAL SEAT		1	
15	GBT93-12-A0P	STANDARD SPRING WASHER		4	

TB550.391 LEFT FINAL TRANSMISSION ASSEMBLY (cont'd.)

No.	Part No.	Description	Version	QTY.	Remark
16	GBT5783-M12X30-8.8-A3L	HEXAGON BOLT		4	
17	FT65.38.222	REAR HUB BOLT LEFT		8	
18	TB550.391-02	DRIVING SHAFT		1	
19	FT804.31B.120	WASHER		8	

TB550. 392 RIGHT FINAL TRANSMISSION ASSEMBLY



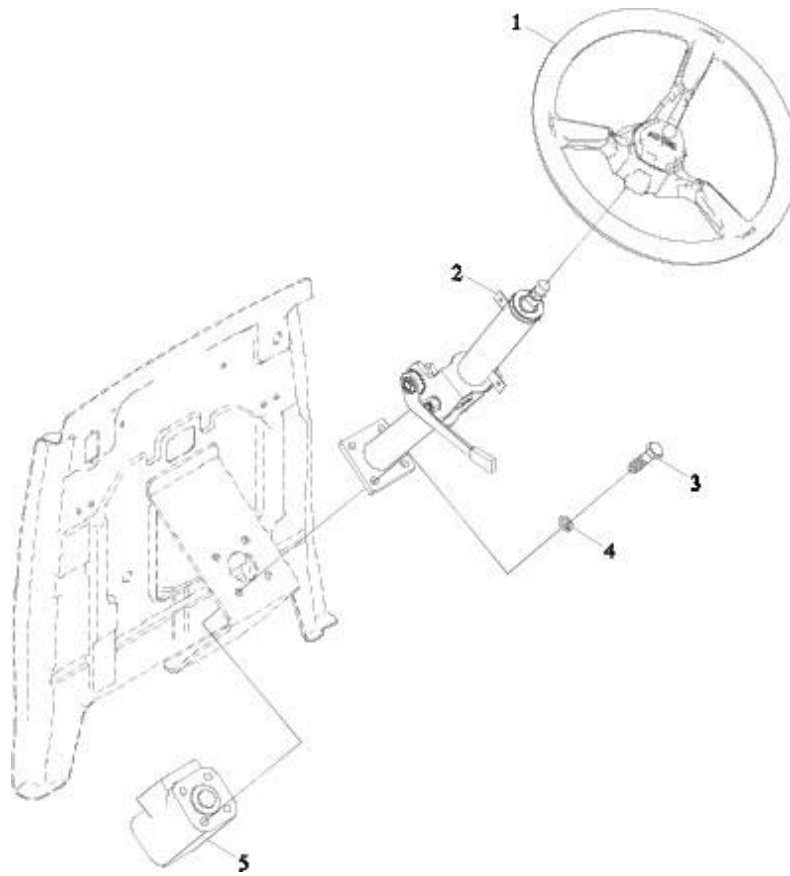
TB550. 392 RIGHT FINAL TRANSMISSION ASSEMBLY

No.	Part No.	Description	Version	QTY.	Remark
	TB550.392	RIGHT FINAL TRANSMISSION ASSEMBLY		1	
1	GBT6176-M18X1.5-10-A3L	HEXAGON NUT, TYPE-2		8	
2	FT804.31B.120	WASHER		8	
3	TB550.391-02	DRIVING SHAFT		1	
4	FT65.38.140a	REAR HUB BOLT		8	
5	GBT5783-M12X30-8.8-A3L	HEXAGON BOLT		4	
6	GBT93-12-A0P	STANDARD SPRING WASHER		4	
7	TB550.391-05	HALF SHAFT OIL SEAL SEAT		1	
8	TB550.391-04	FINAL TRANSMISSION GEAR RING		1	
9	GBT9877.1-FB80X105X10D	SEAL RING		2	
10	GBT276-6214	DEEP GROOVE BALL BEARING		1	
11	TB550.392-01	RIGHT HALF SHAFT HOUSING		1	
12	GBT276-6211	DEEP GROOVE BALL BEARING		1	
13	FT300.39.121	ADJUSTING WASHER		1	
14	FT300.39.122	ADJUSTING WASHER		1	
15	FT300.39.123	ADJUSTING WASHER		1	
16	TB550.391.1	FINAL TRANSMISSION PLANET BRACKET ASSEMBLY		1	
16.1	TB550.391.1-01	FINAL TRANSMISSION PLANET BRACKET		1	
16.2	FT300.39.111	RETAINER BLOCK		1	
16.3	QLWZB140-8X32	PIN		3	
16.4	TB550.391.1-04	PLANET GEAR ROLL NEEDLE INNER SPACER RING		3	
16.5	TB550.391.1-03	FINAL TRANSMISSION PLANET GEAR SHAFT		3	
16.6	TB550.391.1-05	PLANET GEAR ROLL NEEDLE OUTER SPACER RING		6	
16.7	TB550.391.1-02	FINAL TRANSMISSION PLANET GEAR		3	
16.8	GBT309-6X23.8-G2X-3X-5	NEEDLE		132	
17	FT300.39.112	DRIVING SHAFT LOCK BOLT		1	

TB550.392 RIGHT FINAL TRANSMISSION ASSEMBLY (cont'd.)

No.	Part No.	Description	Version	QTY.	Remark
18	FT300.39.110	DRIVING SHAFT LOCK PIECE		1	
19	TB550.392-02	RIGHT FINAL TRANSMIS- SION HALF SHAFT		1	

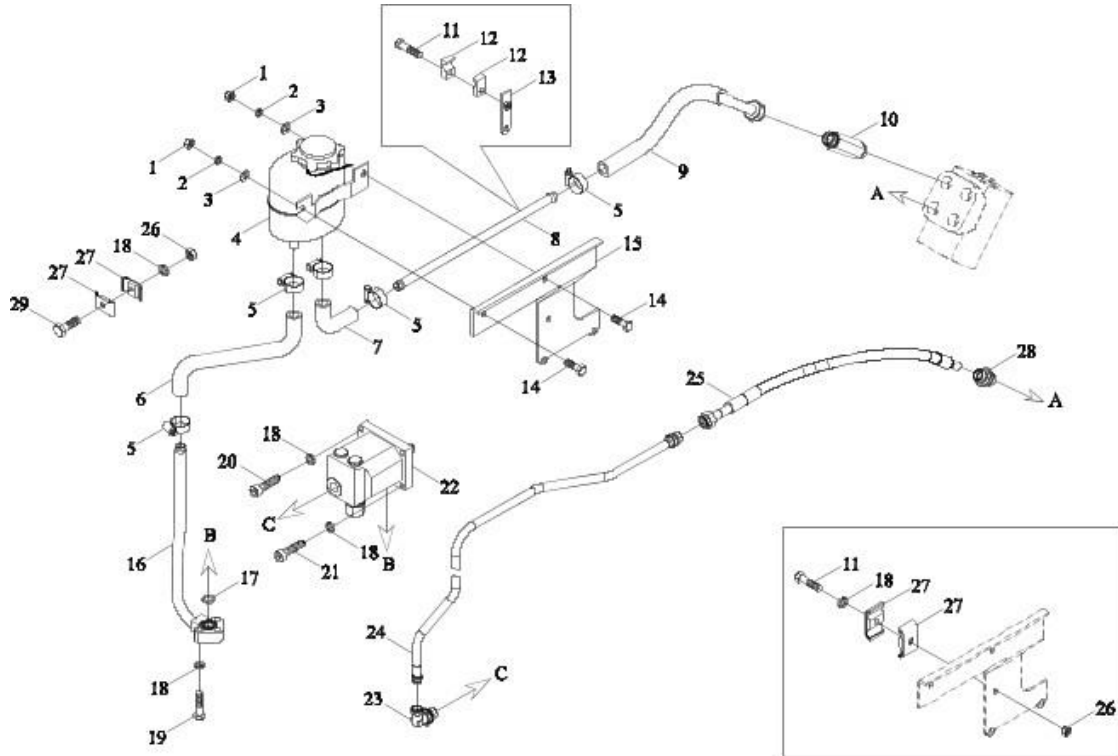
TC0440108000 REDIRECTOR OR STEERING COLUMN ASSEMBLY



TC04401080000 REDIRECTOR OR STEERING COLUMN ASSEMBLY

No.	Part No.	Description	Version	QTY.	Remark
	TC04401080000	REDIRECTOR OR STEERING COLUMN ASSEMBLY		1	
1	TS04401010001	STEERING WHEEL ASSEMBLY		1	
2	TS04401010002	STEERING PIPE COLUMN ASSEMBLY		1	
3	GBT5783-M10X30-8.8-A3L	HEXAGON BOLT		4	
4	GBT93-10-A0P	STANDARD SPRING WASHER		4	
5	TC04400010009	HYDRAULIC STEERING MECHANISM ASSEMBLY		1	

TS04402070000K FULLY HYDRAULIC STEERING ASSEMBLY-1



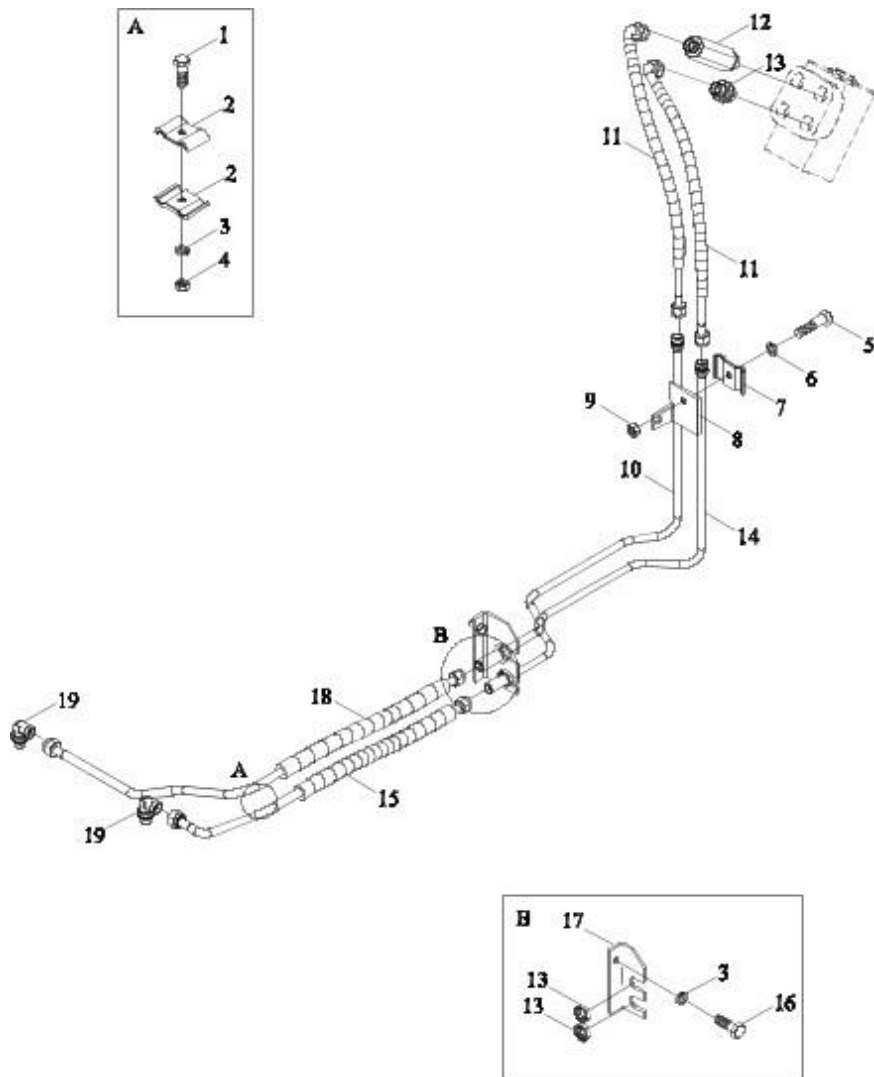
TS04402070000K FULLY HYDRAULIC STEERING ASSEMBLY-1

No.	Part No.	Description	Version	QTY.	Remark
	TS04402070000K	FULLY HYDRAULIC STEERING ASSEMBLY		1	
1	GBT6170-M10-8-A3L	HEXAGON NUT, TYPE-1		2	
2	GBT93-10-A3L	STANDARD SPRING WASHER		2	
3	GBT97.1-10-A3L	FLAT WASHER		2	
4	TS04402010019	STEERING OIL TANK AND BREATH ASSEMBLY		1	
5	Q67632	B-TYPE WORM TRANSMISSION HOSE CLAMP		5	
6	TC04402010006	INLET OIL RUBBER PIPE OF GEAR PUMP		1	
7	TS04402010006	OIL RETURN RUBBER HOSE		1	
8	TS04402010007	OIL RETURN STEEL PIPE		1	
9	TC02402290001K	REDIRECTOR OIL RETURN PIPE ASSEMBLY		1	
10	TC04402080012	END STRAIGHT THREAD CONNECTOR BODY L16		1	
11	GBT5783-M8X40-8.8-A2L	HEXAGON BOLT		2	
12	TG1204.402-01	SINGLE HOLE PIPE CLAMP		2	
13	TS04402010012	PIPE CLAMP BRACKET 2		1	
14	GBT5783-M10X25-8.8-A3L	HEXAGON BOLT		2	
15	TS04402010011	STEERING OIL TANK BRACKET		1	
16	TC04402010003	OIL SUCTION STEEL PIPE WELDMENT		1	
17	GBT3452.1-17.0X2.65G	RUBBER O-SEAL RING		1	
18	GBT93-8-A3L	STANDARD SPRING WASHER		9	
19	GBT5783-M8X30-8.8-A2L	HEXAGON BOLT		3	
20	GBT70.1-M8X30-8.8	INNER HEXAGON SCREW		2	
21	GBT70.1-M8X65-8.8	INNER HEXAGON SCREW		2	
22	TC02402350001K	PERMANENT OVERFLOW PUMP		1	
23	TC04400020003	ADJUSTABLE JOINT		1	
24	TC04402010005	OIL OUTLET PIPE ASSEMBLY OF GEAR PUMP		1	
25	TC04402010007	HIGH PRESSURE HOSE ASSEMBLY		1	

TS04402070000K FULLY HYDRAULIC STEERING ASSEMBLY-1 (cont' d.)

No.	Part No.	Description	Version	QTY.	Remark
26	GBT6170-M8-8-A2L	HEXAGON NUT, TYPE-1		1	
27	TC04402010017	OIL PIPE CLAMP AND RUBBER WASHER 16-12		4	
28	GE20D18.24.93.5	END STRAIGHT THREAD CONNECTOR BODY		2	
29	GBT5783-M8X35-8.8-A2L	HEXAGON BOLT		1	

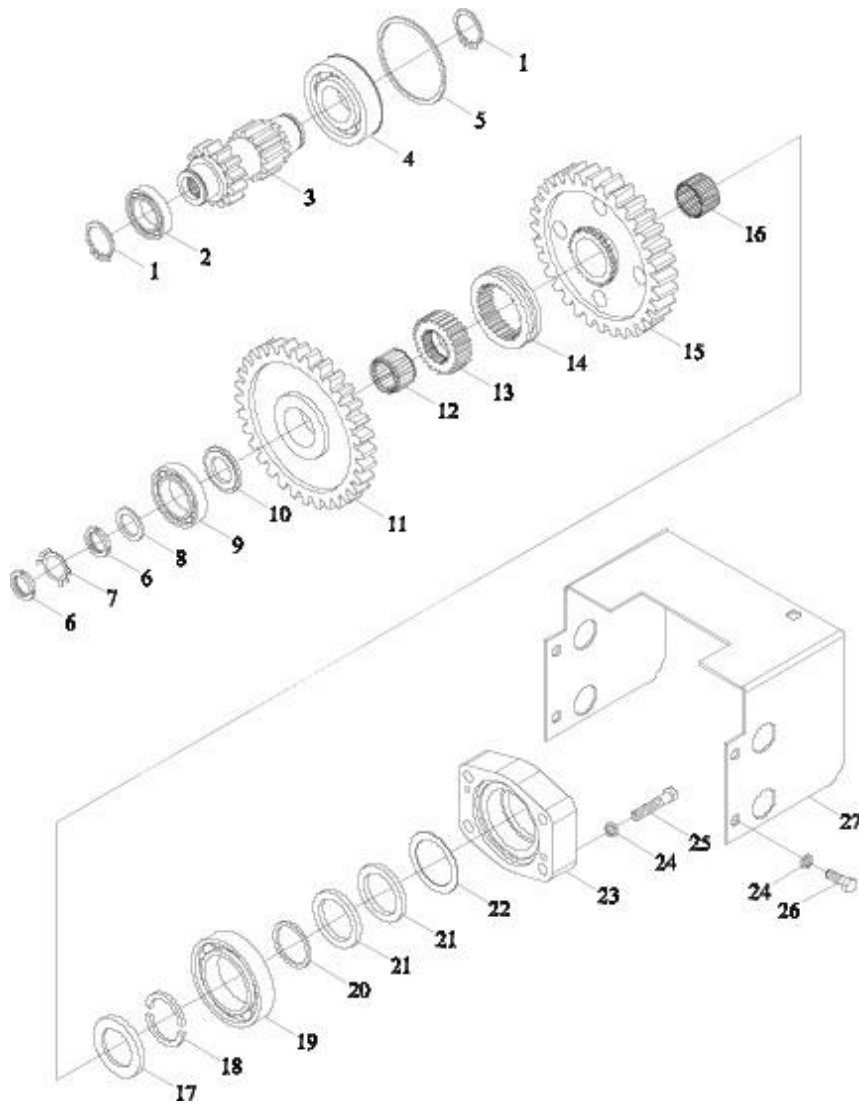
TS04402070000K FULLY HYDRAULIC STEERING ASSEMBLY-2



TS04402070000K FULLY HYDRAULIC STEERING ASSEMBLY-2

No.	Part No.	Description	Version	QTY.	Remark
	TS04402070000K	FULLY HYDRAULIC STEERING ASSEMBLY		1	
1	GBT5783-M8X25-8.8-A2L	HEXAGON BOLT		1	
2	TC02402200018K	OIL PIPE CLAMP		2	
3	GBT93-8-A3L	STANDARD SPRING WASHER		2	
4	GBT6170-M8-8-A2L	HEXAGON NUT, TYPE-1		1	
5	GBT5783-M6X25-8.8-A2L	HEXAGON BOLT		1	
6	GBT93-6-A3L	STANDARD SPRING WASHER		1	
7	TC04402010023	OIL PIPE CLAMP AND RUBBER WASHER		1	
8	TS04402070002K	BRACKET		1	
9	GBT6170-M6-8-A2L	HEXAGON NUT, TYPE-1		1	
10	TC04402010009	LEFT STEERING STEEL PIPE		1	
11	TC04402010008	STEERING RUBBER HOSE ASSEMBLY		2	
12	TC04402080010	END STRAIGHT THREAD CONNECTOR BODY L12		1	
13	GBT3763-M16X1.5	NUT		2	
14	TC04402010013	RIGHT STEERING STEEL PIPE		1	
15	TC02402200001	RIGHT STEERING OIL PIPE ASSEMBLY		1	
16	GBT5783-M8X20-8.8-A2L	HEXAGON BOLT		1	
17	TS04402070001K	OIL PIPE BRACKET		1	
18	TC02402200002	LEFT STEERING OIL PIPE ASSEMBLY		1	
19	GL06701050023	CONNECTING JOINT L12		2	

TB550. 411A PTO GEAR ASSEMBLY



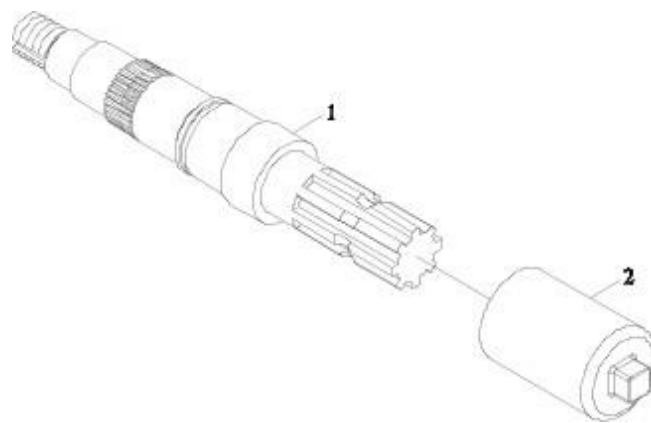
TB550.411A PTO GEAR ASSEMBLY

No.	Part No.	Description	Version	QTY.	Remark
	TB550.411A	PTO GEAR ASSEMBLY		1	
1	GBT894.1-40	CIRCLIP FOR SHAFT		2	
2	GBT276-6208	DEEP GROOVE BALL BEARING		1	
3	TB550.411A-01	PTO HIGH AND LOW GEAR DRIVING DUAL GEAR		1	
4	GBT276-6308N	DEEP GROOVE BALL BEARING		1	
5	GBT305-90-96.5	THRUST RING		1	
6	GBT812-M25X1.5	ROUND NUT		2	
7	GBT858-25	THRUST WASHER FOR ROUND NUT		1	
8	FT300.41.122	WASHER		1	
9	GBT276-6306	DEEP GROOVE BALL BEARING		1	
10	FT300.41C.118	OUTPUT SHAFT FRONT RETAINER RING		1	
11	TB550.411A-02	PTO HIGH GEAR DRIVEN GEAR		1	
12	TB550.411-04	NEEDLE BEARING KK40X46X34		1	
13	FT300.41C.117	PTO MESHING SEAT		1	
14	FT300.41C.116	PTO SHIFT COLLAR		1	
15	TB550.411-03	PTO LOW GEAR DRIVEN GEAR		1	
16	JBT7918-K35X40X27	NEEDLE AND CARRIER COMBINATION		1	
17	FT300.41E.114	REAR RETAINER RING		1	
18	FT300.41E.119	THRUST RING		1	
19	GBT276-6309	DEEP GROOVE BALL BEARING		1	
20	FT300.41E.113	OUTPUT SHAFT BEARING WASHER		1	
21	GBT9877.1-FB50X72X8D	SEAL RING		2	
22	FT300.41E.115	OIL SEAL RETAINER RING		1	
23	FT300.41E.101	REAR END COVER 1		1	
24	GBT93-12	STANDARD SPRING WASHER		8	
25	GBT5782-M12X55-8.8-A3L	HEXAGON BOLT		4	

TB550. 411A PTO GEAR ASSEMBLY (cont' d.)

No.	Part No.	Description	Version	QTY.	Remark
26	GBT5783-M12X25-8.8-A3L	HEXAGON BOLT		4	
27	FT300.41.131a	SAFTY BONNET		1	

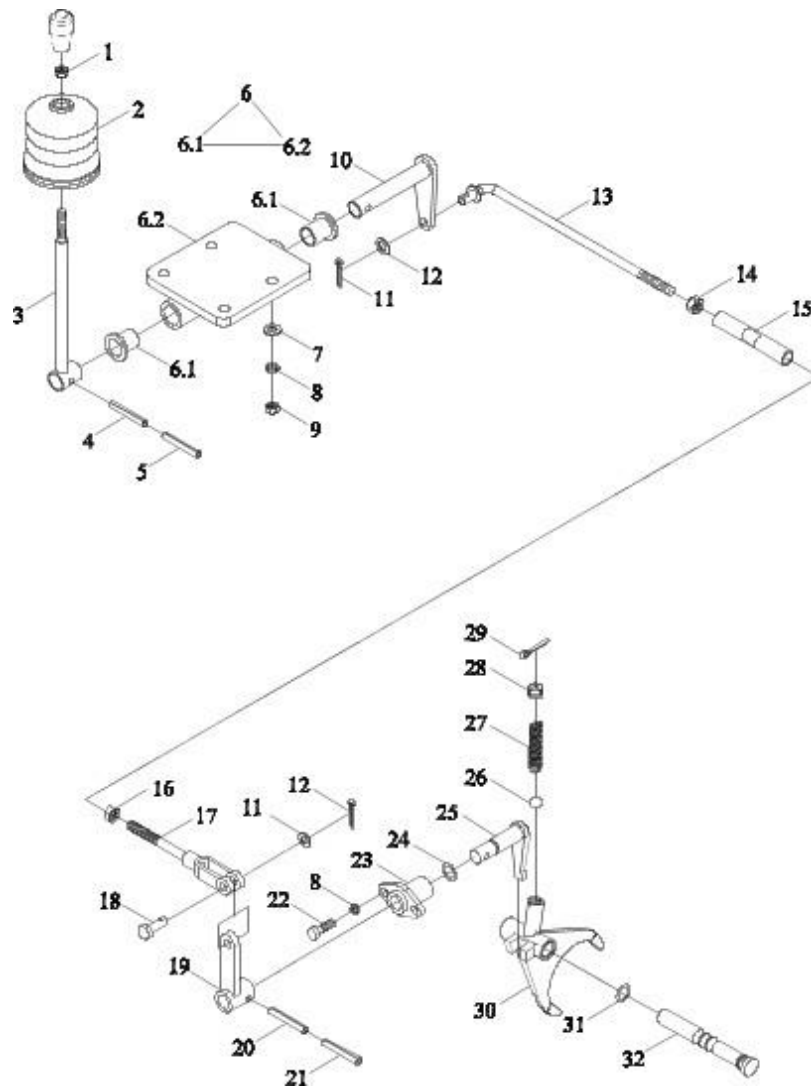
TB550. 412A PTO SHAFT ASSEMBLY



TB550. 412A PTO SHAFT ASSEMBLY

No.	Part No.	Description	Version	QTY.	Remark
	TB550.412A	PTO SHAFT ASSEMBLY		1	
1	TB550.412A-01	TYPE-I 35 PTO SHAFT		1	
2	TB550.412-02	PTO SHAFT HOOD SHIELD		1	

TS04413010000 PTO CONTROL ASSEMBLY



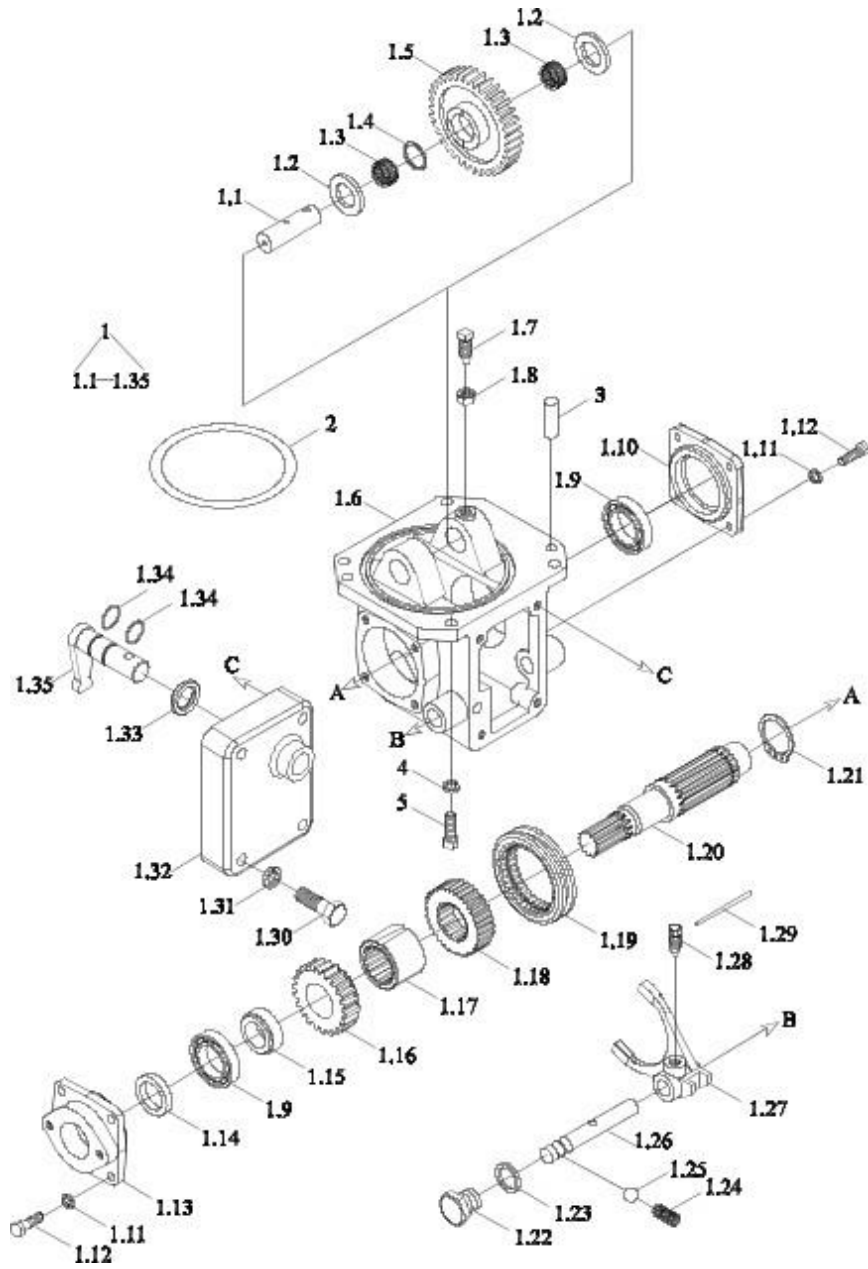
TS04413010000 PTO CONTROL ASSEMBLY

No.	Part No.	Description	Version	QTY.	Remark
	TS04413010000	PTO CONTROL ASSEMBLY		1	
1	GBT6170-M10-8-A3L	HEXAGON NUT, TYPE-1		1	
2	TB704.413A-02	DUSTPROOF RING		1	
3	TB504.413A.2	PTO GEARSHIFT CONTROL ROD WELDMENT		1	
4	GBT879.1-6X32	SPRING COLUMN PIN		1	
5	GBT879.1-3.5X32	SPRING COLUMN PIN		1	
6	TS04413010003	SUPPORT SEAT		1	
7	GBT97.1-8-A0P	FLAT WASHER		4	
8	GBT93-8-A0P	STANDARD SPRING WASHER		6	
9	GBT6170-M8-8-A2L	HEXAGON NUT, TYPE-1		4	
10	TS04413010004	CONTROL ROCKER WELDMENT		1	
11	GBT91-3.2X16-A0P	SPLIT PIN		2	
12	GBT97.1-10-A0P	FLAT WASHER		2	
13	TS04413010005	MIDDLE PULL ROD WELDMENT		1	
14	GBT6171-M10X1-LH-8-A2L	HEXAGON NUT, TYPE-1		1	
15	FT800A.21.353	MIDDLE ROD		1	
16	GBT6171-M10X1-8-A2L	HEXAGON NUT, TYPE-1		1	
17	TB504.413A.5	PULL ROD WELDMENT		1	
18	GBT882-B10X30	PIN SHAFT		1	
19	TB480.413.2	ROCKER WELDMENT		1	
20	GBT879.1-6X26	SPRING COLUMN PIN		1	
21	GBT879.1-3.5X26	SPRING COLUMN PIN		1	
22	GBT5783-M8X20-8.8-A2L	HEXAGON BOLT		2	
23	FT300.41E.109	LEVER SHAFT SLEEVE		1	
24	GBT3452.1-16.0X2.65G	RUBBER O-SEAL RING		1	
25	TB550.413-04	LEVER		1	
26	GBT308-9.5-G100-b	STEEL BALL		1	
27	FT704.42B.163	FORK SHAFT LOCATING SPRING		1	
28	TB550.413-03	SCREW NECK		1	
29	GBT91-2.5X32-A0P	SPLIT PIN		1	
30	TB550.413-01a	OPERATION FORK OF PTO		1	

TS04413010000 PTO CONTROL ASSEMBLY (cont'd.)

No.	Part No.	Description	Version	QTY.	Remark
31	GBT3452.1-11.2X2.65G	RUBBER O-SEAL RING		1	
32	FT300.41C.107a	PTO FORK SHAFT		1	

TB554. 421D TRANSFER CASE HOUSING ASSEMBLY



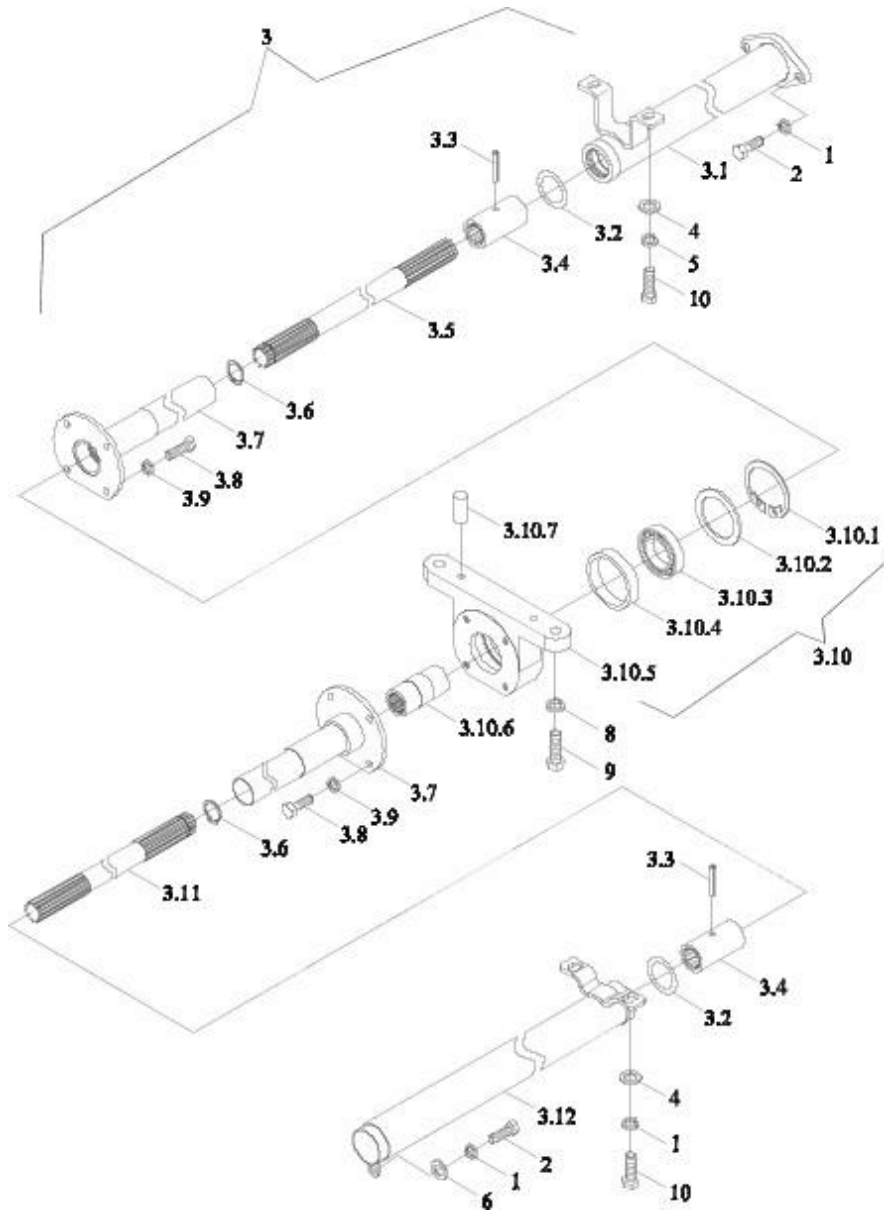
TB554. 421D TRANSFER CASE HOUSING ASSEMBLY

No.	Part No.	Description	Version	QTY.	Remark
	TB554.421D	TRANSFER CASE HOUSING ASSEMBLY		1	
1	TB554.421D.1	TRANSFER CASE BODY ASSEMBLY		1	
1.1	TB554.421B.1-05	IDLER SHAFT		1	
1.1	FT304.42.117	BEARING COVER		1	
1.2	FT304.42F.103	THRUST RING		2	
1.2	TB554.421B.1-04	TRANSFER CASE GEAR SHAFT		1	
1.3	JBT7918-K25X31X20	BEARING		2	
1.3	GBT5782-M10X45-8.8-A3L	BOLT		4	
1.4	FT304.42.126	NEEDLE INNER SPACER SLEEVE		1	
1.5	TB554.421B.1-01	TRANSFER CASE IDLER		1	
1.6	TB554.421B.1-03	TRANSFER CASE HOUSING		1	
1.7	FT304.42.112	THRUST SCREW		1	
1.8	GBT6173-M10X1-05-A2L	NUT		1	
1.9	GBT276-6306	BEARING		2	
1.11	GBT93-8-A0P	WASHER		8	
1.12	GBT5783-M8X20-8.8-A2L	BOLT		8	
1.13	FT304.42F.106	BEARING SEAT		1	
1.14	GBT9877.1-FB30X52X7D	FRAMEWORK OIL SEAL		1	
1.15	FT804.42.119a	SPACER BUSH		1	
1.16	TB554.421D.1-01	TRANSFER CASE DRIVEN GEAR		1	
1.17	TB554.421B.1-06	GEAR BUSH		1	
1.18	FT804.42.115	MESH GEAR SEAT		1	
1.19	TB504.421.1-04	SHIFT COLLAR		1	
1.21	GBT894.1-38	RETAINER RING		1	
1.22	FT804.42.110	SCREW PLUG		2	
1.23	JBT982-18	WASHER		2	
1.24	FT804.42.151	SPRING		1	
1.25	GBT308-10-G100-b	STEEL BALL		1	
1.26	TB554.421B.1-08	FORK SHAFT		1	
1.27	TB554.421B.1-07	RELEASE FORK		1	
1.28	FT800.37.194	LOCKING SCREW		1	
1.29	TA800.212B-02	LOW CARTON STEEL WIRE SZ-1.40		1	

TB554. 421D TRANSFER CASE HOUSING ASSEMBLY (cont' d.)

No.	Part No.	Description	Version	QTY.	Remark
1.31	GBT93-10-A0P	WASHER		4	
1.32	TB554.423B-01	SIDE COVER		1	
1.33	TB554.423B-02	ROTARY SHAFT SPACER BUSH		1	
1.34	GBT3452.1-17.0X1.80G	O-RING 9.3X2.2-M12X1.5		2	
1.35	TB554.423B.1	ROTARY SHAFT WELDMENT		1	
2	GBT3452.1-132X3.55G	O-SEAL RING		1	
3	GBT119.1-10m6X20-A0P	PIN		2	
4	GBT93-10-A0P	WASHER		4	
5	GBT5783-M10X30-8.8-A3L	BOLT		4	

TB554. 422 TRANSFER CASE TRANSMISSION ASSEMBLY



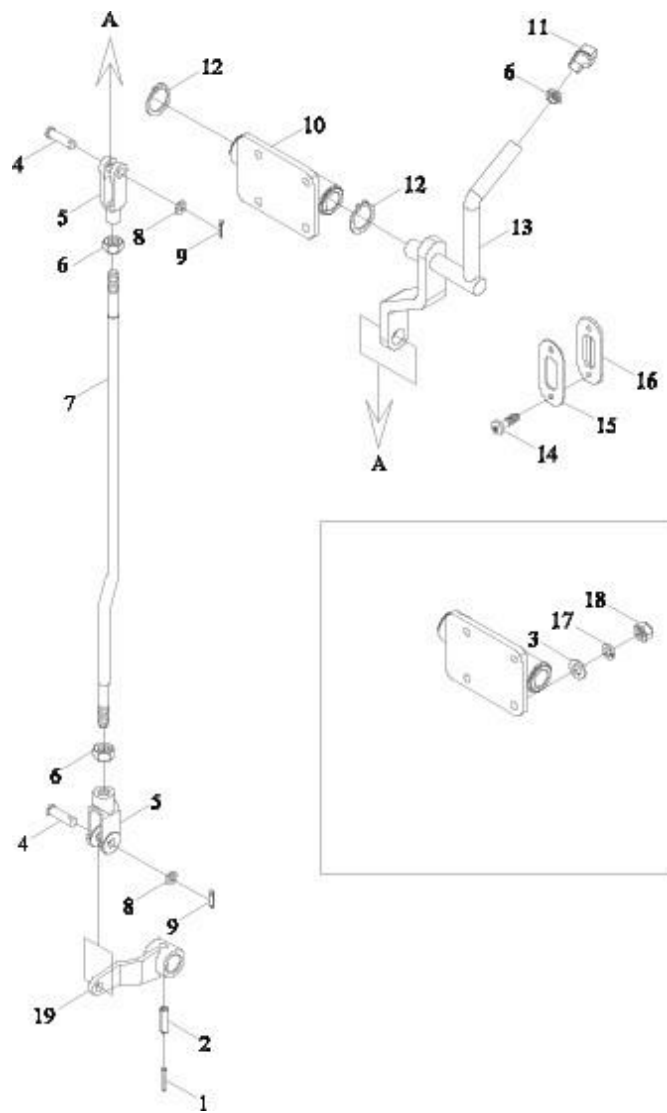
TB554. 422 TRANSFER CASE TRANSMISSION ASSEMBLY

No.	Part No.	Description	Ver- sion	QTY.	Remark
	TB554.422	TRANSFER CASE TRANS- MISSION ASSEMBLY		1	
1	GBT93-8-A0P	STANDARD SPRING WASHER		5	
2	GBT5783-M8X16-8.8-A2L	HEXAGON BOLT		1	
3	TB554.422.1HAC	TRANSFER BOX TRANS- MISSION COMBINATION		1	
3.1	FT304.42F.015	GUARD SLEEVE WELDMENT		1	
3.2	GBT3452.1-34.5X3.55G	O-SEAL RING		2	
3.3	GBT879.1-6X35	PIN		2	
3.4	FT304.42.107a	SPLINE BUSH		2	
3.5	FT404.42.128	REAR TRANSMISSION SHAFT		1	
3.6	GBT894.1-26	RETAINER RING		2	
3.7	FT304.42X.017	GUARD SLEEVE WELDMENT		2	
3.8	GBT5783-M8X20-8.8-A2L	HEXAGON BOLT		10	
3.9	GBT93-8-A0P	STANDARD SPRING WASHER		8	
3.10	TB554.422.1	MIDDLE BEARING SEAT ASSEMBLY		1	
3.10 .1	GBT893.2-72	RETAINER RING		1	
3.10 .2	FT304.42X.136	SPACER RING		1	
3.10 .3	GBT276-6007-2RS	DEEP GROOVE BALL BEARING		1	
3.10 .4	FT304.42X.137	RUBBER RING		1	
3.10 .5	FT304.42X.138	MIDDLE BEARING SEAT		1	
3.10 .6	FT304.42X.135	MIDDLE SPLINE BUSH		1	
3.10 .7	GBT119.1-8m6X20-A0P	COLUMN PIN		2	
3.11	TB554.422-01	FRONT TRANSMISSION SHAFT		1	
3.12	TB554.422.2	SLEEVE WELDMENT 3		1	
4	GBT97.1-10-A0P	WASHER		4	
5	GBT93-10-A0P	WASHER		2	

TB554. 422 TRANSFER CASE TRANSMISSION ASSEMBLY (cont' d.)

No.	Part No.	Description	Version	QTY.	Remark
6	GBT95-8-A0P	FLAT WASHER		1	
8	GBT93-12-A0P	STANDARD SPRING WASHER		2	
9	GBT5783-M12X40-8.8-A3L	HEXAGON BOLT		2	
10	GBT5783-M10X25-8.8-A3L	HEXAGON BOLT		4	

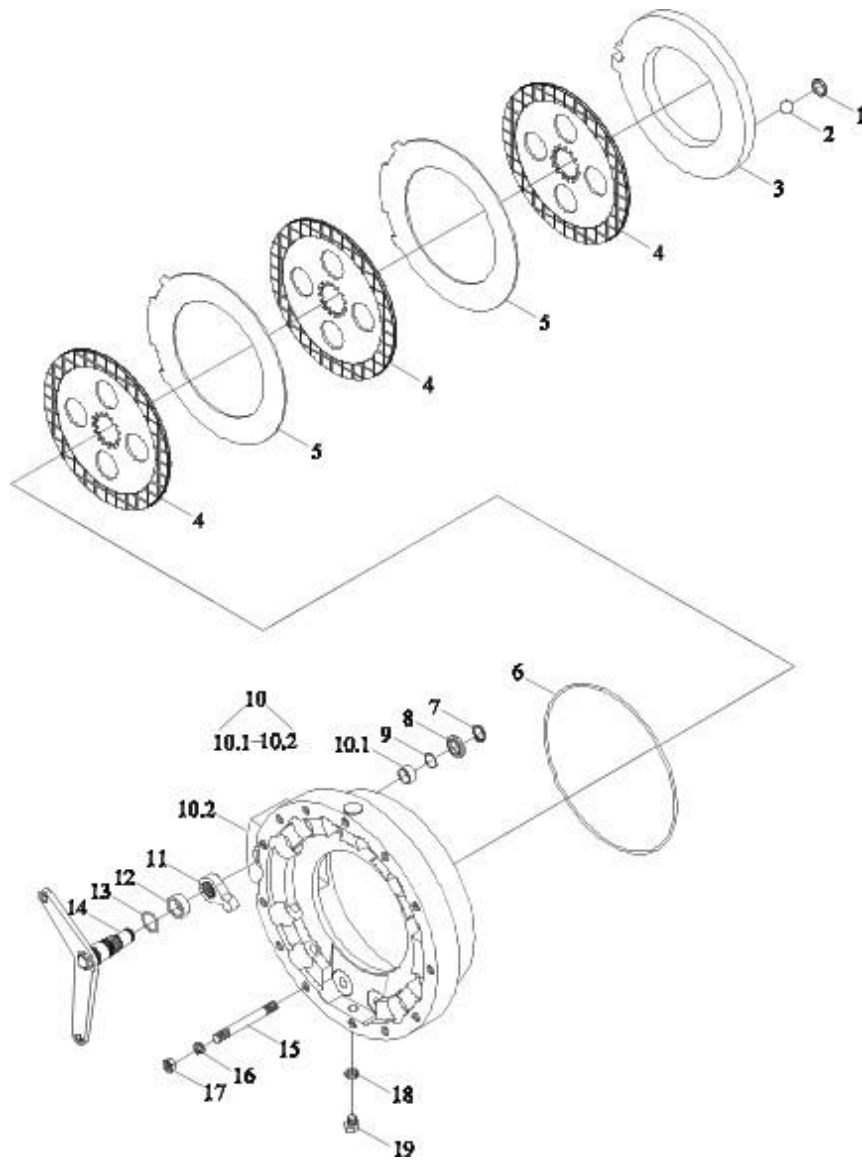
TS04423010000 TRANSFER CASE CONTROL ASSEMBLY



TS04423010000 TRANSFER CASE CONTROL ASSEMBLY

No.	Part No.	Description	Version	QTY.	Remark
	TS04423010000	TRANSFER CASE CONTROL ASSEMBLY		1	
1	GBT879.1-5X32	SPRING COLUMN PIN		1	
2	GBT879.1-8X32	SPRING COLUMN PIN		1	
3	GBT97.1-8-A0P	FLAT WASHER		4	
4	GBT882-B10X30-A0P	PIN SHAFT		2	
5	FT300.43.108	PULL ROD FRONT FORK		2	
6	GBT6170-M10-8-A3L	HEXAGON NUT, TYPE-1		3	
7	TS04423010004	PULL ROD		1	
8	GBT97.1-10-A0P	FLAT WASHER		2	
9	GBT91-3.2X16-A0P	SPLIT PIN		2	
10	TS04423010003	SUPPORT SEAT		1	
11	TS04423010001	TRANSFER CASE CONTROL HANDLE		1	
12	GBT894.1-22	CIRCLIP FOR SHAFT		2	
13	TS04423010002	STEERING AXLE WELDMENT		1	
14	GBT823-M6X12-4.8-A2L	SCREW		2	
15	TS04423010013	PRESSURE PLATE		1	
16	TS04423010012	SEAL GASKET		1	
17	GBT93-8-A0P	STANDARD SPRING WASHER		4	
18	GBT6170-M8-8-A2L	HEXAGON NUT, TYPE-1		4	
19	TS04423010005	ROCKER WELDMENT		1	

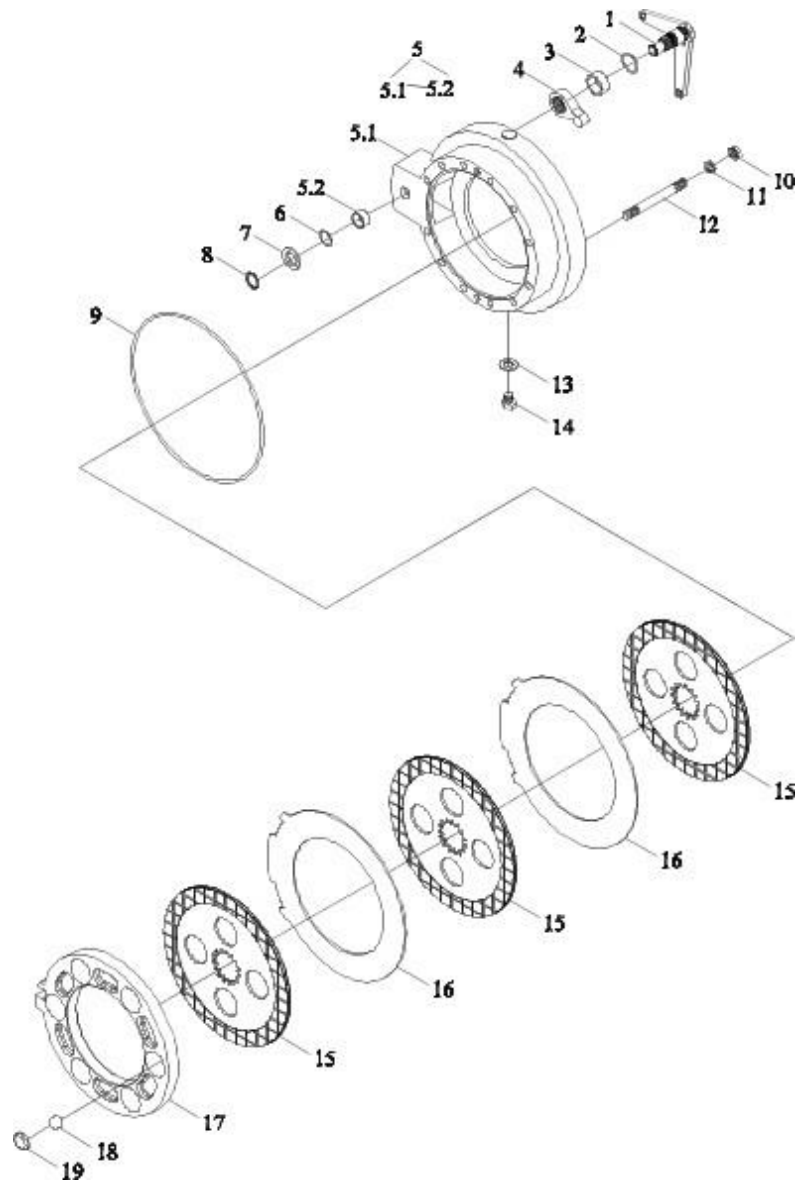
TB704. 431 LEFT BRAKE ASSEMBLY



TB704. 431 LEFT BRAKE ASSEMBLY

No.	Part No.	Description	Version	QTY.	Remark
	TB704.431	LEFT BRAKE ASSEMBLY		1	
1	FT300.43.102	BOWL PLUG		6	
2	GBT308-18-G100-b	STEEL BALL		6	
3	TB550.431-01	LEFT BRAKE PRESSURE PLATE		1	
4	TB550.431.3	BRAKE FRICTION PLATE ASSEMBLY		3	
5	FT300.43.105	SPACER PLATE		2	
6	FT300.43.101	O-RING		1	
7	GBT894.1-18	CIRCLIP FOR SHAFT		1	
8	FT300.43.109a	WASHER		1	
9	GBT3452.1-18.0X2.65G	RUBBER O-SEAL RING		1	
10	TB550.431.1	LEFT BRAKE HOUSING		1	
10.1	TB550.431.1-02	CRANK SHAFT BUSH		1	
10.2	TB550.431.1-01	LEFT BRAKE HOUSING		1	
11	TB550.431-02	DIAL BLOCK		1	
12	FT300.43.107	SPACER BUSH		1	
13	GBT3452.1-20.0X2.65G	RUBBER O-SEAL RING		1	
14	TB704.431.1	LEFT CRANK WELDMENT		13	
15	GBT899-AM12- M12X1.25X80-10.9-A 2L	DOUBLE END STUDS		1	
16	GBT93-12	STANDARD SPRING WASHER		1	
17	GBT6171-M12X1.25-10-A2L	HEXAGON NUT, TYPE-1		13	
18	JBT982-12	COMBINED SEAL GASKET		1	
19	FT300.43.154	SCREW PLUG		13	

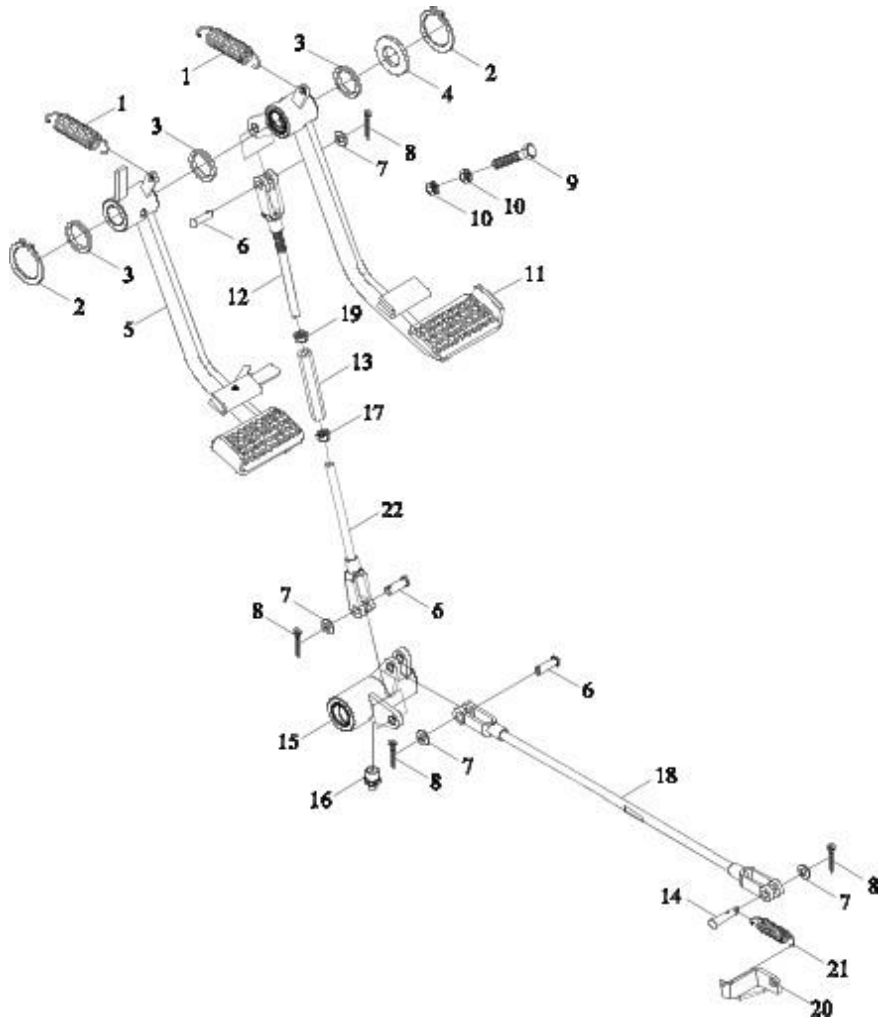
TB704. 432 RIGHT BRAKE ASSEMBLY



TB704. 432 RIGHT BRAKE ASSEMBLY

No.	Part No.	Description	Version	QTY.	Remark
	TB704.432	RIGHT BRAKE ASSEMBLY		1	
1	TB704.432.1	RIGHT CRANK UNIT		1	
2	GBT3452.1-20.0X2.65G	O-RING 9.3X2.2-M12X1.5		1	
3	FT300.43.107	SPACER BUSH		1	
4	TB550.431-02	DIAL BLOCK		1	
5	TB550.432.1	RIGHT BRAKE HOUSING ASSEMBLY		1	
5.1	TB550.432.1-01	RIGHT BRAKE HOUSING		1	
5.2	TB550.431.1-02	CRANK SHAFT BUSH		1	
6	GBT3452.1-18.0X2.65G	O-RING 9.3X2.2-M12X1.5		1	
7	FT300.43.109a	WASHER		1	
8	GBT894.1-18	CIRCLIP FOR SHAFT		1	
9	FT300.43.101	O-RING		1	
10	GBT6171-M12X1.25-10-A2L	NUT		13	
11	GBT93-12	WASHER		13	
12	GBT899-AM12-M12X1.25X80-10.9-A 2L	STUD		13	
13	FT300.43.153	FINAL TRANSMISSION OIL DRAINING PORT WASHER		1	
14	FT300.43.154	SCREW PLUG		1	
15	TB550.431.3	BRAKE FRICTION PLATE ASSEMBLY		3	
16	FT300.43.105	SPACER PLATE		2	
17	TB550.432-01	RIGHT BRAKE PLATEN		1	
18	GBT308-18-G100-b	STEEL BALL		6	
19	FT300.43.102	BOWL PLUG		6	

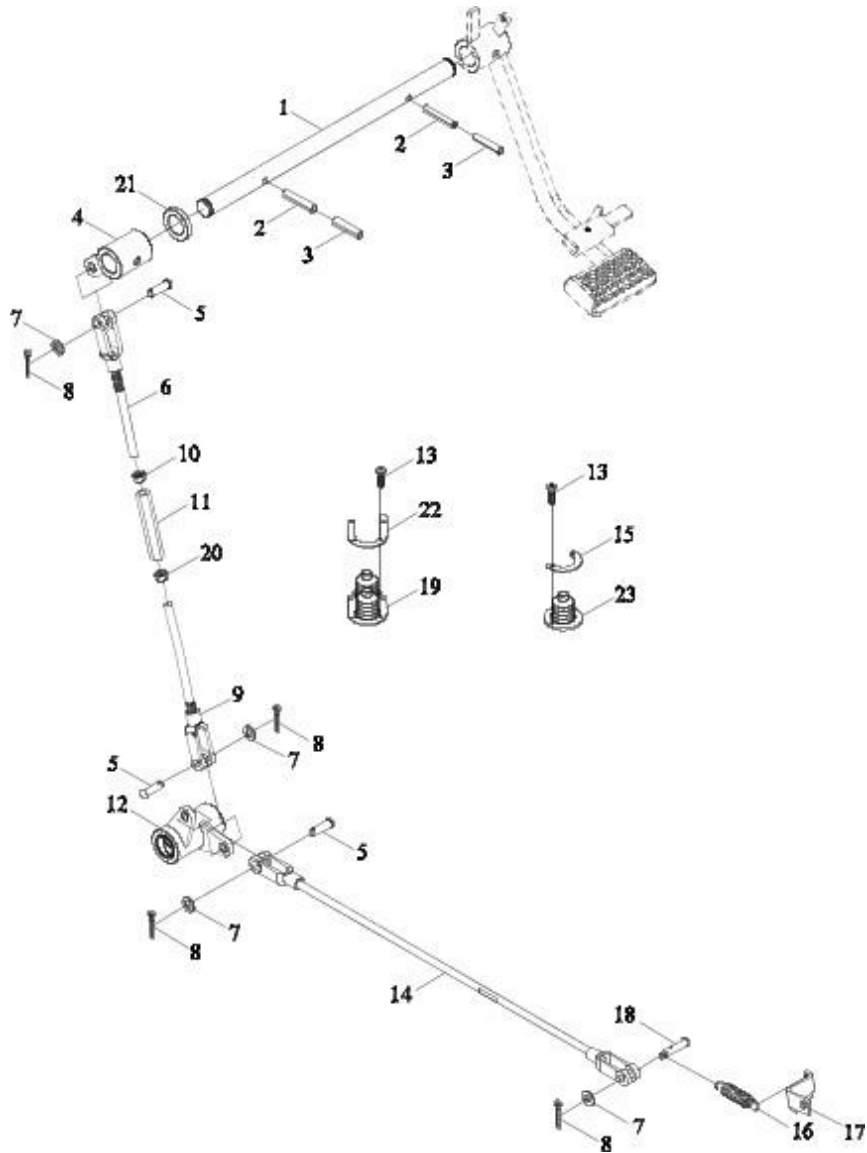
TS04433010000 BRAKE SYSTEM CONTROL ASSEMBLY-1



TS04433010000 BRAKE SYSTEM CONTROL ASSEMBLY-1

No.	Part No.	Description	Version	QTY.	Remark
	TS04433010000	BRAKE SYSTEM CONTROL ASSEMBLY		1	
1	TE250.212D-05	CLUTCH PEDAL RETURN SPRING		2	
2	GBT894.1-25-A3L	SPRING RETAINER RING		2	
3	GBT97.1-24-A3L	FLAT WASHER		1	
4	TE250.433C-02	WASHER		7	
5	TS04433010025	LEFT BRAKE PEDAL UNIT		1	
6	GBT882-B10X30-A3L	PIN SHAFT		2	
7	GBT97.1-10-A3L	FLAT WASHER		4	
8	GBT91-3.2X22-A3L	SPLIT PIN		4	
9	GBT5783-M10X45-8.8-A3L	HEXAGON BOLT		2	
10	GBT6170-M10-8-A3L	HEXAGON NUT, TYPE-1		2	
11	TS04433010028	RIGHT BRAKE PEDAL UNIT		1	
12	TB604.212A.5	UPPER PULL ROD WELDMENT		1	
13	TE354.433-03	CONNECTING ROD		2	
14	TB704.433-04	CONNECTING PIN		1	
15	TB604.433E.5	ROCKER UNIT HUB		1	
16	JBT7940.1-M8X1	STRAIGHT FORCED FILLING OIL CUP		3	
17	GBT6171-M12X1.5-LH-8-A3L	HEXAGON NUT, TYPE-1		1	
18	TS04433010030	BRAKE PULL ROD		1	
19	GBT6171-M12X1.5-8-A3L	HEXAGON NUT, TYPE-1		1	
20	TB704.433.5	RIGHT RETURN SPRING CONNECTING PLATE WELDMENT		1	
21	TB504.433-09	RETURN SPRING		1	
22	TB604.433E.10	LOWER PULL ROD WELDMENT		2	

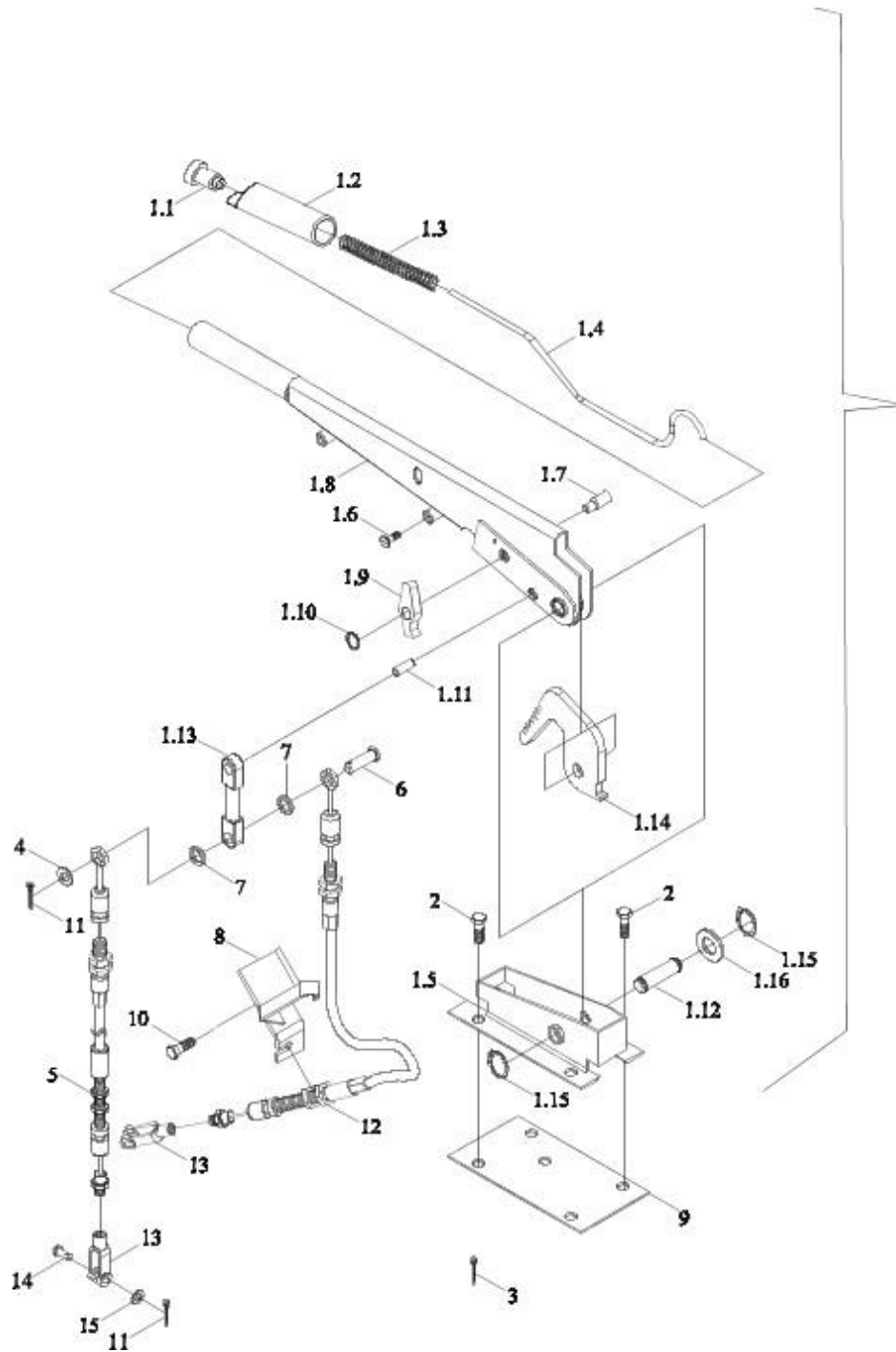
TS04433010000 BRAKE SYSTEM CONTROL ASSEMBLY-2



TS04433010000 BRAKE SYSTEM CONTROL ASSEMBLY-2

No.	Part No.	Description	Version	QTY.	Remark
	TS04433010000	BRAKE SYSTEM CONTROL ASSEMBLY		1	
1	TB604.433E-01	SUPPORT SHAFT		2	
2	GBT879.1-5X40	SPRING COLUMN PIN		2	
3	GBT879.1-8X40	SPRING COLUMN PIN		1	
4	TB604.433E.3	LEFT DRAW ARM WELDMENT		2	
5	GBT882-B10X30-A3L	PIN SHAFT		1	
6	TB604.212A.5	UPPER PULL ROD WELDMENT		6	
7	GBT97.1-10-A3L	FLAT WASHER		6	
8	GBT91-3.2X22-A3L	SPLIT PIN		1	
9	TB604.433E.10	LOWER PULL ROD WELDMENT		1	
10	GBT6171-M12X1.5-8-A3L	HEXAGON NUT, TYPE-1		2	
11	TE354.433-03	CONNECTING ROD		1	
12	TB604.433E.4	ROCKER UNIT HUB		1	
13	GBT818-M5X14-4.8-A2L	CROSS SCREW		6	
14	TS04433010030	BRAKE PULL ROD		1	
15	TB3S433010009	SEAL SLEEVE PRESSURE PLATE		1	
16	TB504.433-09	RETURN SPRING		1	
17	TB704.433.6	LEFT RETURN SPRING CONNECTING PLATE WELDMENT		1	
18	TB704.433-04	CONNECTING PIN		2	
19	TB3S433010010	DUST COVER		1	
20	GBT6171-M12X1.5-LH-8-A3L	HEXAGON NUT, TYPE-1		1	
21	TS04433010011	SPACER BUSH		1	
22	TB3S433010011	SEAL SLEEVE PRESSURE PLATE 1		1	
23	TB3S433010008	DUSTPROOF SLEEVE		1	

TS04433010000 BRAKE SYSTEM CONTROL ASSEMBLY-3



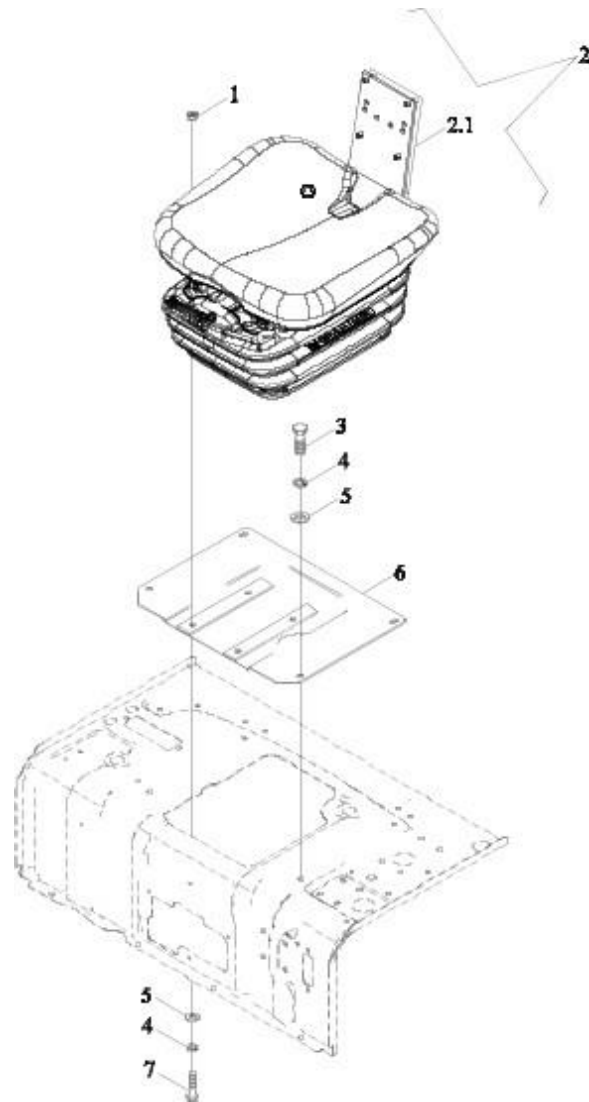
TS04433010000 BRAKE SYSTEM CONTROL ASSEMBLY-3

No.	Part No.	Description	Ver- sion	QTY.	Remark
	TS04433010000	BRAKE SYSTEM CONTROL ASSEMBLY		1	
1	TS04433010001	CONTROLLING HANDLE ASSEMBLY		1	
1.1	FT800A.21.045	BUTTON ASSEMBLY		1	
1.2	TH04435010009	CONTROLLING HANDLE SLEEVE		1	
1.3	FT800.43.180	SPRING		1	
1.4	FT800A.21.315	TOP ROD		1	
1.5	TS06435010005	FIXING SEAT WELDMENT		1	
1.6	GBT68-M4X10-4.8-A2L	SLOTTED SCREW		4	
1.7	FT800A.21.322	SMALL PIN SHAFT		1	
1.8	FT800A.21.044	CONTROLLING HANDLE ASSEMBLY		1	
1.9	FT800A.21.314	PAWL		1	
1.10	GBT894.1-6	CIRCLIP FOR SHAFT		1	
1.11	FT800A.21.323	PIN		1	
1.12	FT800A.21.321	PIN SHAFT		1	
1.13	TB604.433E.9-01	SHORT PULL ROD		1	
1.14	FT800A.43.310	RATCHET WHEEL		1	
1.15	GBT894.1-13	CIRCLIP FOR SHAFT		2	
1.16	TS06212010009	WASHER		2	
2	GBT16674.1-M8X20-8.8-A2L	HEXAGON FLANGE NUT		4	
3	GBT91-2X20-A3L	SPLIT PIN		1	
4	GBT97.1-8-A3L	FLAT WASHER		5	
5	TS04433010006	RIGHT BRAKE PULL WIRE ASSEMBLY		1	
6	GBT882-B8X40-A3L	PIN SHAFT		1	
7	TB604.433E-04	SMALL RETAINER RING		2	
8	TS04433030001	LEFT PULL WIRE SUPPORT SEAT WELDMENT		1	
9	TS04433010002	DUSTPROOF MAT		1	
10	GBT16674.1-M10X20-8.8-A3L	HEXAGON FLANGE NUT		2	
11	GBT91-3.2X22-A3L	SPLIT PIN		6	
12	TS04433010007	LEFT BRAKE WIRE ASSEMBLY		1	
13	TA700.431A-01	DEXTROROTATION LONG HOLE CONNECT FORK		2	

TS04433010000 BRAKE SYSTEM CONTROL ASSEMBLY-3 (cont'd.)

No.	Part No.	Description	Version	QTY.	Remark
14	GBT882-B10X30-A3L	PIN SHAFT		5	
15	GBT97.1-10-A3L	FLAT WASHER		6	

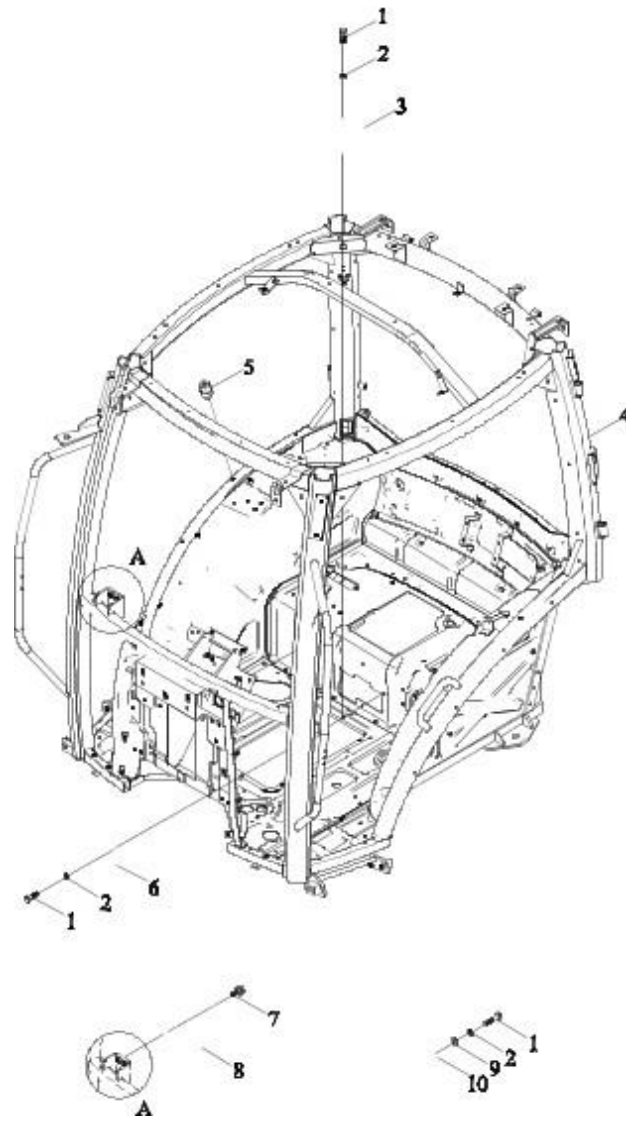
TC02440080000K SEAT INSTALLATION ASSEMBLY



TC02440080000K SEAT INSTALLATION ASSEMBLY

No.	Part No.	Description	Version	QTY.	Remark
	TC02440080000K	SEAT INSTALLATION ASSEMBLY		1	
1	GBT6170-M8-8-A2L	HEXAGON NUT, TYPE-1		4	
2	TC02440050001K	SEAT ASSEMBLY		1	
2.1	TC02440050002K	SEAT		1	
3	GBT5783-M8X25-8.8-A2L	HEXAGON BOLT		4	
4	GBT93-8-A3L	STANDARD SPRING WASHER		8	
5	GBT97.1-8-A3L	FLAT WASHER		8	
6	TC02440080003K	SEAT INSTALLATION PLATE WELDMENT		1	
7	GBT5783-M8X30-8.8-A2L	HEXAGON BOLT		4	

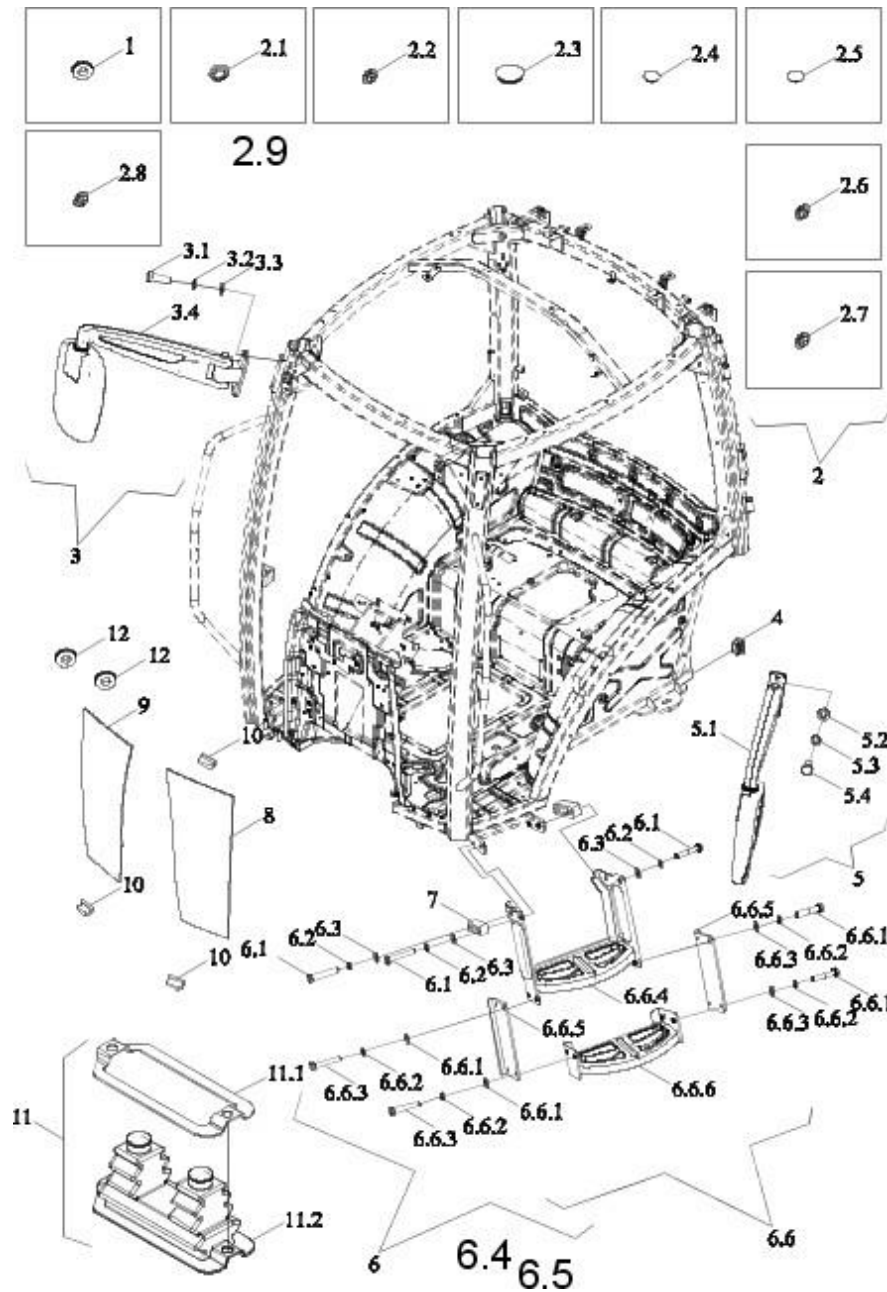
TS04451040000K DRIVER'S CAB ASSEMBLY-1



TS04451040000K DRIVER' S CAB ASSEMBLY-1

No.	Part No.	Description	Ver- sion	QTY.	Remark
	TS04451040000K	DRIVER'S CAB ASSEMBLY		1	
	TS04451040001K	CAB WELDMENT		1	
1	GBT5783-M6X16-8.8-A2L	HEXAGON BOLT		11	
2	GBT93-6-A3L	STANDARD SPRING WASHER		11	
3	TS04451012001	BONNET		1	
4	TS04451040002K	CAB WELDMENT		1	
5	TS06451011153	DOOR PNEUMATIC SPRING INSTALLATION SEAT		2	
6	TS04451012005	REAR FLOOR COVER		1	
7	GBT16674.1-M10X20-8.8- A3L	HEXAGON FLANGE NUT		3	
8	TS04451040005K	HANDDLE BRACKET		1	
9	GBT97.1-6-A3L	FLAT WASHER		2	
10	TS04451012002	COVER PLATE		1	

TS04451040000K DRIVER'S CAB ASSEMBLY-2



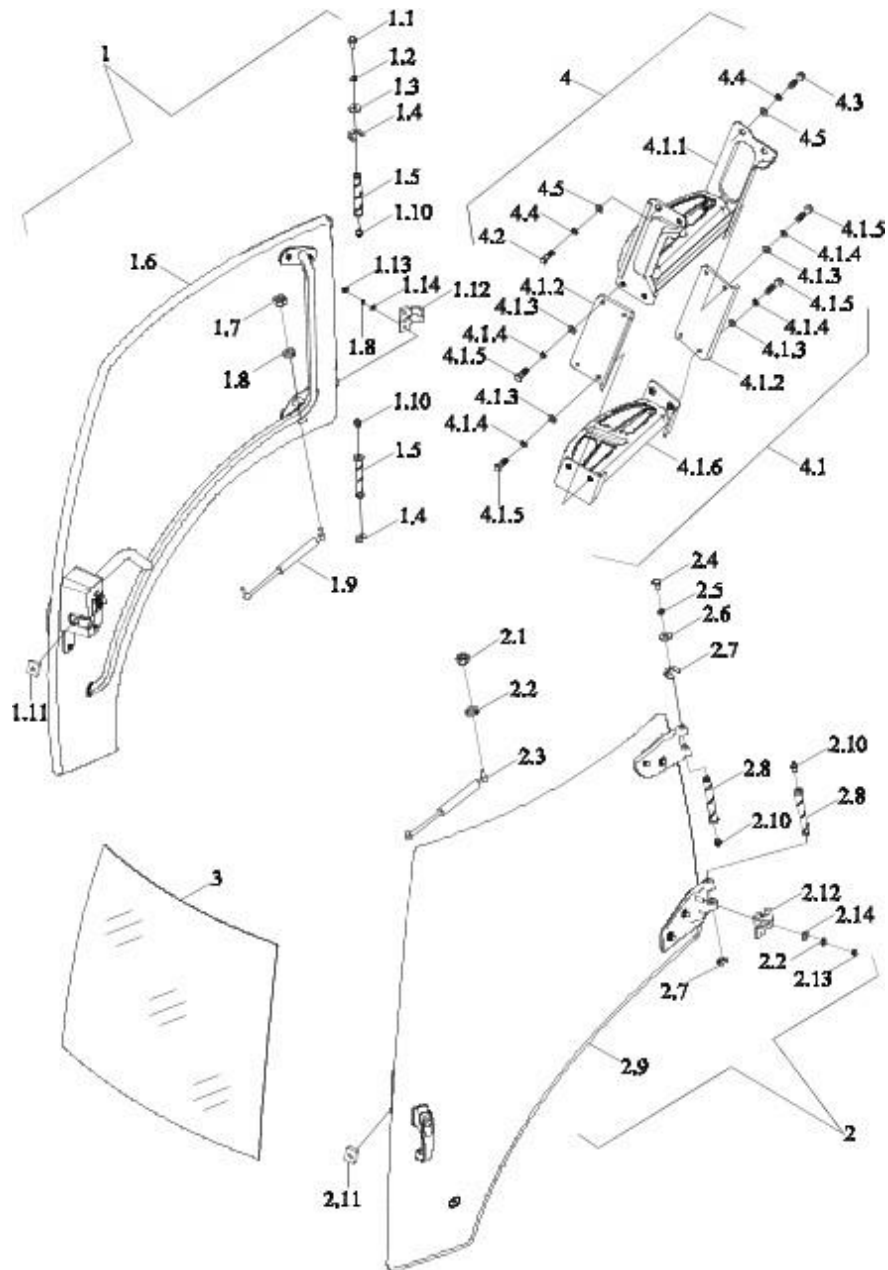
TS04451040000K DRIVER' S CAB ASSEMBLY-2

No.	Part No.	Description	Ver- sion	QTY.	Remark
	TS04451040000K	DRIVER'S CAB ASSEMBLY		1	
	TS04451010002	CAB ACCESSORY		1	
1	FT65.48.093	THROUGH HARNESS WASHER-1		4	
2	TS04451019000	CAB SEAL		1	
2.1	TS04451010020	PLUG COVER		2	
2.2	TS06451019001	PROCESS PLUG COVER 1		14	
2.3	TD800.452-13	PLUG COVER		4	
2.4	TS06451019002	PROCESS PLUG COVER 2		4	
2.5	TS06451019004	PROCESS PLUG COVER 4		1	
2.6	TS06451019003	PROCESS PLUG COVER 3		6	
2.7	TS04451010030	PLUG COVER		6	
2.8	TD800.452Z-01	PLUG COVER		1	
2.9	TS04451010050	PLUG COVER		1	
3	TS06451018201	RIGHT REAR MIRROR IN- STALLATION ASSEMBLY		1	
3.1	GBT5783-M8X25-10.9-A2L	HEXAGON BOLT		2	
3.2	GBT93-8-A0P	STANDARD SPRING WASHER		2	
3.3	GBT97.1-8-A0P	FLAT WASHER		2	
3.4	TS06451018200	RIGHT REAR MIRROR ASSEMBLY		1	
4	TS04451010010	PLUG COVER		2	
5	TS06451018101	LEFT REAR VIEW MIRROR INSTALLATION ASSEMBLY		1	
5.1	TS06451018100	LEFT REAR MIRROR ASSEMBLY		1	
5.2	GBT97.1-8-A0P	FLAT WASHER		2	
5.3	GBT93-8-A0P	STANDARD SPRING WASHER		2	
5.4	GBT5783-M8X25-10.9-A2L	HEXAGON BOLT		2	
6	TS04451017000	LEFT LADDER		1	
6.1	GBT5782-M10X55-8.8-A2L	HEXAGON BOLT		1	
6.2	GBT95-10-A0P	FLAT WASHER		5	
6.3	GBT93-10-A0P	STANDARD SPRING WASHER		4	
6.4	GBT6170-M10-8-A3L	HEXAGON NUT, TYPE-1		1	
6.5	GBT5782-M10X50-8.8	HEXAGON BOLT		3	

TS04451040000K DRIVER' S CAB ASSEMBLY-2 (cont' d.)

No.	Part No.	Description	Version	QTY.	Remark
6.6	TS04451017206	LADDER		1	
7	TS04451015004	LEFT FRONT LOWER WINDOW GLASS		1	
8	TS04451015005	RIGHT FRONT LOWER WINDOW GLASS		1	
9	TS06451011269	GLASS MOUNTINGS MAT		2	
10	TS06451011269	GLASS MOUNTINGS MAT		4	
11	TS04451040040	HANDLE BONNET		1	
11.1	TS04451040042	BONNET PRESSURE PLATE		1	
11.2	TS04451040041	HANDLE BONNET		1	
12	TS06811010008	GUARD RING 1		1	

TS04451040000K DRIVER'S CAB ASSEMBLY-3



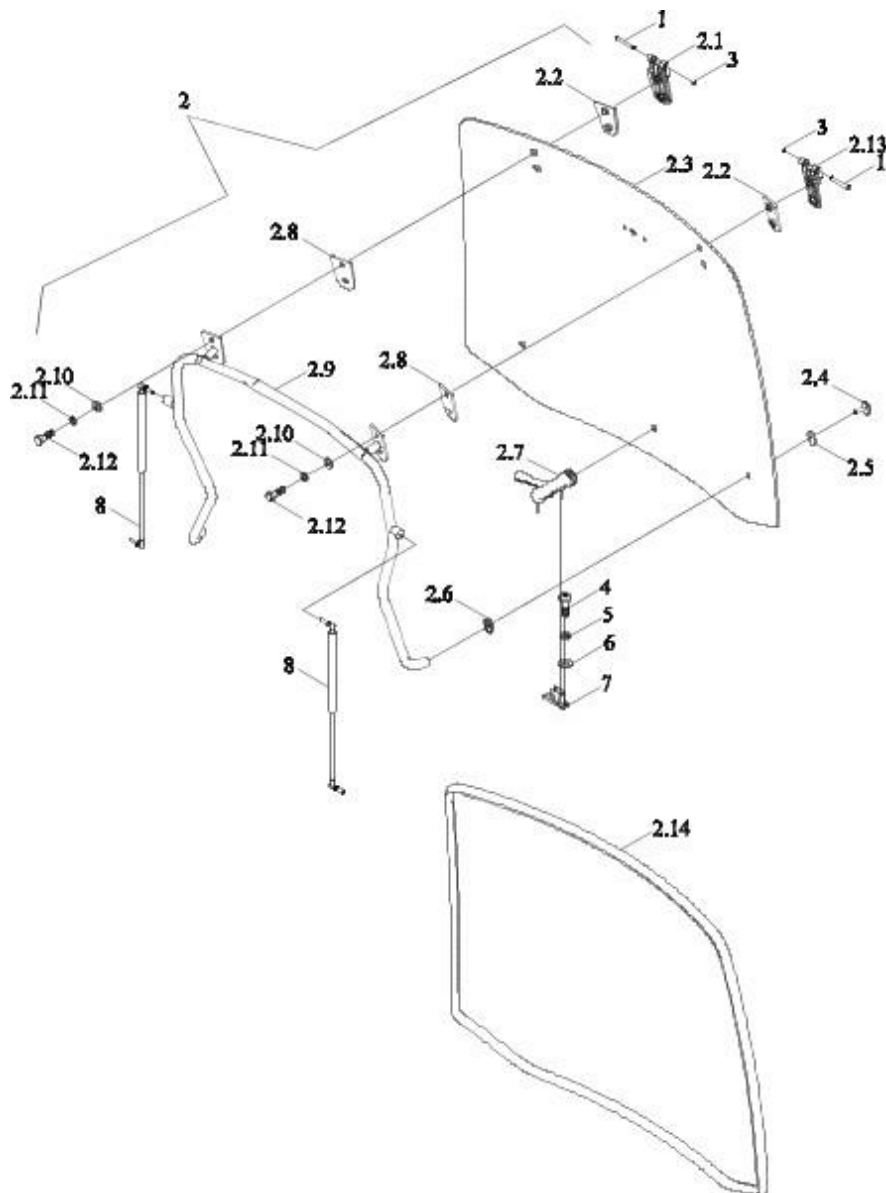
TS04451040000K DRIVER' S CAB ASSEMBLY-3

No.	Part No.	Description	Ver- sion	QTY.	Remark
	TS04451040000K	DRIVER'S CAB ASSEMBLY		1	
	TS04451010002	CAB ACCESSORY		1	
1	TS04451044000	RIGHT DOOR ASSEMBLY		1	
1.1	GBT5783-M6X12-8.8	HEXAGON BOLT		1	
1.2	GBT93-6-O	STANDARD SPRING WASHER		1	
1.3	GBT96.1-6	BIG WASHER		1	
1.4	GBT896-12-A3L	SPLIT RETAINER RING		2	
1.5	TS06451013002	DOOR LOCK PIN SHAFT		2	
1.6	TS04451044100	RIGHT DOOR		1	
1.7	GBT6170-M8-8-A2L	HEXAGON NUT, TYPE-1		1	
1.8	GBT93-8-A3L	STANDARD SPRING WASHER		3	
1.9	TD904.451C.2-12	DOOR PNEUMATIC SPRING		1	
1.10	JBT7940.1-M6	STRAIGHT FORCED FILL- ING OIL CUP		2	
1.11	TS04451043225	DOOR STOPPER		1	
1.12	TS04451013002	DOOR LOCK NUT SEAT		1	
1.13	GBT923-M8-5	CAP NUT		2	
1.14	GBT97.1-8-A3L	FLAT WASHER		2	
2	TS04451043000	LEFT DOOR ASSEMBLY		1	
2.1	GBT6170-M8-8-A2L	HEXAGON NUT, TYPE-1		1	
2.2	GBT93-8-A3L	STANDARD SPRING WASHER		3	
2.3	TD904.451C.2-12	DOOR PNEUMATIC SPRING		1	
2.4	GBT5783-M6X12-8.8	HEXAGON BOLT		1	
2.5	GBT93-6-O	STANDARD SPRING WASHER		1	
2.6	GBT96.1-6	BIG WASHER		1	
2.7	GBT896-12-A3L	SPLIT RETAINER RING		2	
2.8	TS06451013002	DOOR LOCK PIN SHAFT		2	
2.9	TS04451043100	LEFT DOOR		1	
2.10	JBT7940.1-M6	STRAIGHT FORCED FILL- ING OIL CUP		2	
2.11	TS04451043225	DOOR STOPPER		1	
2.12	TS04451013002	DOOR LOCK NUT SEAT		1	
2.13	GBT923-M8-5	CAP NUT		2	

TS04451040000K DRIVER' S CAB ASSEMBLY-3 (cont' d.)

No.	Part No.	Description	Ver- sion	QTY.	Remark
2.14	GBT97.1-8-A3L	FLAT WASHER		2	
3	TS04451015001	FRONT WINDSHIELD		1	
4	TS04451017509	RIGHT LADDER		1	
4.1	TS04451017514	RIGHT LADDER		1	
4.2	GBT5782-M10X50-8.8-A3L	HEXAGON BOLT		2	
4.3	GBT5783-M10X35-8.8-A3L	HEXAGON BOLT		2	
4.4	GBT93-10-A3L	STANDARD SPRING WASHER		4	
4.5	GBT95-10-A3L	FLAT WASHER		4	

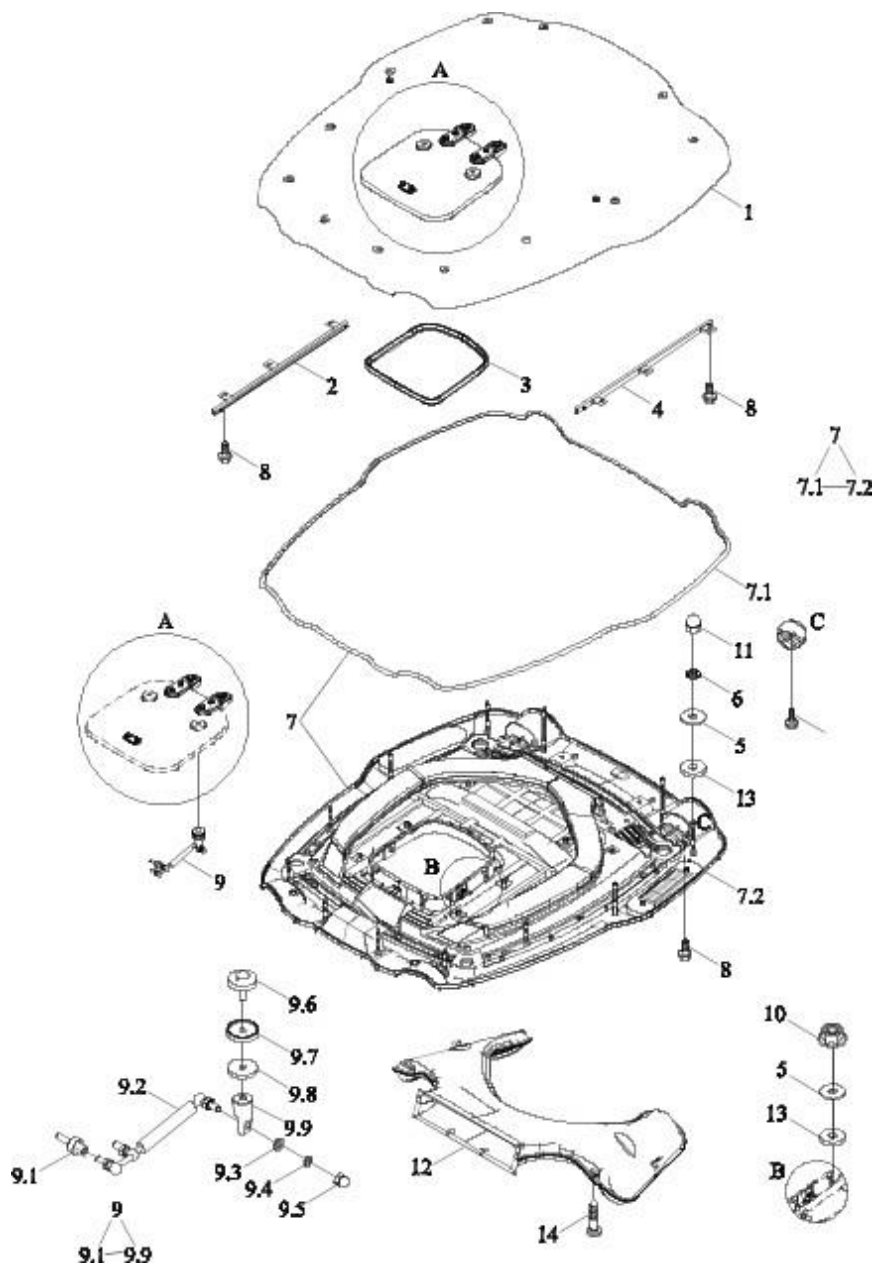
TS04451040000K DRIVER'S CAB ASSEMBLY-4



TS04451040000K DRIVER' S CAB ASSEMBLY-4

No.	Part No.	Description	Ver- sion	QTY.	Remark
	TS04451040000K	DRIVER'S CAB ASSEMBLY		1	
	TS04451010002	CAB ACCESSORY		1	
	TS04451046000	REAR WINDOW ASSEMBLY		1	
1	TS06451016004	BACK WINDOWS HINGED PIN SHAFT		2	
2	TS04451046100	BACK WIND WINDOWS		1	
2.1	TS04451046111	BACK WINDOWS RIGHT HINGED SEAT		1	
2.2	TS06451016112	BACK WINDOWS HINGED OUT PAD BOARD		2	
2.3	TS04451016101	BACK WIND WINDOW GLASS		1	
2.4	TS04451013106	CAST BOLT		2	
2.5	TD904.451C.2-10	GLASS OUT WASHER		2	
2.6	TD904.451C.2-09	GLASS IN WASHER		2	
2.7	TS06451016109	HANDLE ASSEMBLY		1	
2.8	TS04451046113	BACK WINDOWS HINGED INTO PAD BOARD		2	
2.9	TS04451016102	REAR WINDOW ARMREST WELDMENT		1	
2.10	GBT96.1-8-A3L	BIG WASHER		4	
2.11	GBT93-8-A0P	STANDARD SPRING WASHER		4	
2.12	GBT5783-M8X25-8.8-A2L	HEXAGON BOLT		4	
2.13	TS04451046110	BACK WINDOWS LEFT HINGED SEAT		1	
2.14	TS04451016108	REAR WINDOW SEAL STRIP		1	
3	GBT896-6	SPLIT RETAINER RING		2	
4	GBT818-M6x20-4.8	CROSS SCREW		2	
5	GBT93-6-A0P	STANDARD SPRING WASHER		2	
6	GBT97.1-6-A0P	FLAT WASHER		2	
7	TS06451016003	SEAT		1	
8	TS06451016001	REAR WINDOW PNEU- MATIC SPRING		2	

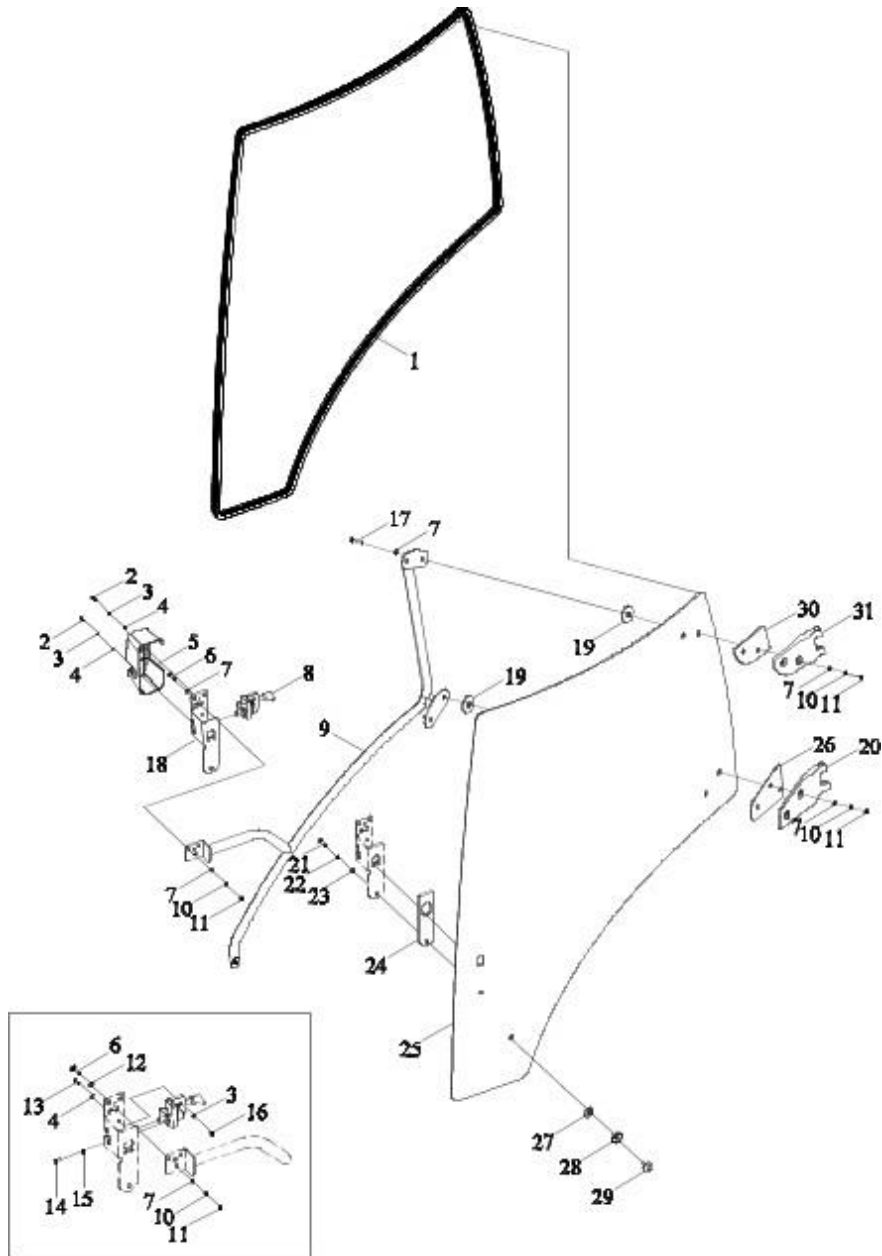
TS04451040000K DRIVER'S CAB ASSEMBLY-5



TS04451040000K DRIVER' S CAB ASSEMBLY-5

No.	Part No.	Description	Ver- sion	QTY.	Remark
	TS04451040000K	DRIVER'S CAB ASSEMBLY		1	
	TS04453015000	TOP COVER ASSEMBLY		1	
1	TS04453015100	OUT TOP		1	
2	TS06453015800	RIGHT SLIDEWAY		1	
3	TS04453015400	SEAL STRIP		1	
4	TS06453015700	LEFT SLIDEWAY		1	
5	GBT96.1-6-A3L	BIG WASHER		18	
6	GBT93-6-A3L	STANDARD SPRING WASHER		12	
7	TS04453015202	INNER TOP		1	
7.1	TS04453015500	TOP SEAL STRIP		1	
7.2	TS04453015200	INNER TOP AIR CONDITION		1	
8	GBT16674.1-M6X20-8.8-O	HEXAGON FLANGE NUT		30	
9	TS06453015600	PNEUMATIC SPRING IN- STALLATION ASSEMBLY		2	
9.1	TS06453015602	INSTALLATION SEAT 1		1	
9.2	TS06453015601	PNEUMATIC SPRING		1	
9.3	GBT97.1-8	FLAT WASHER		1	
9.4	GBT93-8-O	STANDARD SPRING WASHER		1	
9.5	GBT923-M8-5	CAP NUT		1	
9.6	TS04451013106	CAST BOLT		1	
9.7	TS06453015605	FIXING SLEEVE OUT MAT		1	
9.8	TS06453015606	FIXING SLEEVE IN MAT		1	
9.9	TS06453015603	INSTALLATION SEAT 2		1	
10	GBT6177.1-M6-8-A2L	HEXAGON FLANGE NUT		6	
11	GBT923-M6-A1-50	NUT		12	
12	TS04453015320	LOWER WIND WAY		1	
13	TS06453015001	SEAL GASKET		18	
14	Q69208	PLASTIC SPLIT PIN		2	

TS04451040000K DRIVER'S CAB ASSEMBLY-6



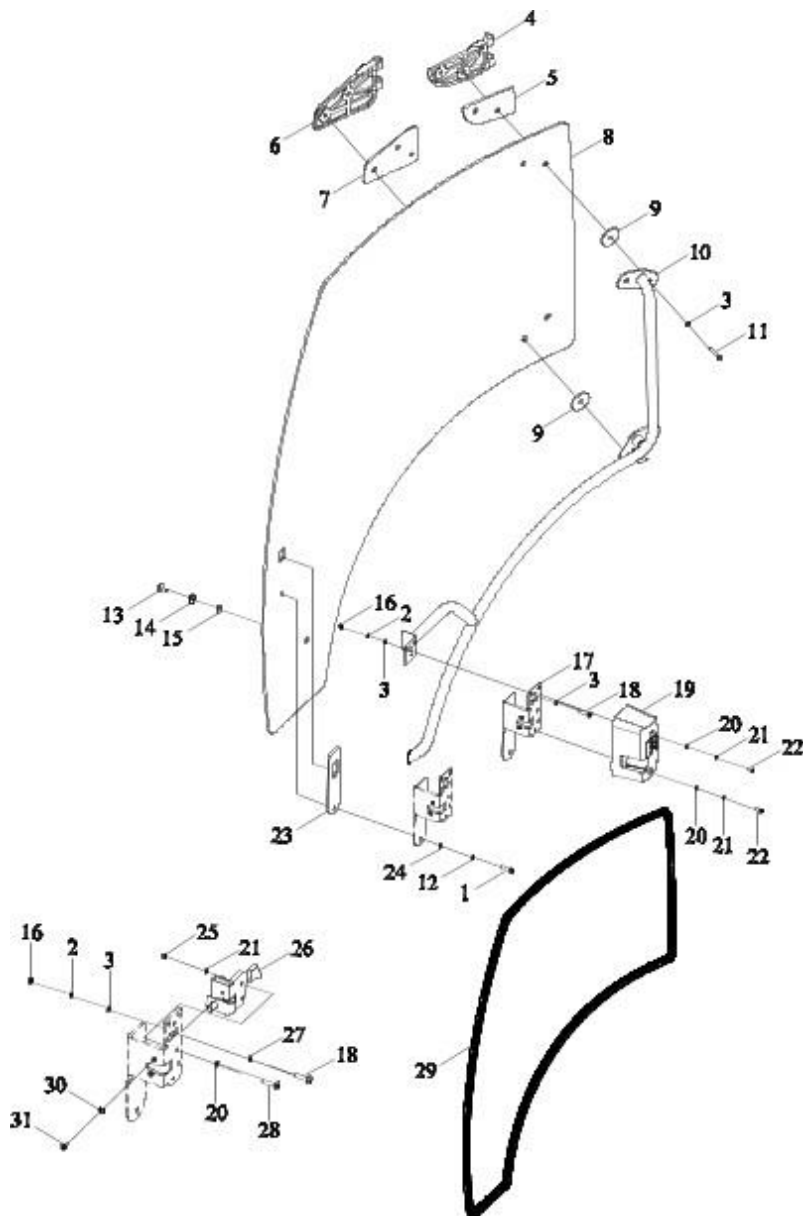
TS04451040000K DRIVER' S CAB ASSEMBLY-6

No.	Part No.	Description	Ver- sion	QTY.	Remark
	TS04451040000K	DRIVER'S CAB ASSEMBLY		1	
	TS04451010002	CAB ACCESSORY		1	
	TS04451043000	LEFT DOOR ASSEMBLY		1	
	TS04451043100	LEFT DOOR		1	
1	TS04451013102	DOOR SEAL STRIP		1	
2	GBT818-M6X16-4.8-A2L	CROSS SCREW		2	
3	GBT93-6-A0P	STANDARD SPRING WASHER		6	
4	GBT97.1-6-A0P	FLAT WASHER		8	
5	TS06451013230	LEFT DOOR LOCK BONNET		1	
6	GBT818-M8X30-4.8-A2L	CROSS SCREW		3	
7	GBT97.1-8-A0P	FLAT WASHER		9	
8	TS06451013210	LEFT DOOR LOCK BODY		1	
9	TS04451013103	LEFT DOOR RAIL WELDMENT		1	
10	GBT93-8-A0P	STANDARD SPRING WASHER		3	
11	GBT6170-M8-8-A2L	HEXAGON NUT, TYPE-1		3	
12	GBT5287-8-A0P	BIG WASHER		1	
13	GBT818-M6X30-4.8-A2L	CROSS SCREW		2	
14	GBT819.1-M6X16-4.8-A2L	CROSS SCREW		2	
15	GBT956.1-6	TAPER LOCK WASHER		2	
16	GBT6170-M6-8-A2L	HEXAGON NUT, TYPE-1		2	
17	GBT5783-M8X25-8.8-A2L	HEXAGON BOLT		4	
18	TS06451013116	LEFT DOOR LOCK BONNET		1	
19	TS04451043110	DOOR HINGE IN RUBBER WASHER		4	
20	TS04451043222	LEFT DOOR HINGE LOWER		1	
21	GBT5783-M6X35-8.8	HEXAGON BOLT		3	
22	GBT93-6-O	STANDARD SPRING WASHER		1	
23	GBT96.1-6-O	BIG WASHER		1	
24	TS04451013001	PAD BOARD		1	
25	TS04451043101	LEFT DOOR GLASS		1	
26	TS04451043112	LEFT DOOR HINGE OUT RUBBER WASHER LOWER		1	

TS04451040000K DRIVER' S CAB ASSEMBLY-6 (cont' d.)

No.	Part No.	Description	Ver- sion	QTY.	Remark
27	TS04451013121	DOOR GLASS RUBBER WASHER		1	
28	TD904.451C.2-10	GLASS OUT WASHER		1	
29	TS04451013106	CAST BOLT		1	
30	TS04451043111	LEFT DOOR HINGE OUT RUBBER WASHER UPTER		1	
31	TS04451043221	LEFT DOOR HINGE UPTER		1	

TS04451040000K DRIVER'S CAB ASSEMBLY-7



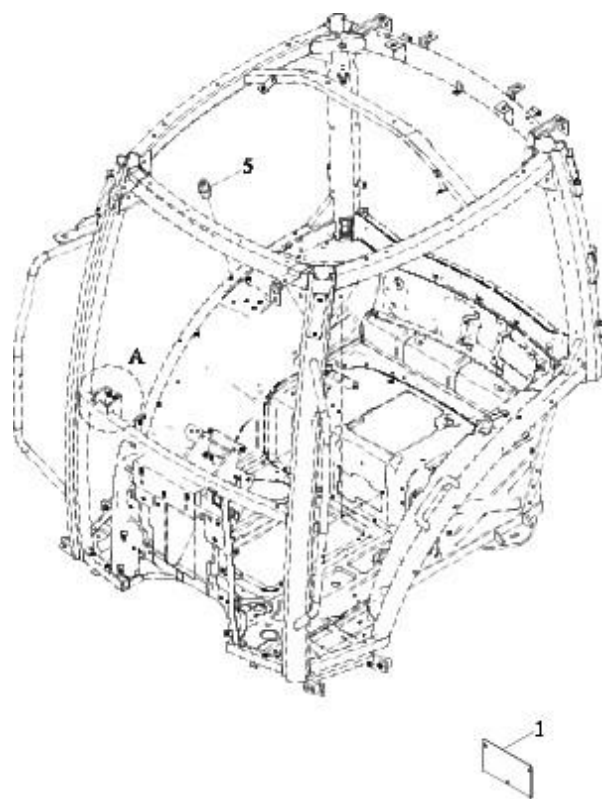
TS04451040000K DRIVER' S CAB ASSEMBLY-7

No.	Part No.	Description	Ver- sion	QTY.	Remark
	TS04451040000K	DRIVER'S CAB ASSEMBLY		1	
	TS04451010002	CAB ACCESSORY		1	
	TS04451044000	RIGHT DOOR ASSEMBLY		1	
	TS04451044100	RIGHT DOOR		1	
1	GBT5783-M6X35-8.8	HEXAGON BOLT		3	
2	GBT93-8-A0P	STANDARD SPRING WASHER		3	
3	GBT97.1-8-A0P	FLAT WASHER		9	
4	TS04451044221	RIGHT DOOR HING UPTER		1	
5	TS04451044111	RIGHT DOOR HINGE OUT RUBBER WASHER UPTER		1	
6	TS04451044222	RIGHT DOOR HING LOWER		1	
7	TS04451044112	RIGHT DOOR HINGE OUT RUBBER WASHER LOWER		1	
8	TS04451044101	RIGHT DOOR GLASS		1	
9	TS04451043110	DOOR HINGE IN RUBBER WASHER		4	
10	TS04451014103	RIGHT DOOR RAIL WELDMENT		1	
11	GBT5783-M8X25-8.8-A2L	HEXAGON BOLT		4	
12	GBT93-6-O	STANDARD SPRING WASHER		1	
13	TS04451013106	CAST BOLT		1	
14	TD904.451C.2-10	GLASS OUT WASHER		1	
15	TS04451013121	DOOR GLASS RUBBER WASHER		1	
16	GBT6170-M8-8-A2L	HEXAGON NUT, TYPE-1		3	
17	TS06451014116	RIGHT DOOR INSTALLA- TION BRACKET		1	
18	GBT818-M8X30-4.8-A2L	CROSS SCREW		3	
19	TS06451014230	RIGHT DOOR LOCK BONNET		1	
20	GBT97.1-6-A0P	FLAT WASHER		8	
21	GBT93-6-A0P	STANDARD SPRING WASHER		6	
22	GBT819.1-M6X16-4.8-A2L	CROSS SCREW		2	
23	TS04451013001	PAD BOARD		1	
24	GBT96.1-6-O	BIG WASHER		1	
25	GBT6170-M6-8-A2L	HEXAGON NUT, TYPE-1		2	

TS04451040000K DRIVER' S CAB ASSEMBLY-7 (cont' d.)

No.	Part No.	Description	Ver- sion	QTY.	Remark
26	TS06451014210	RIGHT DOOR LOCK		1	
27	GBT5287-8-A0P	BIG WASHER		1	
28	GBT818-M6X30-4.8-A2L	CROSS SCREW		2	
29	TS04451013102	DOOR SEAL STRIP		1	
30	GBT956.1-6	TAPER LOCK WASHER		2	
31	GBT818-M6X16-4.8-A2L	CROSS SCREW		2	

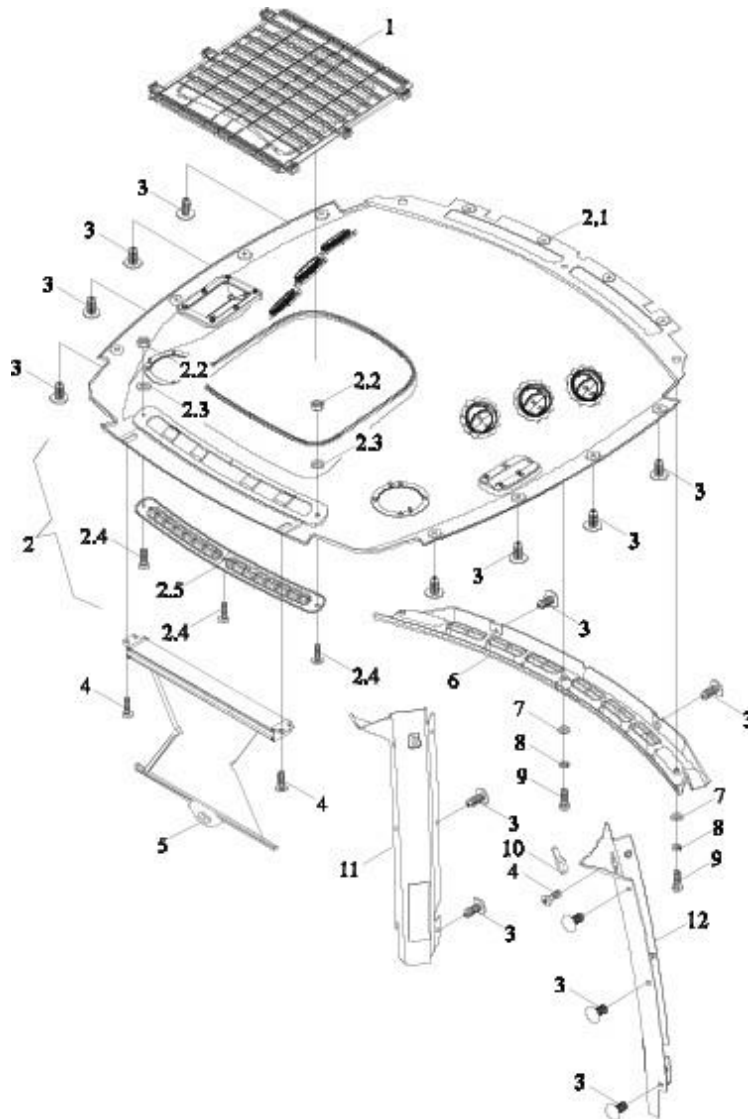
TS04451040000K DRIVER' S CAB ASSEMBLY-8



TS04451040000K DRIVER' S CAB ASSEMBLY-8

No.	Part No.	Description	Ver- sion	QTY.	Remark
1	TS04451040000K	DRIVER'S CAB ASSEMBLY		1	
	TS04451030001K	EC NAMEPLATE CAB		1	

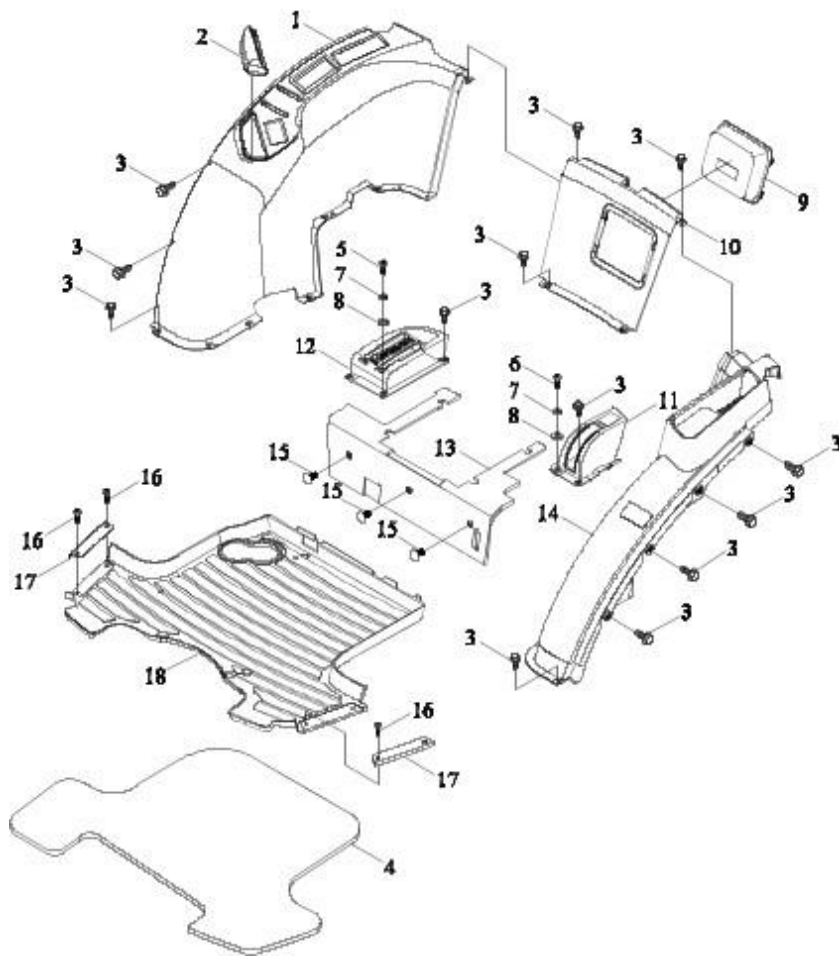
TS04453030000K UPHOLSTERY ASSEMBLY-1



TS04453030000K UPHOLSTERY ASSEMBLY-1

No.	Part No.	Description	Version	QTY.	Remark
	TS04453030000K	UPHOLSTERY ASSEMBLY		1	
1	TS04453017000	SUNSHADE BOARD ASSEMBLY		1	
2	TS04453011000	TOP UPHOLSTERY		1	
2.1	TS04453011001	TOP UPHOLSTERY		1	
2.2	GBT6170-M6-8-O	HEXAGON NUT, TYPE-1		2	
2.3	GBT97.1-6-O	FLAT WASHER		2	
2.4	GBT818-M6X16-4.8-O	CROSS SCREW		3	
2.5	TS04453011002	DEFROST WIND MOUTH		1	
3	Q69208	PLASTIC SPLIT PIN		29	
4	GBT818-M5X25-4.8-A2L	CROSS SCREW		4	
5	TF1004.451.5-01	SHADOW CURTAIN		1	
6	TS04453016000	WIND MOUTH		1	
7	GBT96.1-6-A3L	BIG WASHER		3	
8	GBT93-6-A3L	STANDARD SPRING WASHER		3	
9	GBT818-M6X20-4.8-A2L	CROSS SCREW		3	
10	TS06453010002	CLOTHCAPHOOK		2	
11	TS04453013400	LEFT HOUSING		1	
12	TS04453013500	RIGHT HOUSING		1	

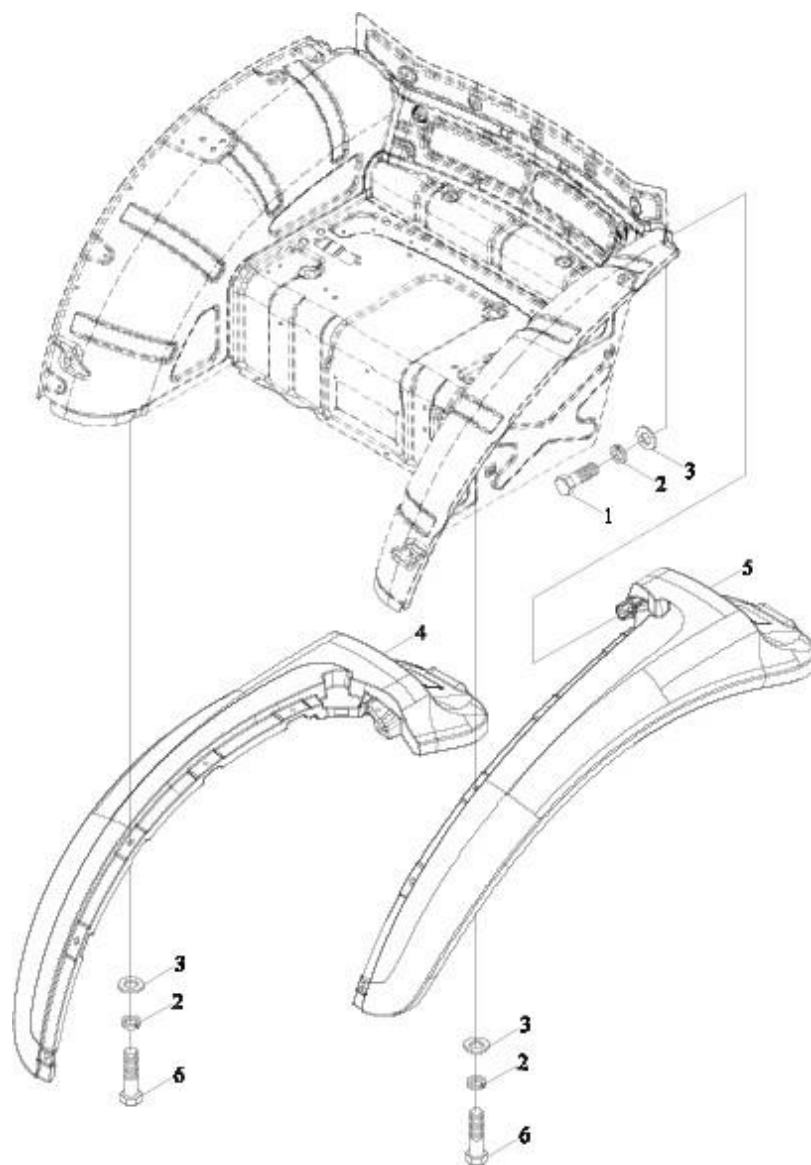
TS0445303000K UPHOLSTERY ASSEMBLY-2



TS04453030000K UPHOLSTERY ASSEMBLY-2

No.	Part No.	Description	Version	QTY.	Remark
	TS04453030000K	UPHOLSTERY ASSEMBLY		1	
1	TS04453013100	LEFT REAR MUD GUARD DECORATION PART		1	
2	TS04453013600	WATCH BONNET		1	
3	GBT16674.1-M6X20-8.8-A2L	HEXAGON FLANGE NUT		28	
4	TS04453012200	FLOOR MAT PEDAL		1	
5	GBT818-M6X25-4.8-A2L	CROSS SCREW		5	
6	GBT818-M6X35-4.8-A2L	CROSS SCREW		1	
7	GBT93-6-A3L	STANDARD SPRING WASHER		2	
8	GBT96.1-6-A3L	BIG WASHER		2	
9	TS04453013900	COVER		1	
10	TS04453013300	INTO UPHOLSTERY		1	
11	TS04453013700	PARKING BRAKE BONNET		1	
12	TS04453013800	AUXILIARY CLUTCH BONNET		1	
13	TS04453012100	MIDDLE FLOOR MAT		1	
14	TS04453013200	RIGHT REAR MUD GUARD DECORATION PART		1	
15	Q69208	PLASTIC SPLIT PIN		3	
16	GBT819.2-M6X25-8.8-A2L	CROSS SCREW		4	
17	TS06453014000	FLOOR MAT PRESSURE PLATE		2	
18	TS04453012000	FLOOR CUSHION		1	

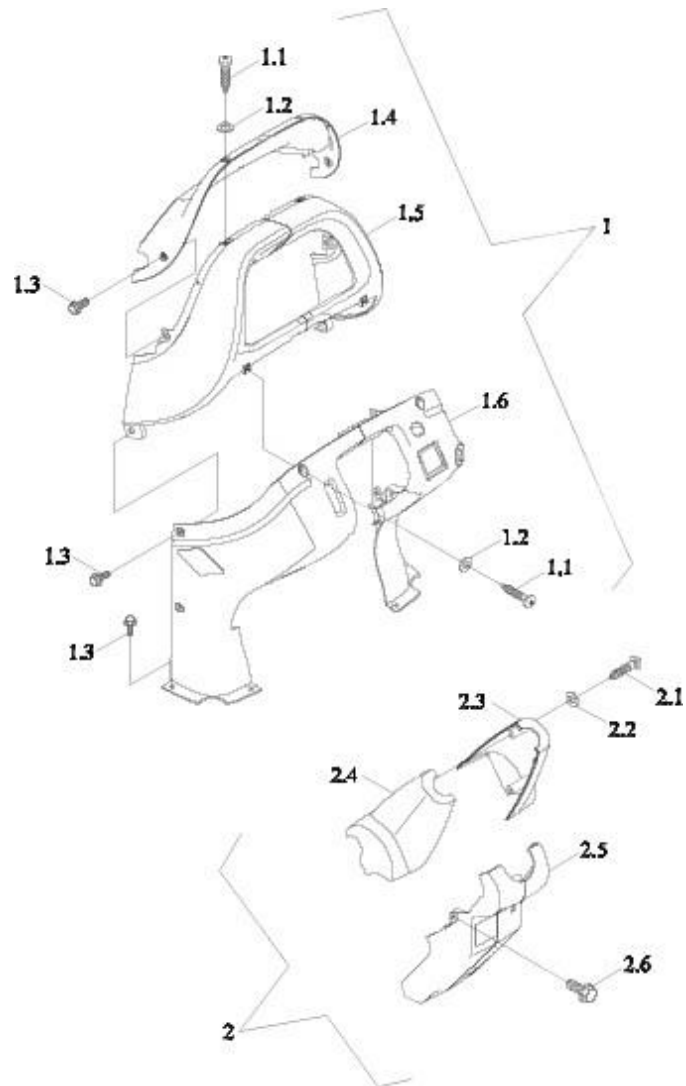
TS04455010000 BACK REAR MUD GUARD DECORATION PART



TS04455010000 BACK REAR MUD GUARD DECORATION PART

No.	Part No.	Description	Version	QTY.	Remark
	TS04455010000	BACK REAR MUD GUARD DECORATION PART		1	
1	GBT5783-M6X16-8.8-A2L	HEXAGON BOLT		2	
2	GBT93-6-O	STANDARD SPRING WASHER		14	
3	GBT96.1-6	BIG WASHER		14	
4	TS04455012000	RIGHT REAR MUD GUARD DECORATION PART		1	
5	TS04455011000	LEFT REAR MUD GUARD DECORATION PART		1	
6	GBT5783-M6X35-8.8-A2L	HEXAGON BOLT		12	

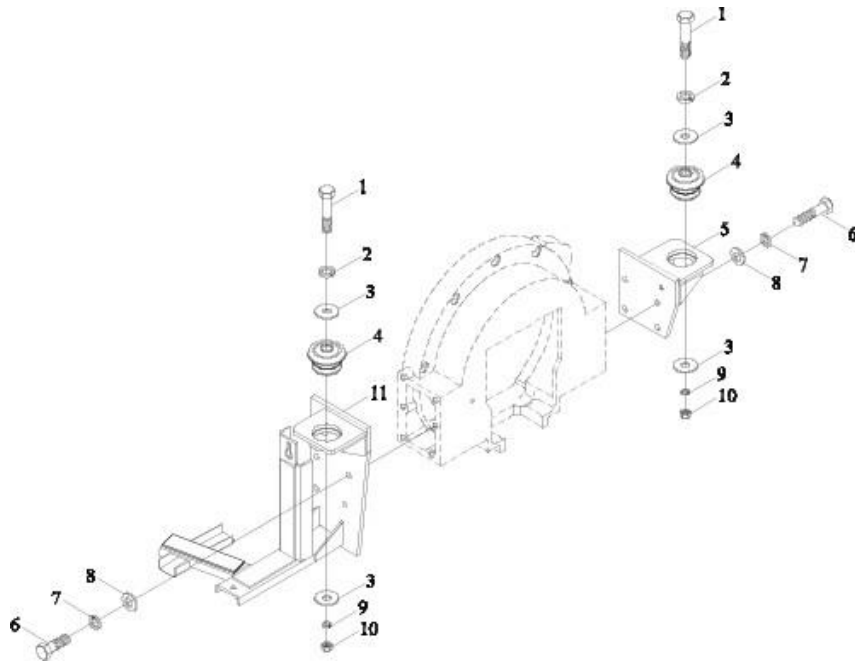
TB1S456010000K DASHBOARD ASSEMBLY



TB1S456010000K DASHBOARD ASSEMBLY

No.	Part No.	Description	Version	QTY.	Remark
	TB1S456010000K	DASHBOARD ASSEMBLY		1	
1	TS04456010001	DASHBOARD BOX		1	
1.1	GBT845-ST4.8X16-O	SCREW		4	
1.2	GBT97.1-6-O	FLAT WASHER		4	
1.3	GBT16674.1-M6X20-8.8-O	HEXAGON FLANGE NUT		8	
1.4	TS04456010002	UPPER COVER		1	
1.5	TS04456010003	DASHBOARD MIDDLE COVER		1	
1.6	TS04456010004	LOWER COVER		1	
2	TS04456010005	STEERING GEAR HOUSING		1	
2.1	GBT845-ST4.8X16-O	SCREW		2	
2.2	GBT97.1-6-O	FLAT WASHER		2	
2.3	TS06456010008	STEERING GEAR RIGHT COVER PLATE		1	
2.4	TS06456010007	STEERING GEAR LEFT COVER PLATE		1	
2.5	TS04456010006	STEERING GEAR LOW COVER PLATE		1	
2.6	GBT16674.1-M6X20-8.8-O	HEXAGON FLANGE NUT		4	

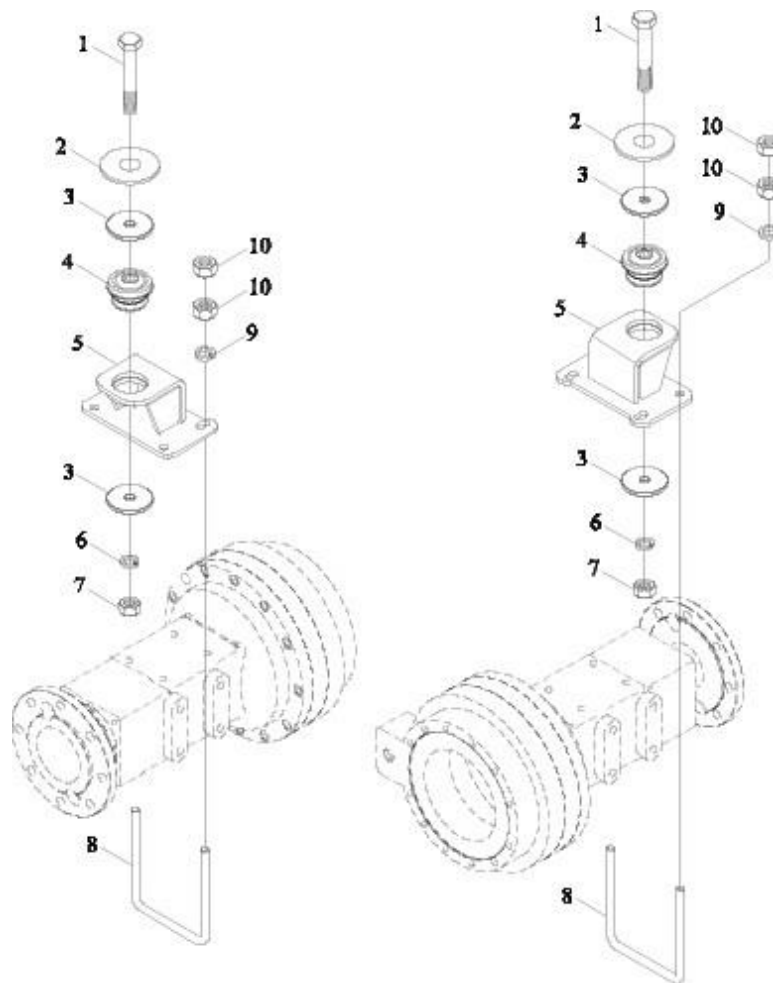
TS04457010000 FRONT CONNECTING ASSEMBLY



TS04457010000 FRONT CONNECTING ASSEMBLY

No.	Part No.	Description	Version	QTY.	Remark
	TS04457010000	FRONTCONNECTINGASSEMBLY		1	
1	GBT5783-M16X80-10.9-A3L	HEXAGON BOLT		2	
2	GBT96.1-16-A0P	BIG WASHER		2	
3	TB400.457B-02	RETAINER RING		4	
4	TB400.457B-01	SHOCK ABSORBER		2	
5	TS04457010004	RIGHT FRONT CONNECTION WELDMENT		1	
6	GBT5783-M12X35-10.9-A3L	HEXAGON BOLT		10	
7	GBT93-12-A0P	STANDARD SPRING WASHER		10	
8	GBT97.1-12-A0P	FLAT WASHER		10	
9	GBT93-16-A0P	STANDARD SPRING WASHER		2	
10	GBT6170-M16-10-A3L	HEXAGON NUT, TYPE-1		2	
11	TS04457010001	LEFT FRONT CONNECTION WELDMENT		1	

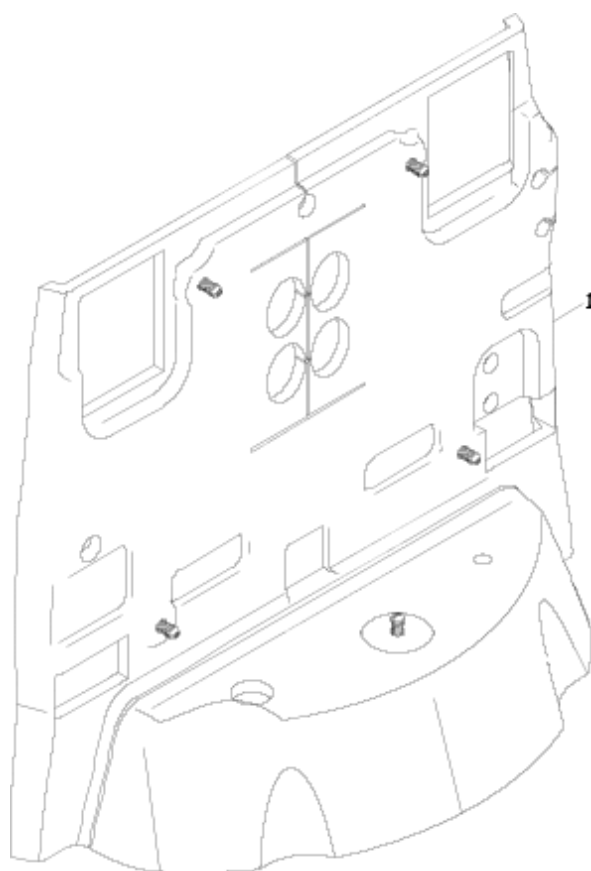
TS04458010000 REAR CONNECTING ASSEMBLY



TS04458010000 REAR CONNECTING ASSEMBLY

No.	Part No.	Description	Version	QTY.	Remark
	TS04458010000	REARCONNECTINGASSEMBLY		1	
1	GBT5783-M16X90-10.9-A2L	HEXAGON BOLT		2	
2	GBT96.1-16-A0P	BIG WASHER		2	
3	TB400.457B-02	RETAINER RING		4	
4	TB400.457B-01	SHOCK ABSORBER		2	
5	TS04458010001	REAR CONNECTING WELDMENT		2	
6	GBT93-16-A0P	STANDARD SPRING WASHER		2	
7	GBT6170-M16-10-A3L	HEXAGON NUT, TYPE-1		2	
8	FT400.46.350	U-BOLT		4	
9	GBT97.1-14-A0P	FLAT WASHER		8	
10	GBT6170-M14-8-A3L	HEXAGON NUT, TYPE-1		16	

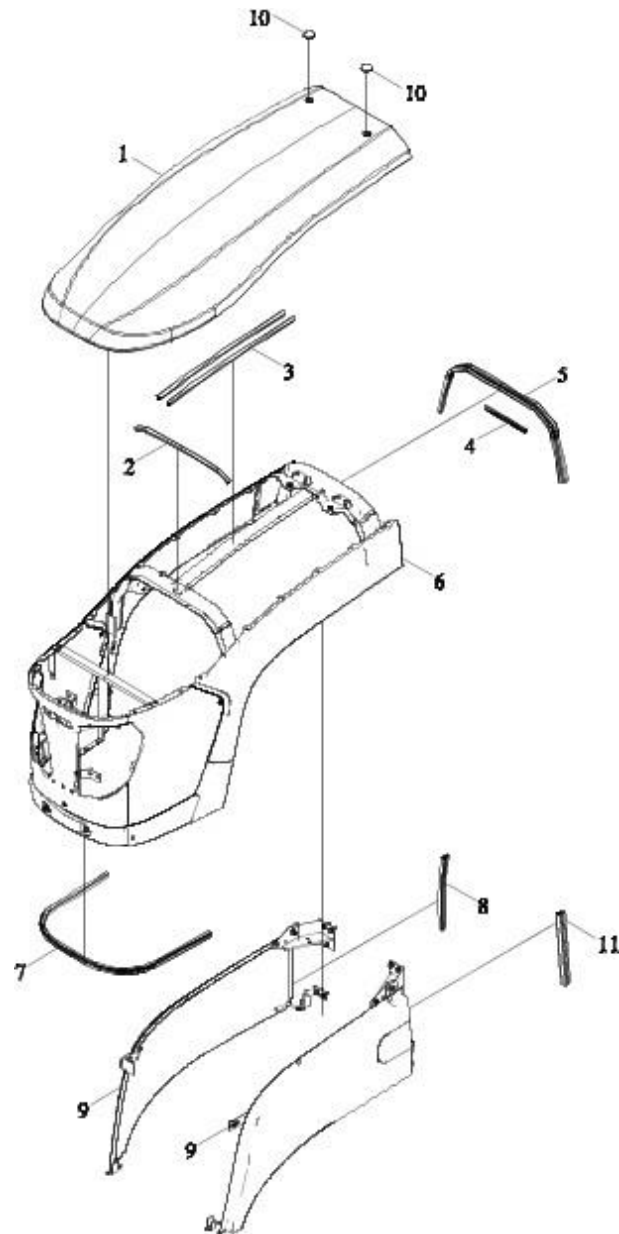
TS04459010000 INSULATION LAYER



TS04459010000 INSULATION LAYER

No.	Part No.	Description	Version	QTY.	Remark
1	TS04459010000	INSULATION LAYER		1	
	TS04459010001	INSULATIONLAYER		1	

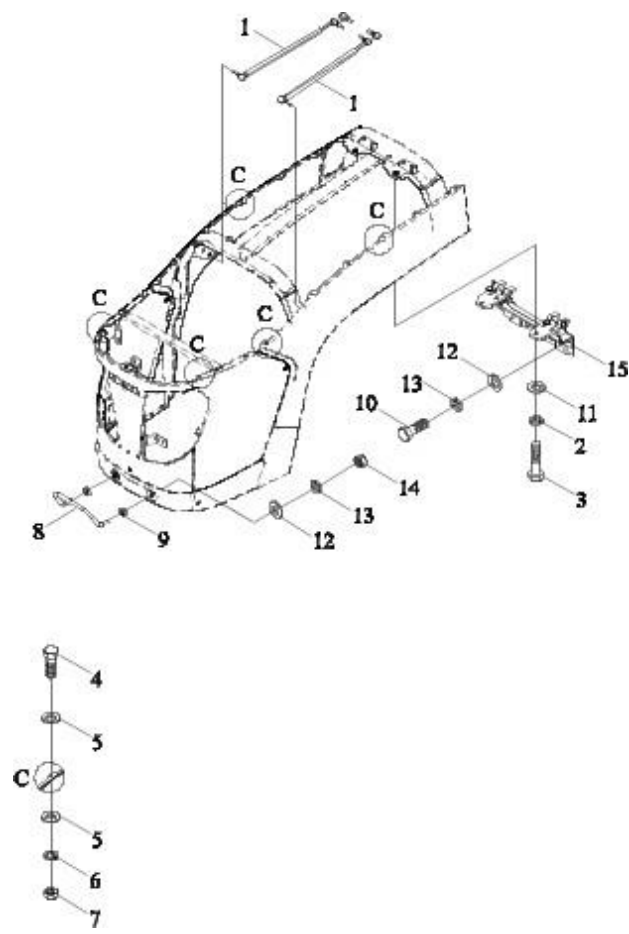
TS04471030000K BONNET ASSEMBLY-1



TS04471030000K BONNET ASSEMBLY-1

No.	Part No.	Description	Version	QTY.	Remark
	TS04471030000K	BONNET ASSEMBLY		1	
1	TS04471012001	BONNET UP COVER PLATE		1	
2	TS04471010007	FRONT SHOCK WASHER		1	
3	TS04471010004	MIDDLE SHOCK WASHER		2	
4	TS04471010008	BACK SHOCK RUBBER STRIP		1	
5	TS04471010001	BONNET REAR SEAL STRIP		1	
6	TS04471011000	BONNET WELDMENT ASSEMBLY		1	
7	TS04471010002	FRONT LOWER CUSHION RUBBER PIECE		1	
8	TS04471010009	SEAL STRIP		1	
9	TS04471030001K	LOWER SIDE PLATE		1	
10	TS06471010005	RUUBERPLUG		2	
11	TS04471010006K	LEFT BACK SEAL STRIP		1	

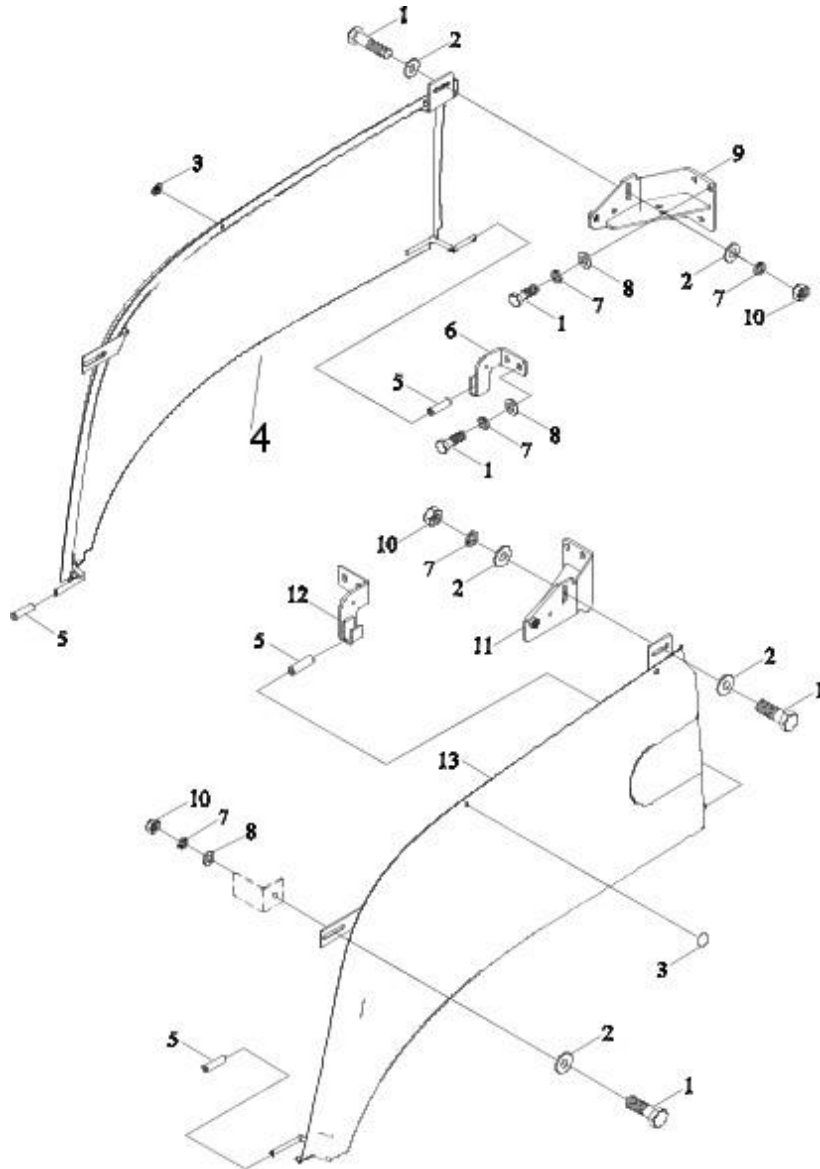
TS04471030000K BONNET ASSEMBLY-2



TS04471030000K BONNET ASSEMBLY-2

No.	Part No.	Description	Version	QTY.	Remark
	TS04471030000K	BONNET ASSEMBLY		1	
1	TS04471019000	BONNET PNEUMATIC SPRING ASSEMBLY		2	
2	GBT93-10-A3L	STANDARD SPRING WASHER		6	
3	GBT5783-M10X35-8.8-A3L	HEXAGON BOLT		6	
4	GBT5783-M6X16-8.8-A2L	HEXAGON BOLT		18	
5	GBT97.1-6-A3L	FLAT WASHER		36	
6	GBT93-6-A3L	STANDARD SPRING WASHER		18	
7	GBT6170-M6-8-A2L	HEXAGON NUT, TYPE-1		18	
8	TS04471010003	HANDLE		1	
9	TD800.471A-05	WASHER		2	
10	GBT5783-M12X35-8.8-A3L	HEXAGON BOLT		3	
11	GBT96.1-12-A3L	BIG WASHER		3	
12	GBT97.1-12-A3L	FLAT WASHER		2	
13	GBT93-12-A3L	STANDARD SPRING WASHER		5	
14	GBT6170-M12-8-A3L	HEXAGON NUT, TYPE-1		2	
15	TS04471013000	BONNET HINGE ASSEMBLY		1	

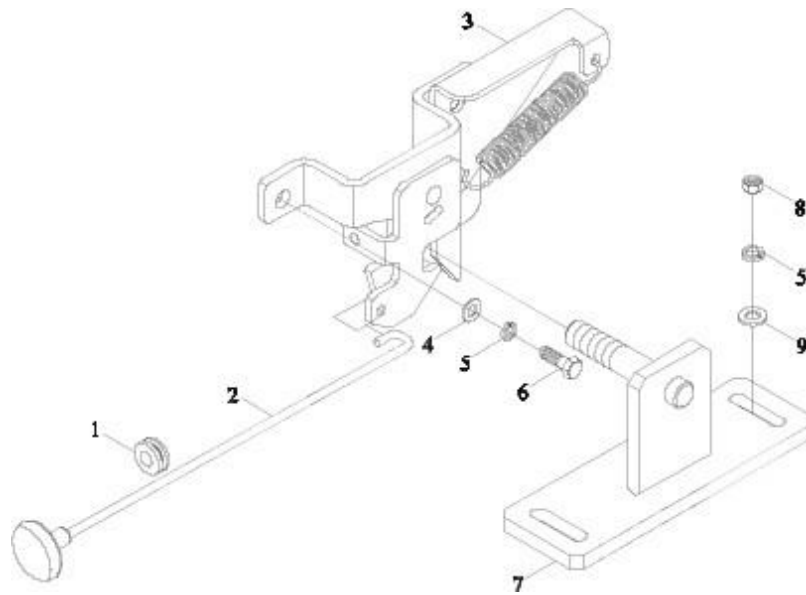
TS04471030000K BONNET ASSEMBLY-3



TS04471030000K BONNET ASSEMBLY-3

No.	Part No.	Description	Version	QTY.	Remark
	TS04471030000K	BONNET ASSEMBLY		1	
	TS04471030001K	LOWER SIDE PLATE		1	
1	GBT5783-M8X25-8.8-A2L	HEXAGON BOLT		14	
2	GBT96.1-8-A3L	BIG WASHER		6	
3	TS06471014003	PROCESS PLUG COVER		4	
4	TS04471014200	SIDE PLATE RIGHT LOWER		1	
5	TS06471014002	GUM COVER		4	
6	TS04471014004	FIXING SEAT WELDMENT RIGHT BACK LOWER		1	
7	GBT97.1-8-A3L	FLAT WASHER		12	
8	GBT93-8-A3L	STANDARD SPRING WASHER		14	
9	TS04471014003	FIXING SEAT WELDMENT RIGHT BACK UP		1	
10	GBT6170-M8-8-A2L	HEXAGON NUT, TYPE-1		4	
11	TS04471014001	FIXING SEAT WELDMENT LEFT BACK UP		1	
12	TS04471014002	FIXING SEAT WELDMENT LEFT BACK LOWER		1	
13	TS04471030002K	SIDE PLATE LEFT LOWER		1	

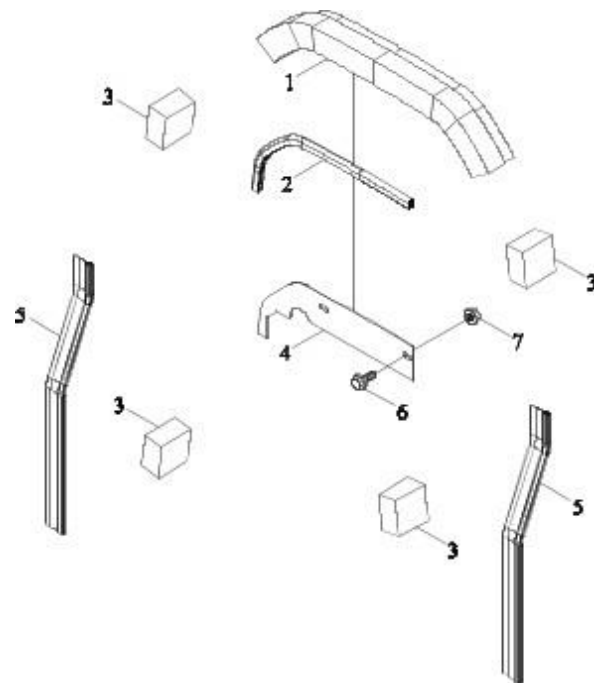
TS04473010000 BONNET LOCKING DEVICE ASSEMBLY



TS04473010000 BONNET LOCKING DEVICE ASSEMBLY

No.	Part No.	Description	Ver- sion	QTY.	Remark
	TS04473010000	BONNET LOCKING DEVICE ASSEMBLY		1	
1	TB450.473-02	RUBBER RING		1	
2	TS04473010006	PULL ROD		1	
3	TS06473010002	BONNET LOCK		1	
4	GBT97.1-8-A0P	FLAT WASHER		3	
5	GBT93-8-A0P	STANDARD SPRING WASHER		5	
6	GBT5783-M8X25-8.8-A2L	HEXAGON BOLT		3	
7	TS04473010001	BONNET LOCK COLUMN WELDMENT		1	
8	GBT6170-M8-8-A2L	HEXAGON NUT, TYPE-1		2	
9	GBT96.1-8-A0P	BIG WASHER		2	

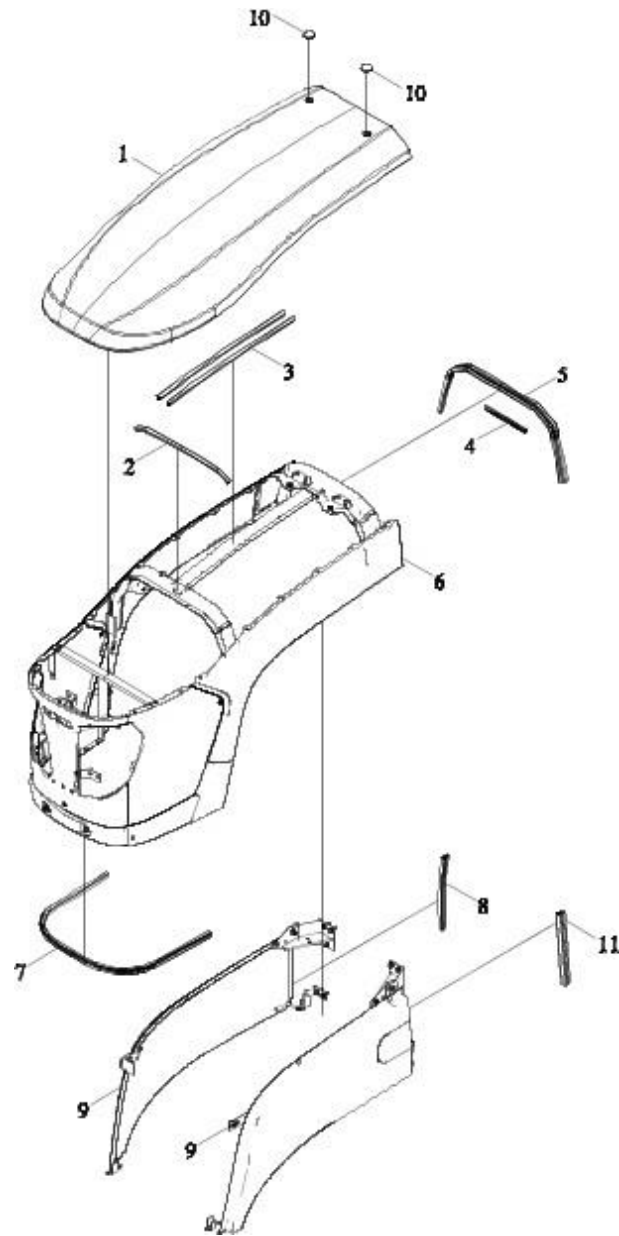
TS04475080000K BONNET SEAL INSTALLATION ASSEMBLY



TS04475080000K BONNET SEAL INSTALLATION ASSEMBLY

No.	Part No.	Description	Version	QTY.	Remark
	TS04475080000K	BONNET SEAL INSTALLATION ASSEMBLY		1	
1	TS04475010002	UP SEAL COTTON		1	
2	TS04475080002K	SEAL STRIP		1	
3	TS04475010001	SEAL COTTON		2	
4	TS04475080001K	SEAL SPACER PLATE		1	
5	TS04475010005	SEAL STRIP		2	
6	GBT16674.1-M8X20-8.8-A2L	HEXAGON FLANGE NUT		2	
7	GBT6177.1-M8-8-A2L	HEXAGON FLANGE NUT		2	

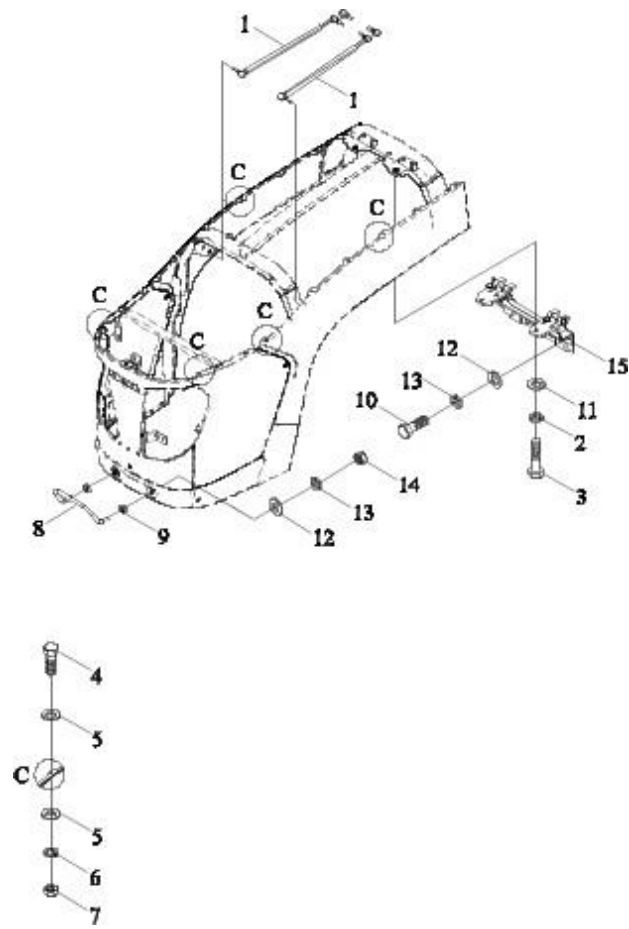
TS04471030000K BONNET ASSEMBLY-1



TS0447103000K BONNET ASSEMBLY-1

No.	Part No.	Description	Version	QTY.	Remark
	TS0447103000K	BONNET ASSEMBLY		1	
1	TS04471012001	BONNET UP COVER PLATE		1	
2	TS04471010007	FRONT SHOCK WASHER		1	
3	TS04471010004	MIDDLE SHOCK WASHER		2	
4	TS04471010008	BACK SHOCK RUBBER STRIP		1	
5	TS04471010001	BONNET REAR SEAL STRIP		1	
6	TS04471011000	BONNET WELDMENT ASSEMBLY		1	
7	TS04471010002	FRONT LOWER CUSHION RUBBER PIECE		1	
8	TS04471010009	SEAL STRIP		1	
9	TS04471030001K	LOWER SIDE PLATE		1	
10	TS06471010005	RUUBERPLUG		2	
11	TS04471010006K	LEFT BACK SEAL STRIP		1	

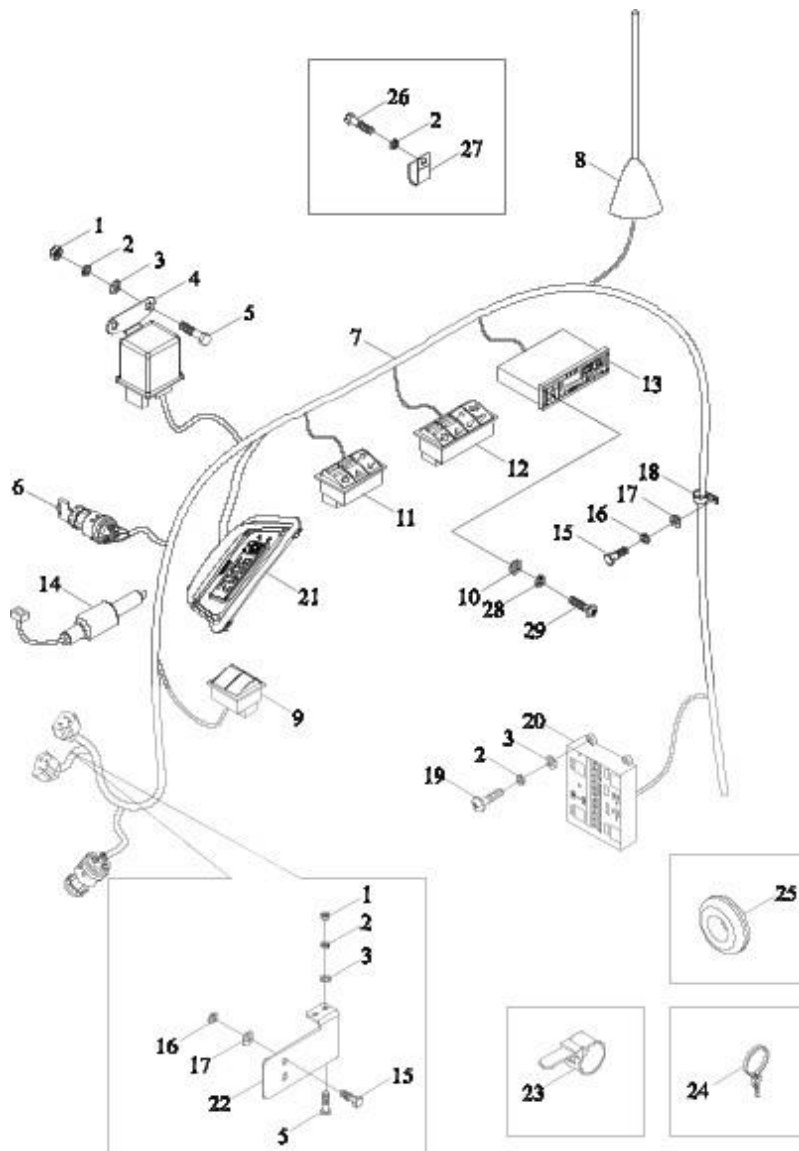
TS04471030000K BONNET ASSEMBLY-2



TS04471030000K BONNET ASSEMBLY-2

No.	Part No.	Description	Version	QTY.	Remark
	TS04471030000K	BONNET ASSEMBLY		1	
1	TS04471019000	BONNET PNEUMATIC SPRING ASSEMBLY		2	
2	GBT93-10-A3L	STANDARD SPRING WASHER		6	
3	GBT5783-M10X35-8.8-A3L	HEXAGON BOLT		6	
4	GBT5783-M6X16-8.8-A2L	HEXAGON BOLT		18	
5	GBT97.1-6-A3L	FLAT WASHER		36	
6	GBT93-6-A3L	STANDARD SPRING WASHER		18	
7	GBT6170-M6-8-A2L	HEXAGON NUT, TYPE-1		18	
8	TS04471010003	HANDLE		1	
9	TD800.471A-05	WASHER		2	
10	GBT5783-M12X35-8.8-A3L	HEXAGON BOLT		3	
11	GBT96.1-12-A3L	BIG WASHER		3	
12	GBT97.1-12-A3L	FLAT WASHER		2	
13	GBT93-12-A3L	STANDARD SPRING WASHER		5	
14	GBT6170-M12-8-A3L	HEXAGON NUT, TYPE-1		2	
15	TS04471013000	BONNET HINGE ASSEMBLY		1	

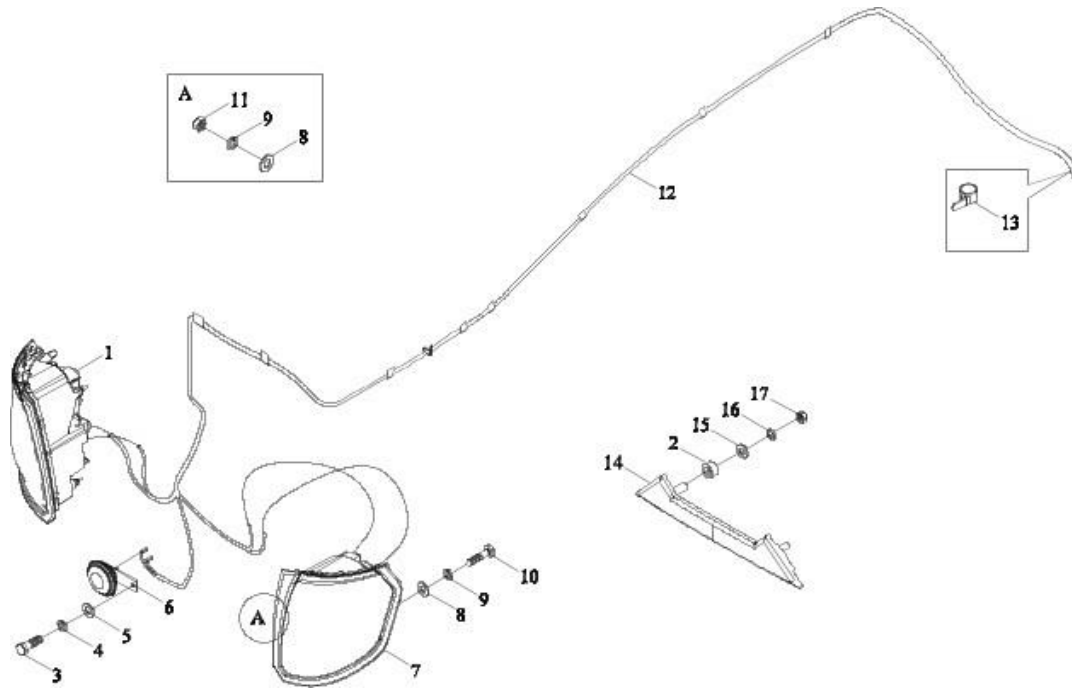
TS04482050000K BODY HARNESS INSTALLATION ASSEMBLY



TS04482050000K BODY HARNESS INSTALLATION ASSEMBLY

No.	Part No.	Description	Version	QTY.	Remark
	TS04482050000K	BODY HARNESS INSTALLATION ASSEMBLY		1	
1	GBT6170-M6-8-A2L	HEXAGON NUT, TYPE-1		4	
2	GBT93-6-A0P	STANDARD SPRING WASHER		10	
3	GBT97.1-6-A0P	FLAT WASHER		8	
4	FT300.48.055	STARTING RELAY		1	
5	GBT5783-M6X20-8.8-A2L	HEXAGON BOLT		4	
6	TB550.482.3	IGNITION LOCK		1	
7	TS04482050001K	BODY HARNESS ASSEMBLY		1	
8	TS04482010002	ANTENNA WIRE		1	
9	TS04482010006	TWO GANG PADDLE SWITCH		1	
10	GBT97.1-3-A0P	FLAT WASHER		4	
11	TS04482010003	3-GANG PADDLE SWITCH		1	
12	TS04482050003K	FIVE ROCKER SWITCH		1	
13	TS04482010010	MP3 PLAYER		1	
14	TB550.484.2	BRAKE LIGHT SWITCH		2	
15	GBT5783-M8X25-8.8-A2L	HEXAGON BOLT		4	
16	GBT93-8-A0P	STANDARD SPRING WASHER		4	
17	GBT97.1-8-A0P	FLAT WASHER		4	
18	TS06482010005	HARNESS TIGHTEN CLIP		3	
19	GBT818-M6X20-4.8-A2L	CROSS SCREW		4	
20	TS04482050002K	CENTRAL ELECTRICAL BOX ASSEMBLY		1	
21	TS04482010004	WATCH		1	
22	TS04482010009	FIXED PLATE		1	
23	3203505D9-L	TIE		17	
24	Q67405200	PLASTIC FASTENING STRIP		4	
25	TS04482010008	RUBBER RING		1	
26	GBT5783-M6X12-8.8-A2L	HEXAGON BOLT		2	
27	FT65.48.095	HARNESS FIXING CLAMP		2	
28	GBT93-3-A0P	STANDARD SPRING WASHER		4	
29	GBT818-M3X10-4.8-A2L	CROSS SCREW		4	

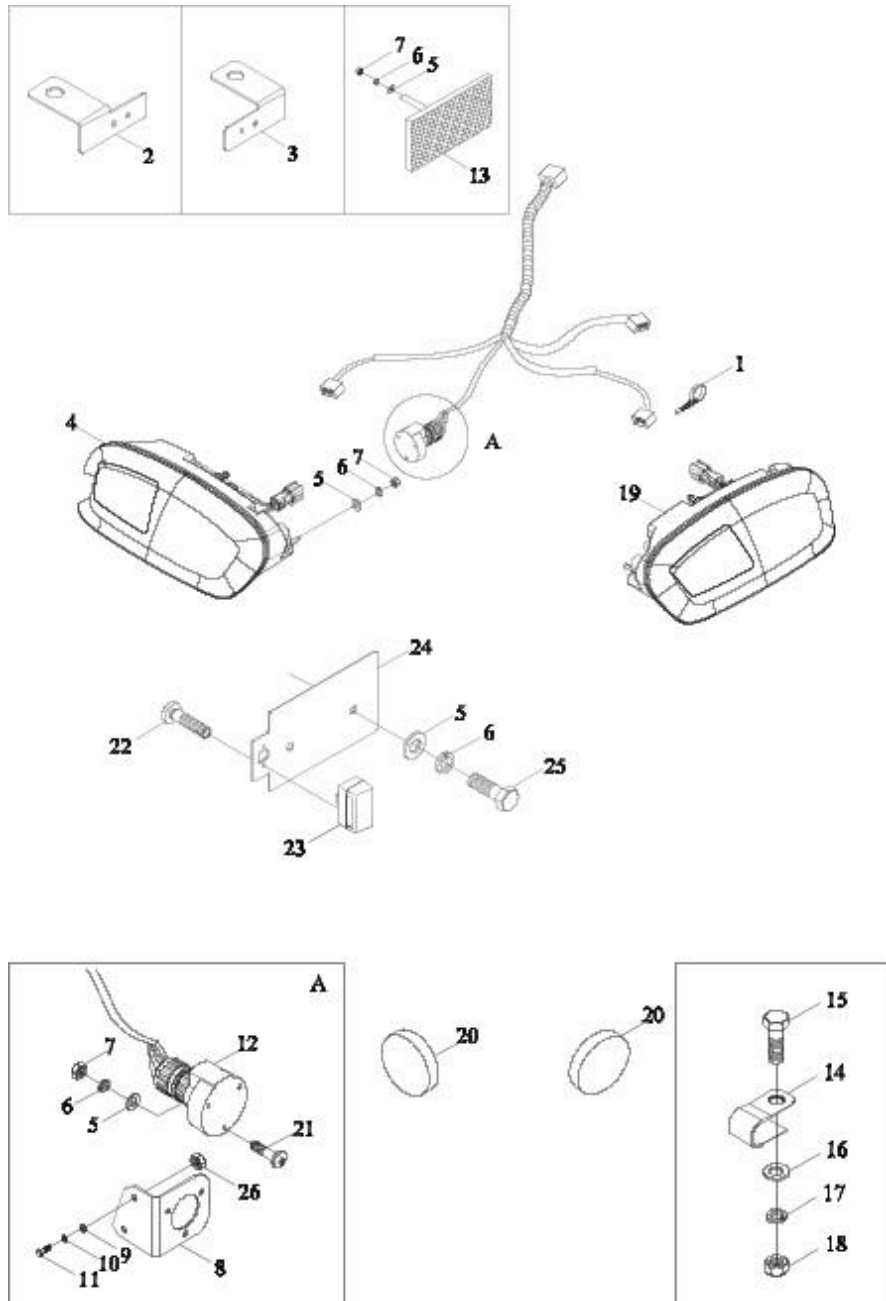
TS04483020000K FRONT LAMP HARNESS INSTALLATION ASSEMBLY



TS04483020000K FRONT LAMP HARNESS INSTALLATION ASSEMBLY

No.	Part No.	Description	Version	QTY.	Remark
	TS04483020000K	FRONT LAMP HARNESS INSTALLATION ASSEMBLY		1	
1	TS04483010004	RIGHT FRONT BIG LAMP ASSEMBLY		1	
2	TS04483010007	WASHER		2	
3	GBT5783-M8X25-8.8-A2L	HEXAGON BOLT		1	
4	GBT93-8-A0P	STANDARD SPRING WASHER		1	
5	GBT97.1-8-A0P	FLAT WASHER		1	
6	TD800.483B.3	ELECTRIC HORN		1	
7	TS04483010003	LEFT FRONT BIG LAMP ASSEMBLY		1	
8	GBT97.1-6-A0P	FLAT WASHER		8	
9	GBT93-6-A0P	STANDARD SPRING WASHER		8	
10	GBT818-M6X20-4.8-A2L	CROSS SCREW		4	
11	GBT6170-M6-8-A2L	HEXAGON NUT, TYPE-1		4	
12	TS04483010001	FRONT LAMP HARNESS ASSEMBLY		1	
13	FT65.48.095	HARNESS FIXING CLAMP		7	
14	TS04483010005	ADORNING STRIP		1	
15	GBT97.1-5-A0P	FLAT WASHER		2	
16	GBT93-5-A0P	STANDARD SPRING WASHER		2	
17	GBT6170-M5-8-A2L	HEXAGON NUT, TYPE-1		2	

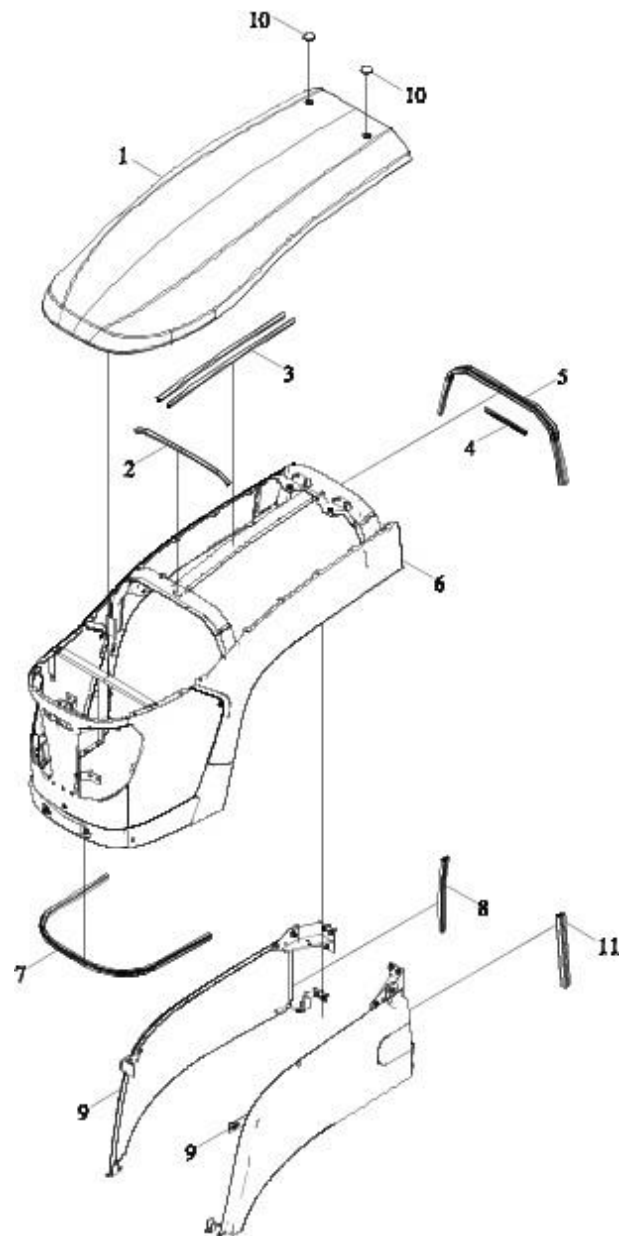
TS04484050000K REAR LAMP HARNESS INSTALLATION ASSEMBLY



TS04484050000K REAR LAMP HARNESS INSTALLATION ASSEMBLY

No.	Part No.	Description	Version	QTY.	Remark
	TS04484050000K	REAR LAMP HARNESS INSTALLATION ASSEMBLY		1	
1	Q67405100	PLASTIC FASTENING STRIP		1	
2	TD800.484B-01	REFLECTOR INSTALLATION PLATE		1	
3	TD800.484B-02	REFLECTOR INSTALLATION PLATE		1	
4	TS06484010001	LEFT TAIL LAMP ASSEMBLY		1	
5	GBT97.1-5-A0P	FLAT WASHER		9	
6	GBT93-5-A0P	STANDARD SPRING WASHER		9	
7	GBT6170-M5-8-A2L	HEXAGON NUT, TYPE-1		7	
8	TS04484010004	TRAILER SOCKET INSTALLATION PLATE		1	
9	GBT97.1-6-A0P	FLAT WASHER		2	
10	GBT93-6-A0P	STANDARD SPRING WASHER		2	
11	GBT5783-M6X45-8.8-A1L	HEXAGON BOLT		2	
12	TD900.484.2	REAR TRAILER SOCKET		1	
13	TD800.484B.5	REFLECTOR ASSEMBLY		2	
14	FT65.48.095	HARNESS FIXING CLAMP		3	
15	GBT5783-M8X20-8.8-A2L	HEXAGON BOLT		2	
16	GBT97.1-8-A0P	FLAT WASHER		2	
17	GBT93-8-A0P	STANDARD SPRING WASHER		2	
18	GBT6170-M8-8-A2L	HEXAGON NUT, TYPE-1		2	
19	TS06484010002	RIGHT TAIL LAMP		1	
20	TS06484010005	REFLECTOR		2	
21	GBT819.1-M5X35-4.8-A1L	CROSS SCREW		3	
22	GBT845-ST3.5X16	SCREW		2	
23	TA700.484A.2.1	LICENSELAMP		1	
24	TB500.484A.1	INSTALLATION PLATE		1	
25	GBT818-M5X12-4.8-A2L	CROSS SCREW		2	
26	GBT6170-M6-8-A2L	HEXAGON NUT, TYPE-1		2	

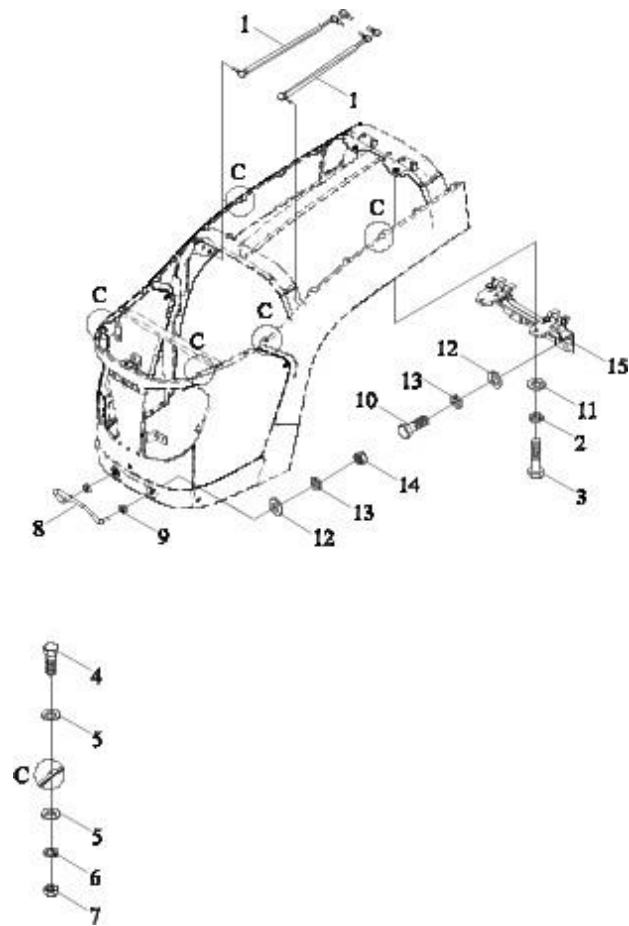
TS04471030000K BONNET ASSEMBLY-1



TS04471030000K BONNET ASSEMBLY-1

No.	Part No.	Description	Version	QTY.	Remark
	TS04471030000K	BONNET ASSEMBLY		1	
1	TS04471012001	BONNET UP COVER PLATE		1	
2	TS04471010007	FRONT SHOCK WASHER		1	
3	TS04471010004	MIDDLE SHOCK WASHER		2	
4	TS04471010008	BACK SHOCK RUBBER STRIP		1	
5	TS04471010001	BONNET REAR SEAL STRIP		1	
6	TS04471011000	BONNET WELDMENT ASSEMBLY		1	
7	TS04471010002	FRONT LOWER CUSHION RUBBER PIECE		1	
8	TS04471010009	SEAL STRIP		1	
9	TS04471030001K	LOWER SIDE PLATE		1	
10	TS06471010005	RUUBERPLUG		2	
11	TS04471010006K	LEFT BACK SEAL STRIP		1	

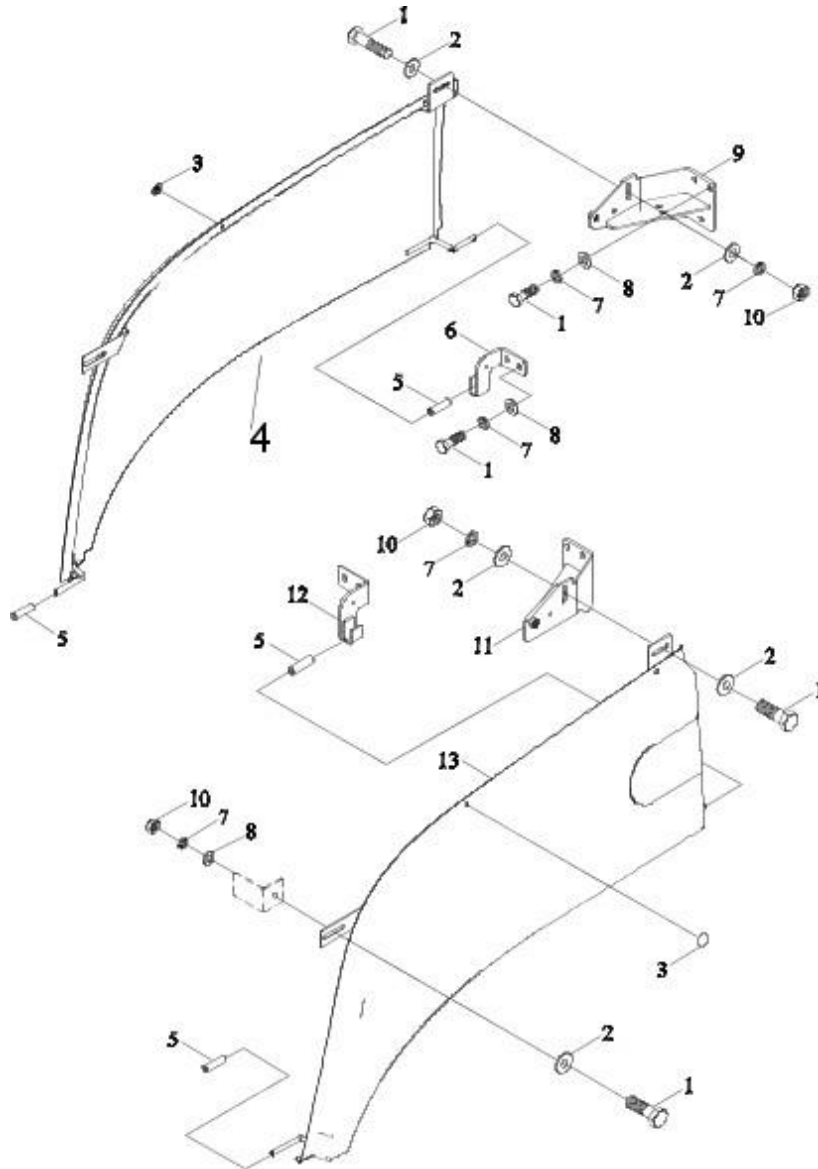
TS04471030000K BONNET ASSEMBLY-2



TS04471030000K BONNET ASSEMBLY-2

No.	Part No.	Description	Version	QTY.	Remark
	TS04471030000K	BONNET ASSEMBLY		1	
1	TS04471019000	BONNET PNEUMATIC SPRING ASSEMBLY		2	
2	GBT93-10-A3L	STANDARD SPRING WASHER		6	
3	GBT5783-M10X35-8.8-A3L	HEXAGON BOLT		6	
4	GBT5783-M6X16-8.8-A2L	HEXAGON BOLT		18	
5	GBT97.1-6-A3L	FLAT WASHER		36	
6	GBT93-6-A3L	STANDARD SPRING WASHER		18	
7	GBT6170-M6-8-A2L	HEXAGON NUT, TYPE-1		18	
8	TS04471010003	HANDLE		1	
9	TD800.471A-05	WASHER		2	
10	GBT5783-M12X35-8.8-A3L	HEXAGON BOLT		3	
11	GBT96.1-12-A3L	BIG WASHER		3	
12	GBT97.1-12-A3L	FLAT WASHER		2	
13	GBT93-12-A3L	STANDARD SPRING WASHER		5	
14	GBT6170-M12-8-A3L	HEXAGON NUT, TYPE-1		2	
15	TS04471013000	BONNET HINGE ASSEMBLY		1	

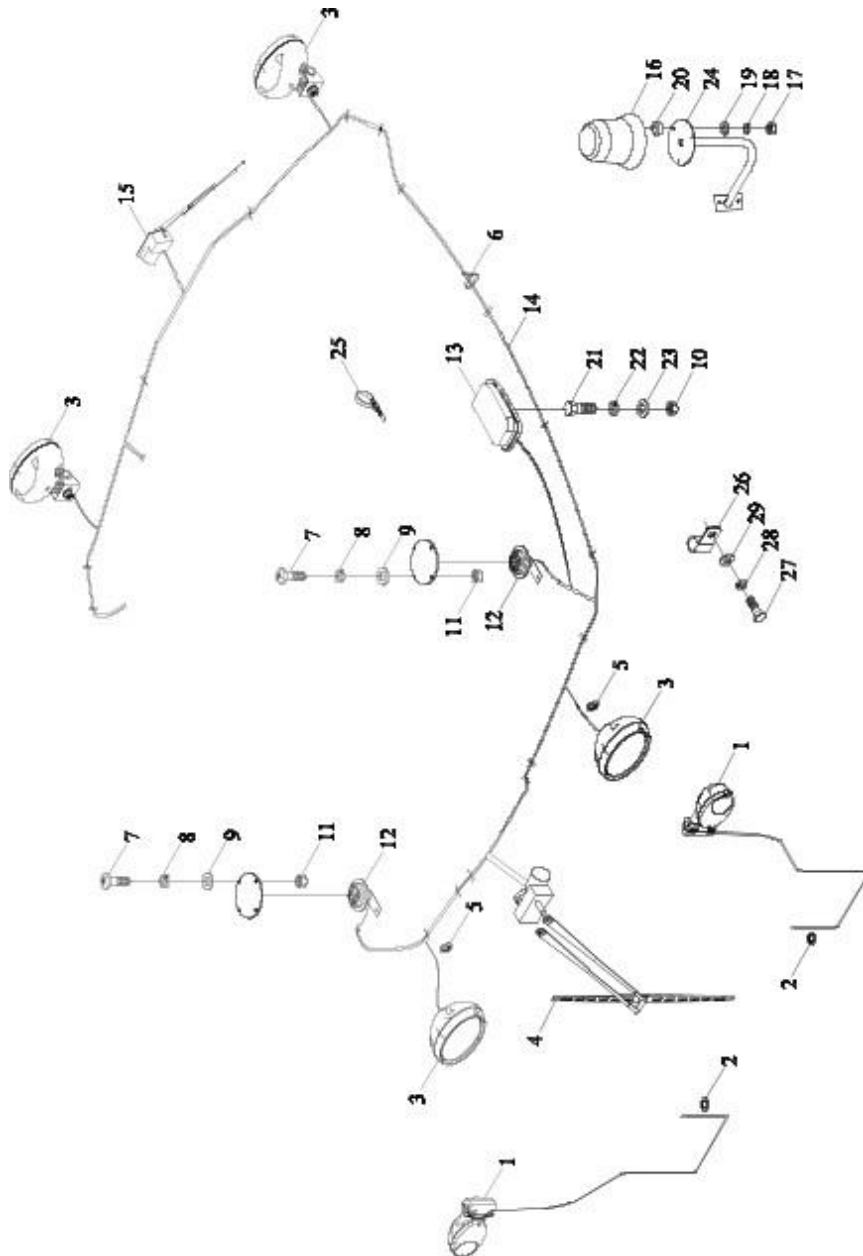
TS04471030000K BONNET ASSEMBLY-3



TS04471030000K BONNET ASSEMBLY-3

No.	Part No.	Description	Version	QTY.	Remark
	TS04471030000K	BONNET ASSEMBLY		1	
	TS04471030001K	LOWER SIDE PLATE		1	
1	GBT5783-M8X25-8.8-A2L	HEXAGON BOLT		14	
2	GBT96.1-8-A3L	BIG WASHER		6	
3	TS06471014003	PROCESS PLUG COVER		4	
4	TS04471014200	SIDE PLATE RIGHT LOWER		1	
5	TS06471014002	GUM COVER		4	
6	TS04471014004	FIXING SEAT WELDMENT RIGHT BACK LOWER		1	
7	GBT97.1-8-A3L	FLAT WASHER		12	
8	GBT93-8-A3L	STANDARD SPRING WASHER		14	
9	TS04471014003	FIXING SEAT WELDMENT RIGHT BACK UP		1	
10	GBT6170-M8-8-A2L	HEXAGON NUT, TYPE-1		4	
11	TS04471014001	FIXING SEAT WELDMENT LEFT BACK UP		1	
12	TS04471014002	FIXING SEAT WELDMENT LEFT BACK LOWER		1	
13	TS04471030002K	SIDE PLATE LEFT LOWER		1	

TS04486010000K TOP LIGHT HARNESS INSTALLATION ASSEMBLY



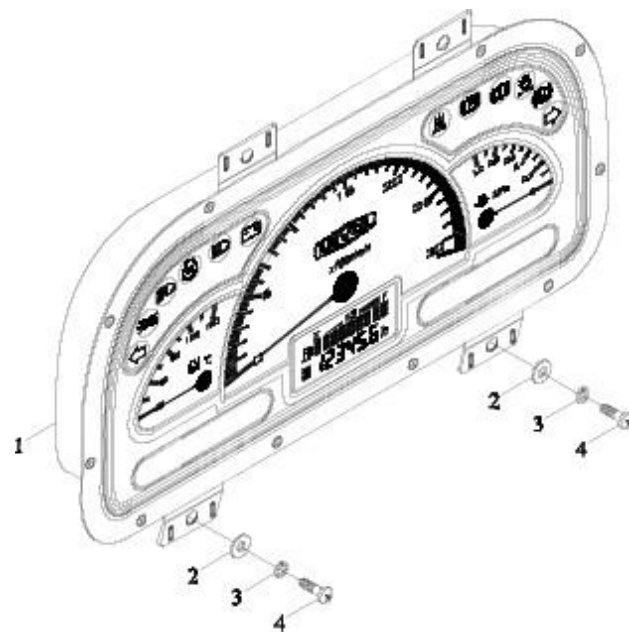
TS04486010000K TOP LIGHT HARNESS INSTALLATION ASSEMBLY

No.	Part No.	Description	Ver- sion	QTY.	Remark
	TS04486010000K	TOP LIGHT HARNESS IN- STALLATION ASSEMBLY		1	
1	TS06486010004	RIGHT ARMREST LIGHT ASSEMBLY		2	
2	TS04486010002	RUBBER RING		2	
3	TS06486010003	TOP LIGHT ASSEMBLY		4	
4	TS06486010005	FRONT SCRAPER ASSEMBLY		1	
5	FT65.48.093	THROUGH HARNESS WASHER-1		4	
6	3203505D9-L	TIE		10	
7	GBT818-M4X16-4.8-A2L	CROSS SCREW		8	
8	GBT93-4-A0P	STANDARD SPRING WASHER		8	
9	GBT97.1-4-A0P	FLAT WASHER		8	
10	GBT6170-M6-8-A2L	HEXAGON NUT, TYPE-1		12	
11	GBT6170-M4-8-A2L	HEXAGON NUT, TYPE-1		8	
12	TS04486010003	LOUDHAILER ASSEMBLY		2	
13	TS06486010006	INNER TOP LIGHT ASSEMBLY		1	
14	TS04486010001K	TOP LIGHT HARNESS ASSEMBLY		1	
15	TS06486010008	REAR SCRAPER ASSEMBLY		1	
16	TS04486010002K	ROTATING ALARM LIGHT ASSEMBLY		1	
17	GBT6170-M5-8-A2L	HEXAGON NUT, TYPE-1		3	
18	GBT93-5-A0P	STANDARD SPRING WASHER		3	
19	GBT96.1-5-A0P	BIG WASHER		3	
20	TG1204.486-01	RUBBER WASHER		3	
21	GBT5783-M6X16-8.8-A2L	HEXAGON BOLT		4	
22	GBT93-6-A0P	STANDARD SPRING WASHER		12	
23	GBT97.1-6-A0P	FLAT WASHER		4	
24	TS04486010003K	ALARM LIGHT BRACKET WELDMENT		1	
25	Q67405100	PLASTIC FASTENING STRIP		2	

TS04486010000K TOP LIGHT HARNESS INSTALLATION ASSEMBLY (cont' d.)

No.	Part No.	Description	Version	QTY.	Remark
26	TS04481010006	HARNESS TIGHTEN CLIP		4	
27	GBT5783-M8X25-8.8-A2L	HEXAGON BOLT		4	
28	GBT93-8-A0P	STANDARD SPRING WASHER		4	
29	GBT97.1-8-A0P	FLAT WASHER		4	

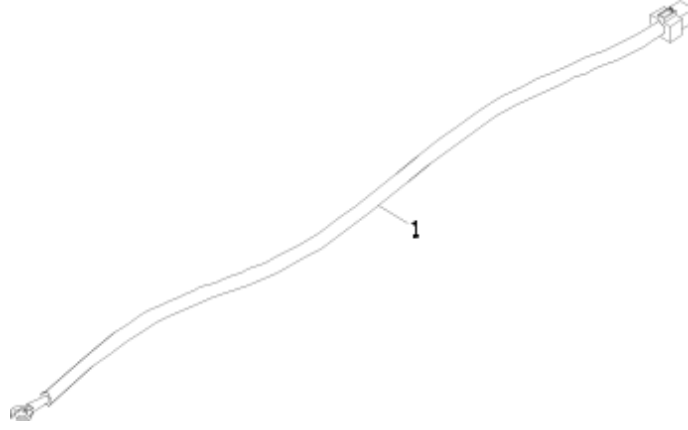
TS04487010000 COMBINED INSTRUMENT ASSEMBLY



TS04487010000 COMBINED INSTRUMENT ASSEMBLY

No.	Part No.	Description	Version	QTY.	Remark
	TS04487010000	COMBINED INSTRUMENT ASSEMBLY		1	
1	TS04487010001	COMBINED INSTRUMENT ASSEMBLY		1	
2	GBT96.1-6-A0P	BIG WASHER		4	
3	GBT93-6-A0P	STANDARD SPRING WASHER		4	
4	GBT818-M6X16-4.8-A2L	CROSS SCREW		4	

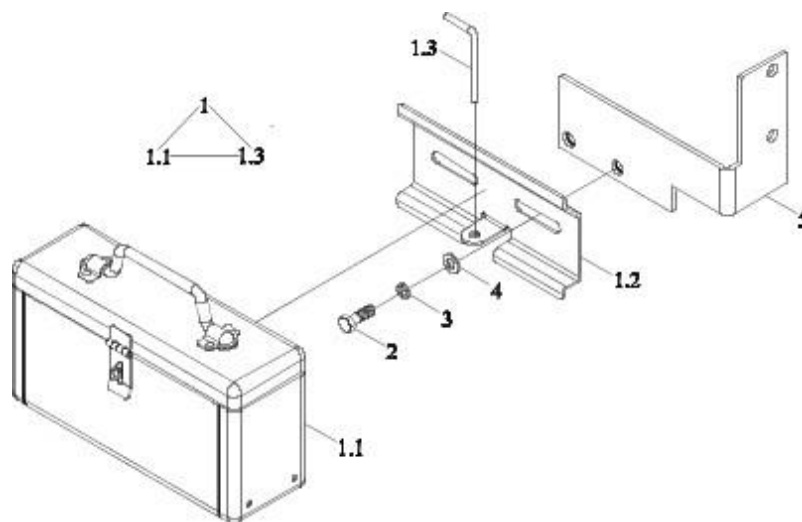
TB550. 489B PREHEATING EQUIPMENT ASSEMBLY



TB550. 489B PREHEATING EQUIPMENT ASSEMBLY

No.	Part No.	Description	Version	QTY.	Remark
	TB550.489B	PREHEATING EQUIPMENT ASSEMBLY		1	
1	TB550.489B.1	PREHEATING LINE		1	

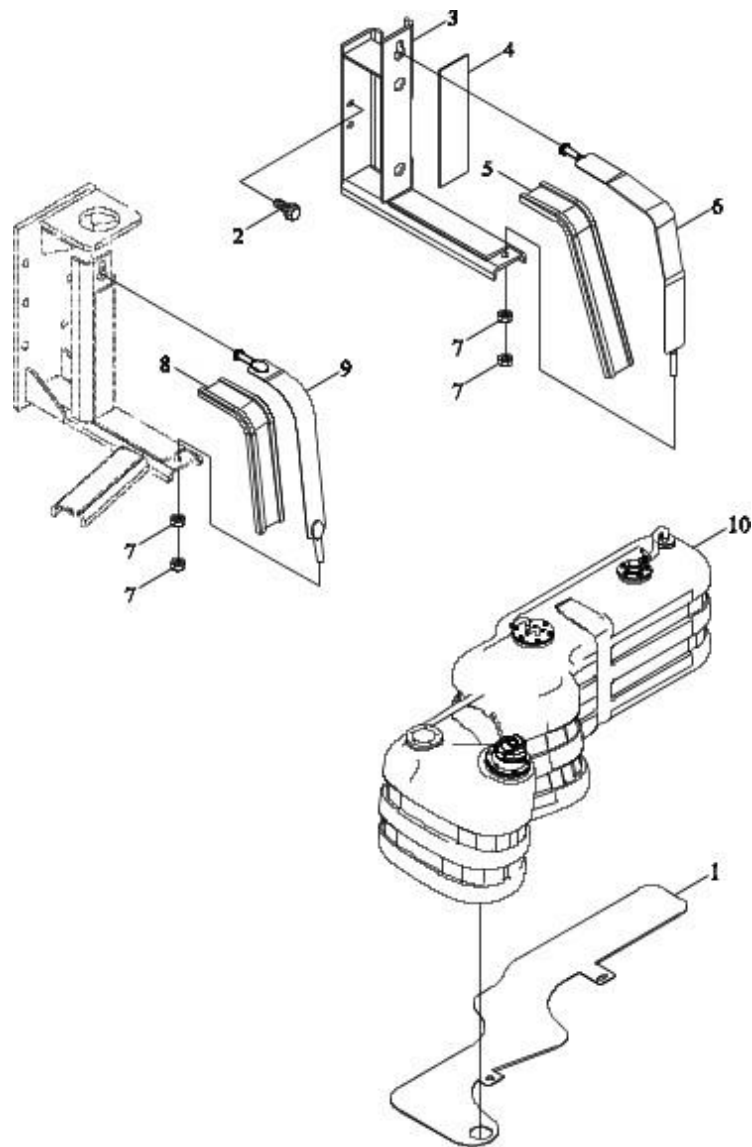
TS04490010000 TOOL BOX ASSEMBLY



TS04490010000 TOOL BOX ASSEMBLY

No.	Part No.	Description	Ver- sion	QTY.	Remark
	TS04490010000	TOOL BOX ASSEMBLY		1	
1	TB400.49.1	TOOL ASSEMBLY		1	
1.1	TB400.49.1.1	TOOL ASSEMBLY		1	
1.2	FT65.49.103	FIXED PLATE		1	
1.3	FT65.49.102	CROSS PIN		1	
2	GBT5783-M12X25-8.8-A3L	HEXAGON BOLT		2	
3	GBT93-12-A0P	STANDARD SPRING WASHER		2	
4	GBT97.1-12-A0P	FLAT WASHER		2	
5	TS04490010003	BRACKET		1	

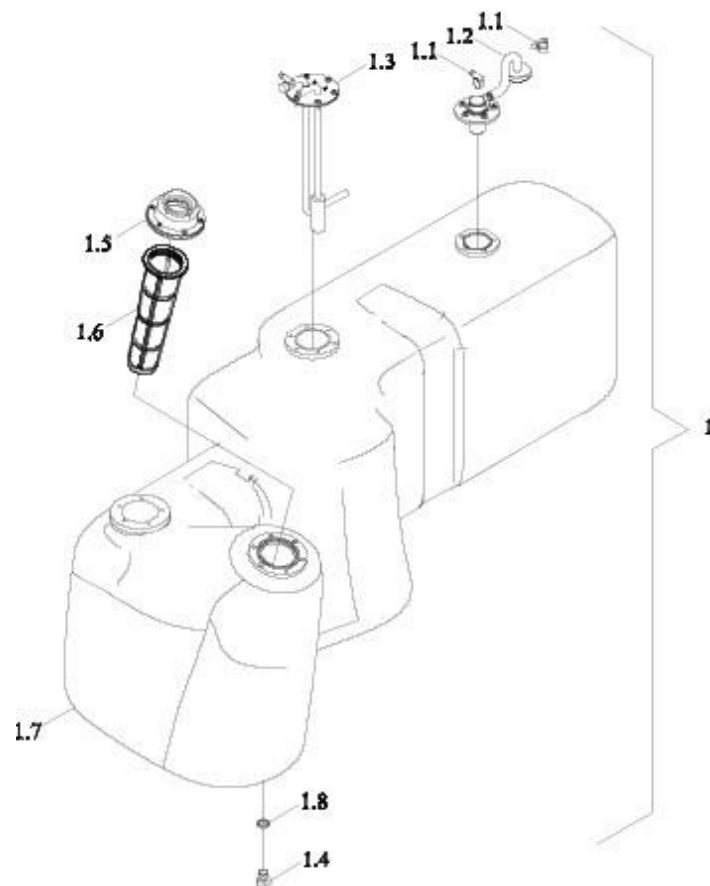
TB1S501020000K OIL TANK INSTALLATION ASSEMBLY-1



TB1S501020000K OIL TANK INSTALLATION ASSEMBLY-1

No.	Part No.	Description	Version	QTY.	Remark
	TB1S501020000K	OIL TANK INSTALLATION ASSEMBLY		1	
1	TS04501010012	OIL TANK PROTECTION PLATE		1	
2	GBT5789-M10X20-10.9-A3L	HEXAGON FLANGE NUT		2	
3	TB604.501.2	REAR BRACKET WELDMENT		1	
4	TB604.501-01	RUBBER WASHER		1	
5	TB604.501-02	TIE RUBBER STRIP		1	
6	TS04501010008	REAR FASTENING TIE WELDMENT		1	
7	GBT6170-M10-8-A3L	HEXAGON NUT, TYPE-1		4	
8	TS04501010009	TIE RUBBER STRIP		1	
9	TS04501010003	FRONT BAND WELDMENT		1	
10	TB1S501020001K	OIL TANK ASSEMBLY		1	

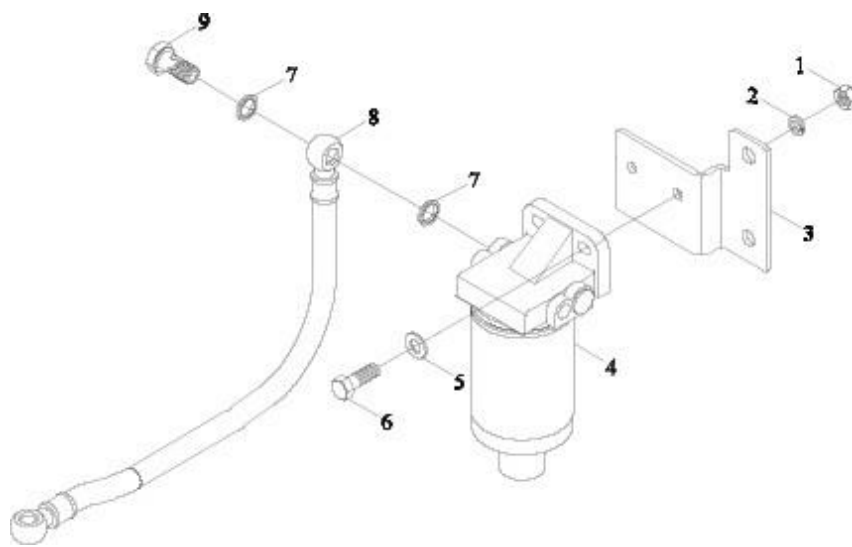
TB1S501020000K OIL TANK INSTALLATION ASSEMBLY-2



TB1S501020000K OIL TANK INSTALLATION ASSEMBLY-2

No.	Part No.	Description	Version	QTY.	Remark
	TB1S501020000K	OIL TANK INSTALLATION ASSEMBLY		1	
1	TB1S501020001K	OIL TANK ASSEMBLY		1	
1.1	Q67516	A-TYPE WORM TRANSMISSION HOSE CLAMP		2	
1.2	TS04501010006	BREATH ASSEMBLY		1	
1.3	TS04501010011	OIL OUTER		1	
1.4	Q617B12	HEXAGON PLUG		1	
1.5	TS04501010010	FILLING CAP ASSEMBLY		1	
1.6	TF1004.501.1-02	FILTER MESH		1	
1.7	TS04501010002	OIL TANK HOUSING		1	
1.8	JBT982-12	COMBINED SEAL GASKET		1	

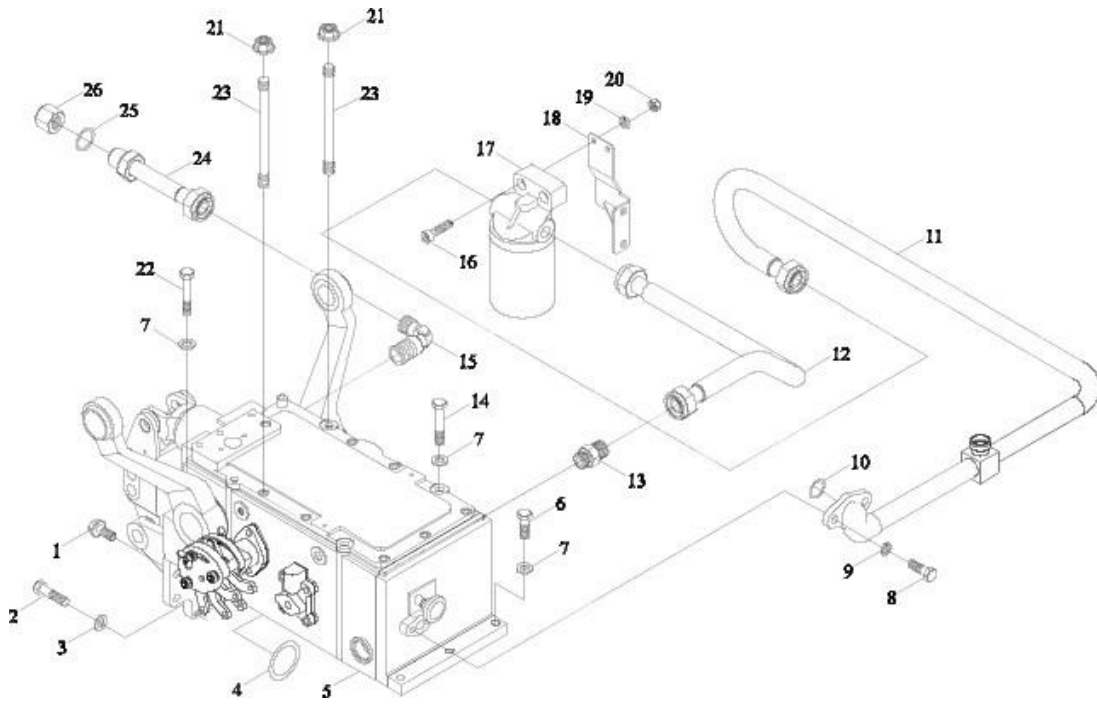
TS04503010000 OIL CONVEYING PIPE ASSEMBLY



TS04503010000 OIL CONVEYING PIPE ASSEMBLY

No.	Part No.	Description	Version	QTY.	Remark
	TS04503010000	OIL CONVEYING PIPE ASSEMBLY		1	
1	GBT6170-M8-8-A2L	HEXAGON NUT, TYPE-1		2	
2	GBT93-8-A0P	STANDARD SPRING WASHER		2	
3	TS04503010002	BRACKET		1	
4	TB604.504-03	FUEL FILTER ASSEMBLY		1	
5	GBT95-8-A0P	FLAT WASHER		2	
6	GBT5783-M8X30-8.8-A2L	HEXAGON BOLT		2	
7	JBT982-14	COMBINED SEAL GASKET		2	
8	TA700.503A.2	OIL OUTLET PIPE ASSEMBLY		1	
9	FT65.50.106	HOLLOW BOLT		1	

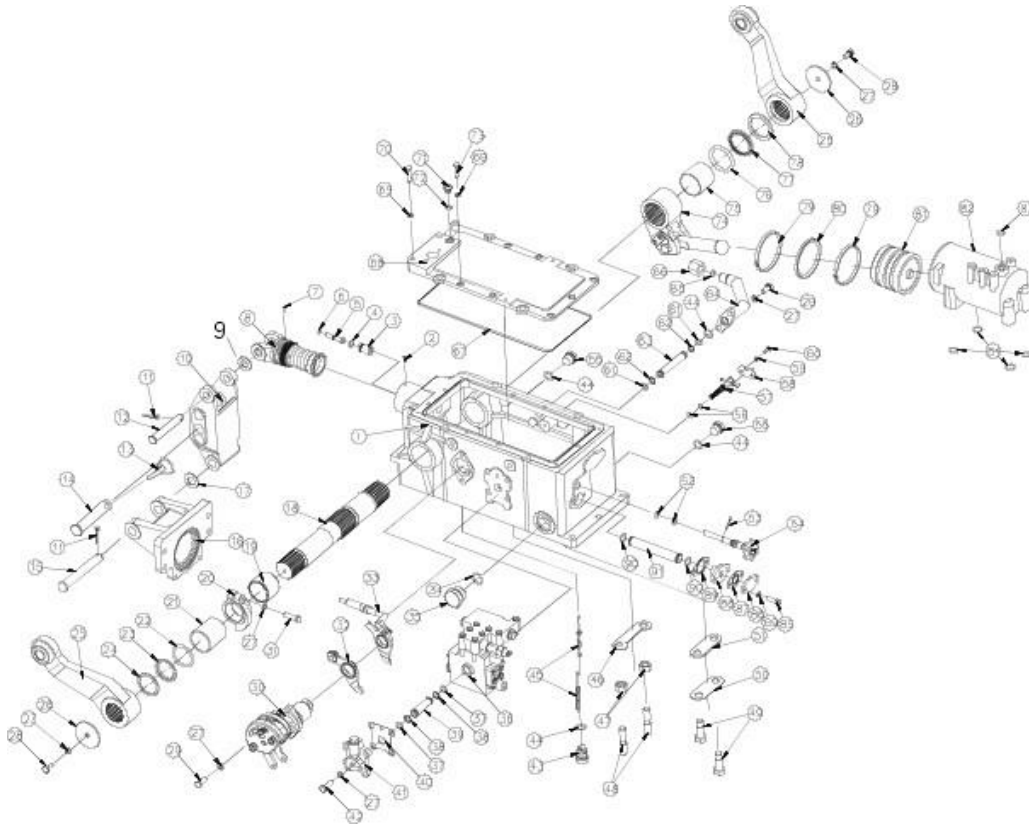
TC0255125000K LIFTER INSTALLATION ASSEMBLY-1



TC0255125000K LIFTER INSTALLATION ASSEMBLY-1

No.	Part No.	Description	Version	QTY.	Remark
	TC0255125000K	LIFTER INSTALLATION ASSEMBLY		1	
1	GBT16674.1-M12X35-10.9-A2L	HEXAGON FLANGE NUT		4	
2	GBT5783-M8X30-10.9-A2L	HEXAGON BOLT		2	
3	TB300.55-02	WASHER		2	
4	GBT3452.1-103X2.65G	RUBBER O-SEAL RING		1	
5	TC02551200005K	LIFTER ASSEMBLY		1	
6	GBT5783-M12X40-10.9-A3L	HEXAGON BOLT		3	
7	TB404.312B-01	WASHER		7	
8	GBT5783-M8X30-8.8-A2L	HEXAGON BOLT		2	
9	GBT93-8-A3L	STANDARD SPRING WASHER		2	
10	GBT3452.1-25.8X2.65G	RUBBER O-SEAL RING		1	
11	TC02582080001	OIL FILTER INTO PIPE ASSEMBLY		1	
12	TC02582070003	OIL RETURN PIPE ASSEMBLY		1	
13	TC02582070006	END STRAIGHT THREAD CONNECTOR BODY M22-18		1	
14	FT300.55B.136	BOLT M12 X 235		2	
15	TC04582390032	ADJUSTABLE JOINT		1	
16	GBT70.1-M10X40-8.8-A3L	INNER HEXAGON SCREW		2	
17	TC02582070001	OIL RETURN FILTER ASSEMBLY		1	
18	TC02582070015	BRACKET WELDMENT		1	
19	GBT93-10-A3L	STANDARD SPRING WASHER		2	
20	GBT6170-M10-8-A3L	HEXAGON NUT, TYPE-1		2	
21	SPL-CO-M12-10-F3	HEXAGON NUT		2	
22	TB300.55-01	DOUBLE END STUDS M12X250		2	
23	TC02551070003	OIL OUT PIPE ASSY.		1	
24	GBT3452.1-12.5X2.65G	RUBBER O-SEAL RING		1	
25	FT300.55B.121a	OIL CONVEYING PIPE NUT		1	
26	GBT5783-M12X100-10.9-A3L	HEXAGON BOLT		2	

TC0255125000K LIFTER INSTALLATION ASSEMBLY-2



TC0255125000K LIFTER INSTALLATION ASSEMBLY-2

No.	Part No.	Description	Version	QTY.	Remark
	TC02551200005K	LIFTER ASSEMBLY		1	
1	TC02551200006K	LIFTER HOUSING		1	
2	GBT75-M6X12-22H	SCREW		1	
3	25.55.145L	FORCE ADJUSTING SEAL SLEEVE		1	
4	GBT3452.1-16X1.8	O-RING		1	
5	25.55.146A	PUSH ROD SLEEVE		1	
6	GBT3452.1-8X1.8	O-RING		1	
7	GBT119-C4X14	PIN		1	
8	FT500B.55.022	FORCE ADJUSTING SPRING		1	
9	GBT97.1-20	WASHER		1	
10	FT500B.55.130A	UPPER JOINT ROCKER ARM		1	
11	GBT91-5X36	PIN		2	
12	FT500A.55.106	ROCKER UPPER CONNECTING PIN		1	
13	25.56.030	LOCKING PIN AND RING ASSEMBLY		1	
14	FT500A.55B.182	ROCKER FRONT CONNECTING PIN		1	
15	450.55.167	ROCKER CONNECTING PIN		1	
16	TC02551050001K	UPPER SUSPENSION POINT ROCKER BRACKET		1	
17	GBT97.1-22	WASHER		1	
18	FT500B.55.228	LIFTING SHAFT		1	
19	ES400.55.116	SPACER BUSH		1	
20	FT500B.55.214	CAM		1	
21	FT500B.55.231	SHAFT SLEEVE A		1	
22	GBT3452.1-50.5X5.3	O-RING		1	
23	GWJ50X60X5M1005	DUSTPROOF RING		1	
24	FT500B.55.229	RETAINER RING		1	
25	FT500B.55.030	LIFTING ARM ASSEMBLY		2	
26	FT500B.55.127	LIFTING ARM PRESSURE PLATE		2	
27	GBT93-10	WASHER		11	
28	GBT5783-M10X20	BOLT		2	
29	GBT5783-M10X25	BOLT		4	

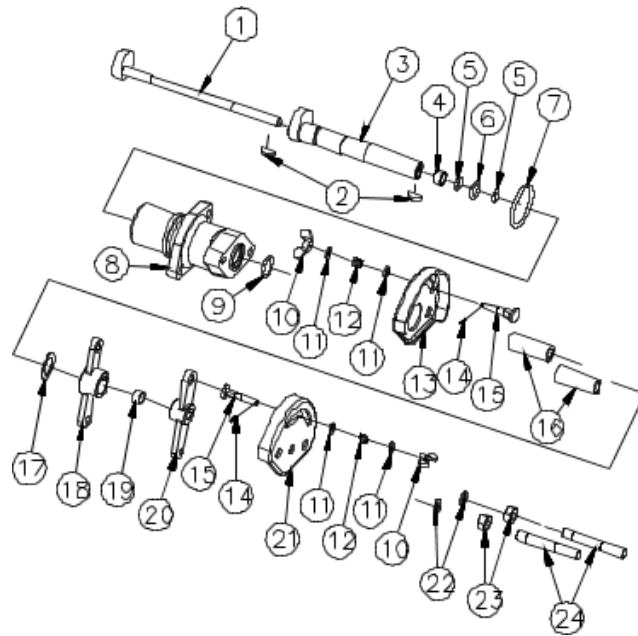
TC02551250000K LIFTER INSTALLATION ASSEMBLY-2 (cont' d.)

No.	Part No.	Description	Ver- sion	QTY.	Remark
30	TB504.551F.5.1B	DISTRIBUTOR CONTROL MECHANISM ASSEMBLY		1	
31	GBT5783-M10X35	BOLT		1	
32	KM550.55.014	POSITION ADJUSTING LEVER		1	
33	FT500B.55.014	FORCE ADJUSTING LEVER		1	
34	GBT3765-29.6X2.9	O-RING		1	
35	TC0255.103	PLUG M33X2		1	
36	TB504.551E.1.013B	DISTRIBUTOR ASSEMBLY		1	
37	GBT3452.1-15X1.8	O-RING		2	
38	BY350.55.201	RETAINER RING		2	
39	FT500B.55.103A	OIL INLET PIPE		1	
40	FT500B.55.102	OIL INLET CONNECTING PLATE PAPER GASKET		1	
41	FT500B.55.011	OIL INLET CONNECTING PLATE ASSEMBLY		1	
42	GBT5783-M10X30	BOLT		4	
43	TS300B.55.110A	SPRING HOOK		1	
44	GBT3452.1-19X2.65	O-RING		4	
45	FT500A.55.109	PULL SPRING		2	
46	FT500B.55.118	LOCK WASHER		1	
47	GBT6170-M16-10	NUT		2	
48	GBT898-AM16X40-10.9	STUD		2	
49	FT500B.55.125	OIL CYLINDER BOLT		2	
50	FT500B.55.121	LOCK WASHER		1	
51	FT500B.55.120	WASHER		1	
52	GBT3452.1-11.2X2.65	O-RING		2	
53	GBT91-4X20	PIN		1	
54	YT300A.55.014	LOW SPEED ADJUSTING ROD ASSEMBLY		1	
55	TFP75-2.110	SCREW PLUG		2	
56	GBT3452.1-10X1.8	O-RING		2	
57	FT500B.55.020A	INTERCEPTING VALVE ADJUSTING ROD ASSEMBLY		1	
58	YT300A.55.122	LIMIT PLATE		1	
59	GBT93-6	WASHER		2	
60	GBT5783-M6X14	BOLT		2	

TC02551250000K LIFTER INSTALLATION ASSEMBLY-2 (cont' d.)

No.	Part No.	Description	Ver- sion	QTY.	Remark
61	GBT3452.1-13.2X1.8	O-RING		2	
62	FT500B.55.226	RETAINER RING		2	
63	FT500B.55.105B	OIL OUTLET PIPE		1	
64	FT500B.55.140A	HYDRAULIC OUTLET PIPE JOINT		1	
65	GBT3452.1-12.5X2.65	O-RING		1	
66	FT500A.55.123	OIL CONVEYING PIPE NUT		1	
67	FT500B.55.232	MAT		1	
68	TC02551200007K	LIFTER UPPER COVER		1	
69	GBT93-8	WASHER		12	
70	GBT5783-M8X35	BOLT		3	
71	DF354.57.114	PLUG OF OIL RETURN VALVE		1	
72	GBT3765-11.3X2.2	O-RING		1	
73	GBT5783-M8X20	BOLT		7	
74	FT500B.55.016A	INNER ARM AND PISTON MANDRIL ASSY		1	
75	FT500B.55.234	LIFTING SHAFT SLEEVE		1	
76	GBT3452.1-55X8	O-RING		1	
77	GWJ55X70X5M1005	DUSTPROOF RING		1	
78	FT500B.55.230	RETAINER RING		1	
79	GBT15242.2-SD1000-II a	SUPPORT RING		2	
80	GBT15242.1-TF1000B-II	SEALING		1	
81	FT500B.55.137	PISTON		1	
82	FT500B.55.106B	OIL CYLINDER BODY		1	
83	GBT3452.1-13.2X2.65	O-RING		1	
84	GBT3452.1-18X2.65	O-RING		4	
85	GBT5783-M8X30	BOLT		2	
86	DF65.55.167A	RETAINER PLATE		1	
87	DF65.55.168A	RETAINER PLATE MAT		1	
88	TB504.551E.1.201	OIL RETURN FILTER CON- NECTING PLATE		1	
89	TB504.551E.1.203	OIL RETURN FILTER MAT		1	
90	GBT3452.1-19X1.8	O-RING		2	
91	TB504.551E.1.202B	OIL RETURN FILTER PIPE		1	

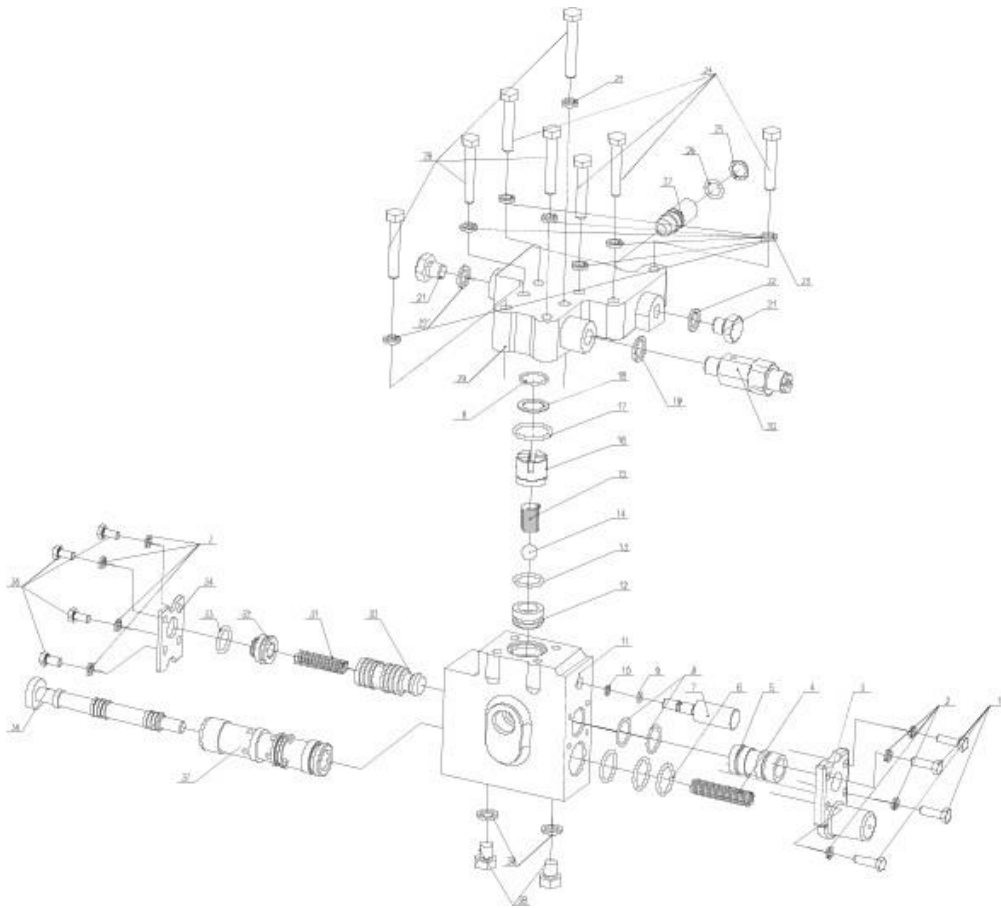
TC0255125000K LIFTER INSTALLATION ASSEMBLY-3



TC0255125000K LIFTER INSTALLATION ASSEMBLY-3

No.	Part No.	Description	Version	QTY.	Remark
	TB504.551F.5.1B	DISTRIBUTOR CONTROL MECHANISM ASSEMBLY		1	
1	TB504.551.1.1.4B	FORCE ADJUSTING ECCENTRIC WHEEL WELDMENT ASSEMBLY		1	
2	GBT1099-4X13	KEY		2	
3	TB504.551.1.1.5C	POSITION ADJUSTING ECCENTRIC WHEEL SLEEVE ASSEMBLY		1	
4	FT500B.55.199	HANDLE SHAFT BUSH		1	
5	GBT3452.1-9.5X2.65	O-RING		2	
6	GBT3452.1-15X2.65	O-RING		1	
7	GBT3452.1-41.2X3.55	O-RING		1	
8	TB504.551.1.1-01D	SEAT		1	
9	GBT3452.1-20X2.65	O-RING		1	
10	GBT62-M6	NUT		2	
11	GBT96-6	WASHER		4	
12	25.55.131	HANDLE PRESSING SPRING		2	
13	TB504.551.1.1-02	POSITION ADJUSTING SECTOR PLATE		1	
14	GBT91-2X12	PIN		2	
15	FT65.57.103	HANDLE PRESSING SCREW		2	
16	TB504.551.1.1-04	SPACER BUSH		2	
17	NDF65.55.201	WASHER		1	
18	TB504.551F.5.1.2	ROCKER		1	
19	NDF550.55.199	SPACER BUSH		1	
20	TB504.551F.5.1.1	ROCKER		1	
21	TB504.551.1.1-03	FORCE ADJUSTING SECTOR PLATE		1	
22	GBT93-10	WASHER		2	
23	GBT6170-M10	NUT		2	
24	GBT898-M10X65	STUD		2	

TC0255125000K LIFTER INSTALLATION ASSEMBLY-4



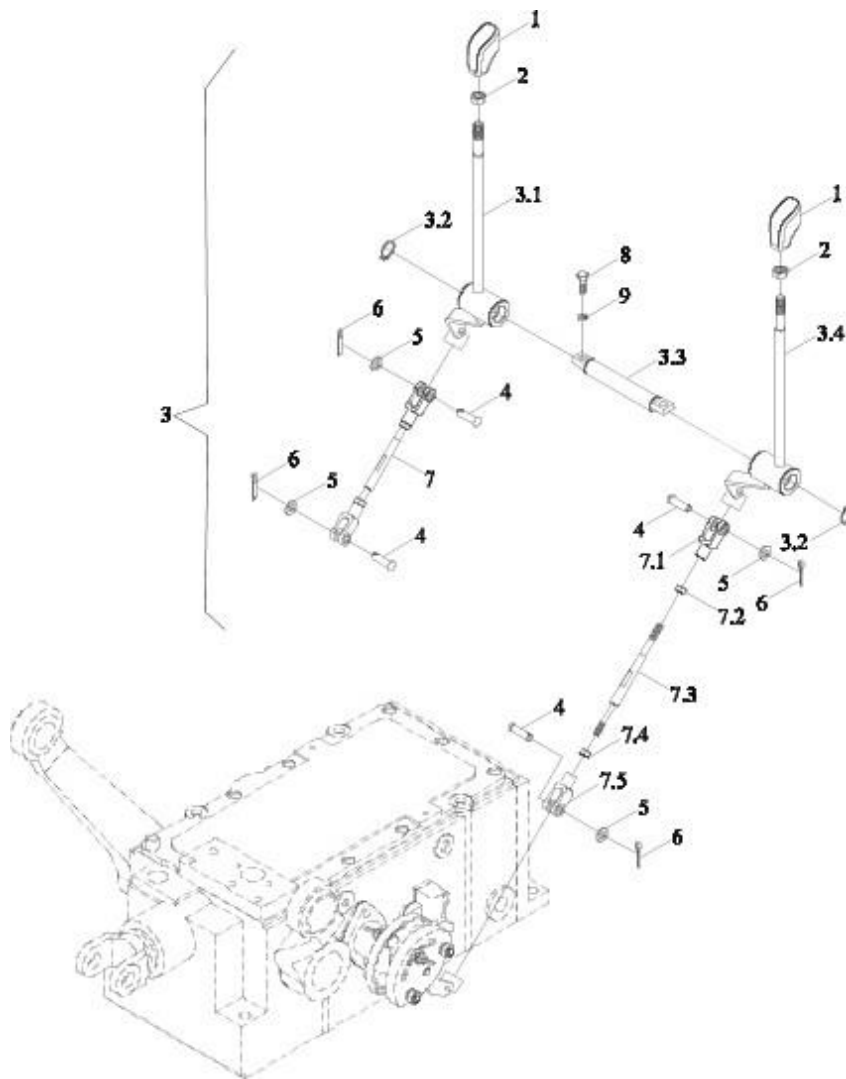
TC0255125000K LIFTER INSTALLATION ASSEMBLY-4

No.	Part No.	Description	Version	QTY.	Remark
	TB504.551E.1.013B	DISTRIBUTOR ASSEMBLY		1	
1	GBT5783-M6X30	BOLT		4	
2	GBT93-6	WASHER		8	
3	TB504.551E.1.183	VALVE FRONT COVER		1	
4	25.55.181	MAIN CONTROL VALVE SPRING		1	
5	KR130.55.105	SEAL SLEEVE		1	
6	GBT3452.1-21.2X2.65	O-RING		3	
7	TS300B.55.187B	ADJUSTING VALVE		1	
8	GBT3452.1-19X1.8	O-RING		3	
9	GBT3452.1-5X1.8	O-RING		1	
10	FT500B.55.224	RETAINER RING		1	
11	FT500B.55.117	DISTRIBUTOR HOUSING		1	
12	TB704.55A.143	ONE-WAY VALVE SEAT		1	
13	GBT3452.1-19X2.65	O-RING		1	
14	GBT308-1/2"G40b	STEEL BALL		1	
15	T30.57.144B	ONE-WAY VALVE SPRING		1	
16	TB704.55A.201	ONE-WAY VALVE SLEEVE		1	
17	GBT3452.1-25.7X2.65	O-RING		1	
18	TB704.55A.202	ONE WAY VALVE MAT		1	
19	JBT982-14	COMBINED SEAL GASKET		1	
20	TS300B.55.033B	SAFETY VALVE ASSEMBLY		1	
21	JBT1000-M12X1.5	SCREW PLUG		2	
22	JBT982-12	COMBINED SEAL GASKET		2	
23	GBT93-8	WASHER		8	
24	GBT5782-M8X45	BOLT		4	
25	E300.55.138	RETAINER RING		1	
26	GBT3452.1-11.2X2.65	O-RING		1	
27	FT500B.55.246A	INTERCEPTING VALVE		1	
28	GBT5782-M8X50	BOLT		4	
29	FT500B.55.107A	DISTRIBUTOR SUPPORT SEAT		1	
30	TT90.55.173	OIL RETURN VALVE BODY		1	
31	65-4604030-2	OIL RETURN VALVE SPRING		1	
32	25.55.176A	OIL RETURN VALVE PLUG		1	
33	GBT3452.1-17X2.65	O-RING		1	

TC02551250000K LIFTER INSTALLATION ASSEMBLY-4 (cont' d.)

No.	Part No.	Description	Version	QTY.	Remark
34	BY320.55.180	LIMIT PLATE		1	
35	GBT5783-M6X12	BOLT		4	
36	FT500B.55.218	MAIN CONTROL VALVE		1	
37	FT500B.55.217A	MAIN CONTROL VALVE SLEEVE		1	
38	JBT1000-M10X1	SCREW PLUG		2	
39	JBT982-10	COMBINED SEAL GASKET		2	

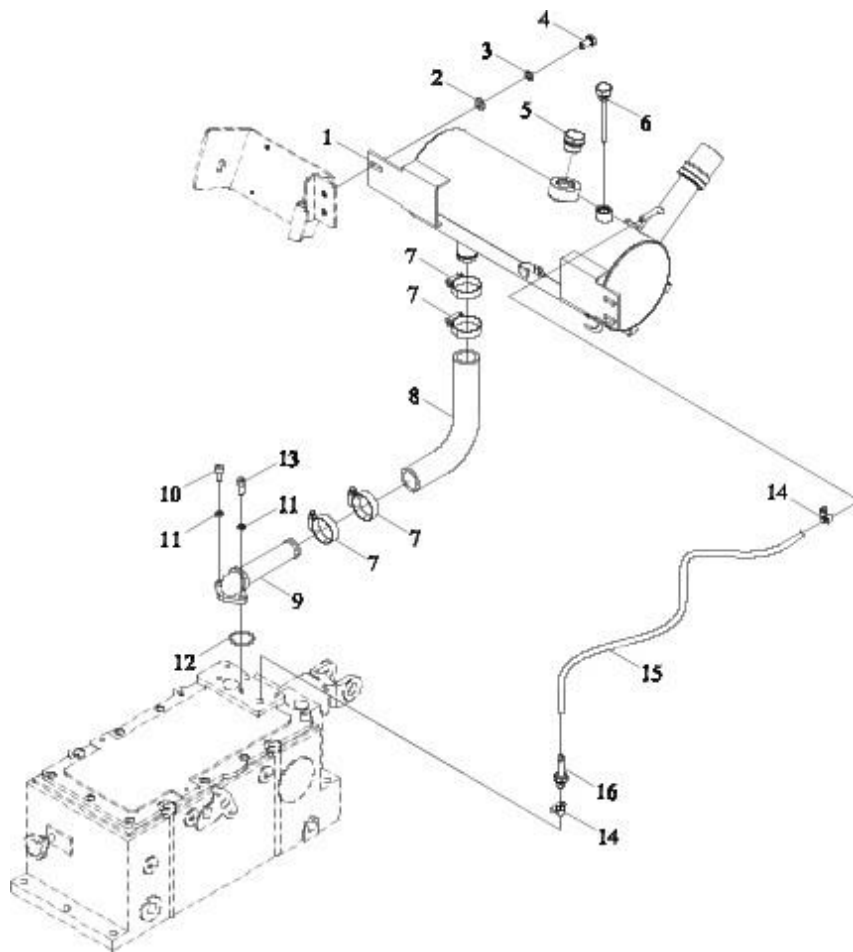
TS04552010000 LIFTER OPERATION ASSEMBLY



TS04552010000 LIFTER OPERATION ASSEMBLY

No.	Part No.	Description	Version	QTY.	Remark
	TS04552010000	LIFTER OPERATION ASSEMBLY		1	
1	TS04552010011	CONTROL HANDLE HEAD		2	
2	GBT6170-M10-8-A3L	HEXAGON NUT, TYPE-1		2	
3	TS04552010010	LIFTER CONTROL MECHANISM ASSEMBLY		1	
3.1	TS04552010002	LIFTER CONTROL PRESSURE UNIT 1		1	
3.2	GBT894.1-20	CIRCLIP FOR SHAFT		2	
3.3	TS04552010001	FIXING SHAFT		1	
3.4	TS04552010007	LIFTER CONTROL PRESSURE UNIT 2		1	
4	GBT882-B8X30-A0P	PIN SHAFT		4	
5	GBT97.1-8-A0P	FLAT WASHER		4	
6	GBT91-3.2X16-A0P	SPLIT PIN		4	
7	TS04552010012	ADJUSTING ROD		2	
7.1	TB504.552D.3-03	RIGHT REVOLVING CONNECTING FORK		1	
7.2	GBT6170-M8-8-A2L	HEXAGON NUT, TYPE-1		1	
7.3	TS04552010013	CONTROL PULL ROD		1	
7.4	GBT6170-M8-LH-8-A2L	HEXAGON NUT, TYPE-1		1	
7.5	TB504.552D.3-02	LEFT REVOLVING PULL ROD FORK		1	
8	GBT5783-M8X25-8.8-A2L	HEXAGON BOLT		2	
9	GBT93-8-A0P	STANDARD SPRING WASHER		2	

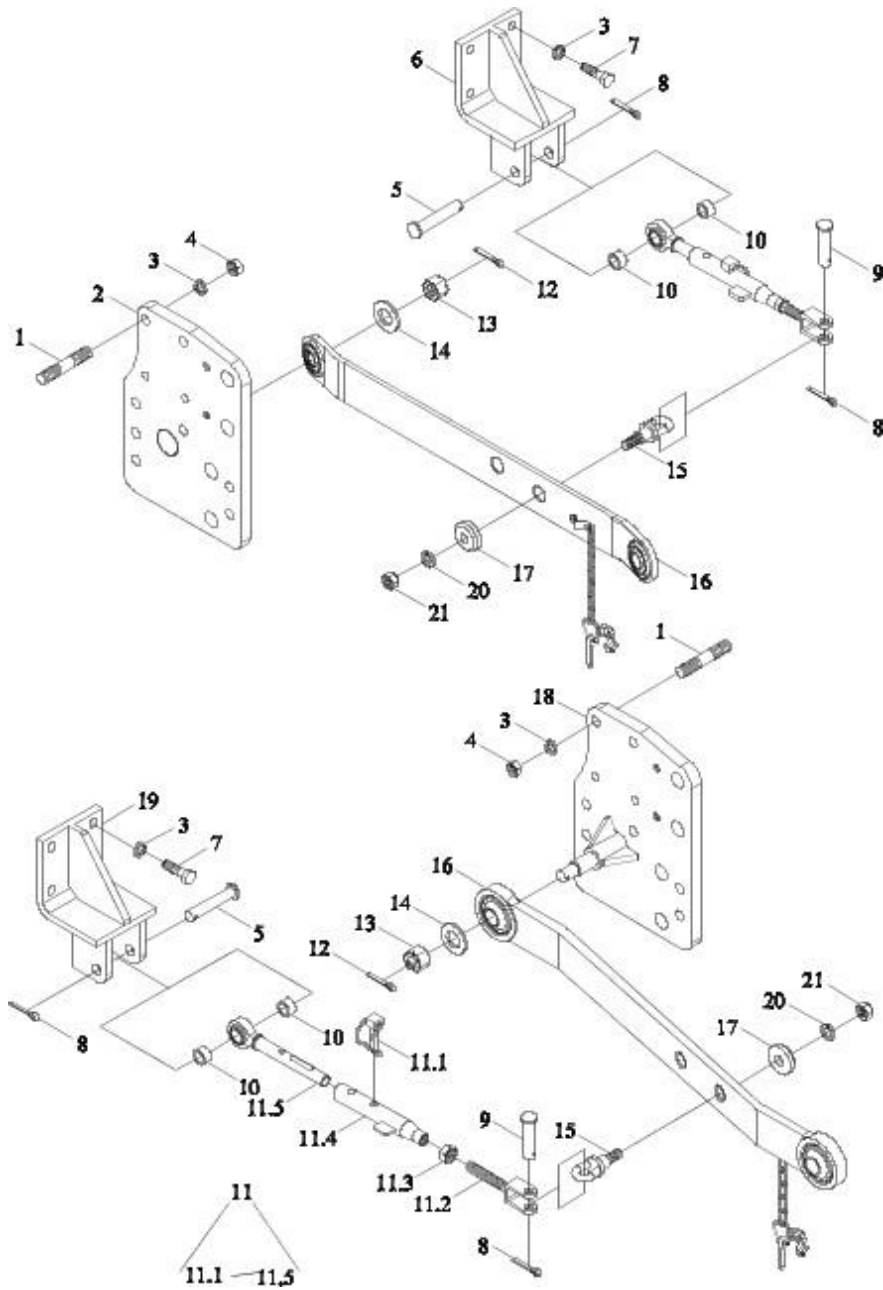
TC02553070000K HYDRAULIC AUXILIARY OIL TANK ASSEMBLY



TC02553070000K HYDRAULIC AUXILIARY OIL TANK ASSEMBLY

No.	Part No.	Description	Version	QTY.	Remark
	TC02553070000K	HYDRAULIC AUXILIARY OIL TANK ASSEMBLY		1	
1	TC02553070001K	AUXILIARY OIL TANK WELDMENT		1	
2	GBT97.1-10-A3L	FLAT WASHER		3	
3	GBT93-10-A3L	STANDARD SPRING WASHER		3	
4	GBT5783-M10X20-8.8-A3L	HEXAGON BOLT		3	
5	TC04553010011K	SCREW PLUG		1	
6	TC02553010003	OIL DIPSTICK ASSY		1	
7	Q67645	B-TYPE WORM TRANSMISSION HOSE CLAMP		4	
8	TC02553070004K	CONNECTING RUBBER PIPE		1	
9	TC02553050005K	CONNECTING OIL PIPE WELDMENT		1	
10	GBT70.1-M8X20-8.8-A2L	INNER HEXAGON SCREW		1	
11	GBT93-8-A3L	STANDARD SPRING WASHER		2	
12	GBT3452.1-34.5X2.65G	RUBBER O-SEAL RING		1	
13	GBT70.1-M8X20-10.9	INNER HEXAGON SCREW		1	
14	Q67512	A-TYPE WORM TRANSMISSION HOSE CLAMP		2	
15	TC02553070003K	BREATH HOSE		1	
16	TC02553010005	BREATH JOINT WELDMENT		1	

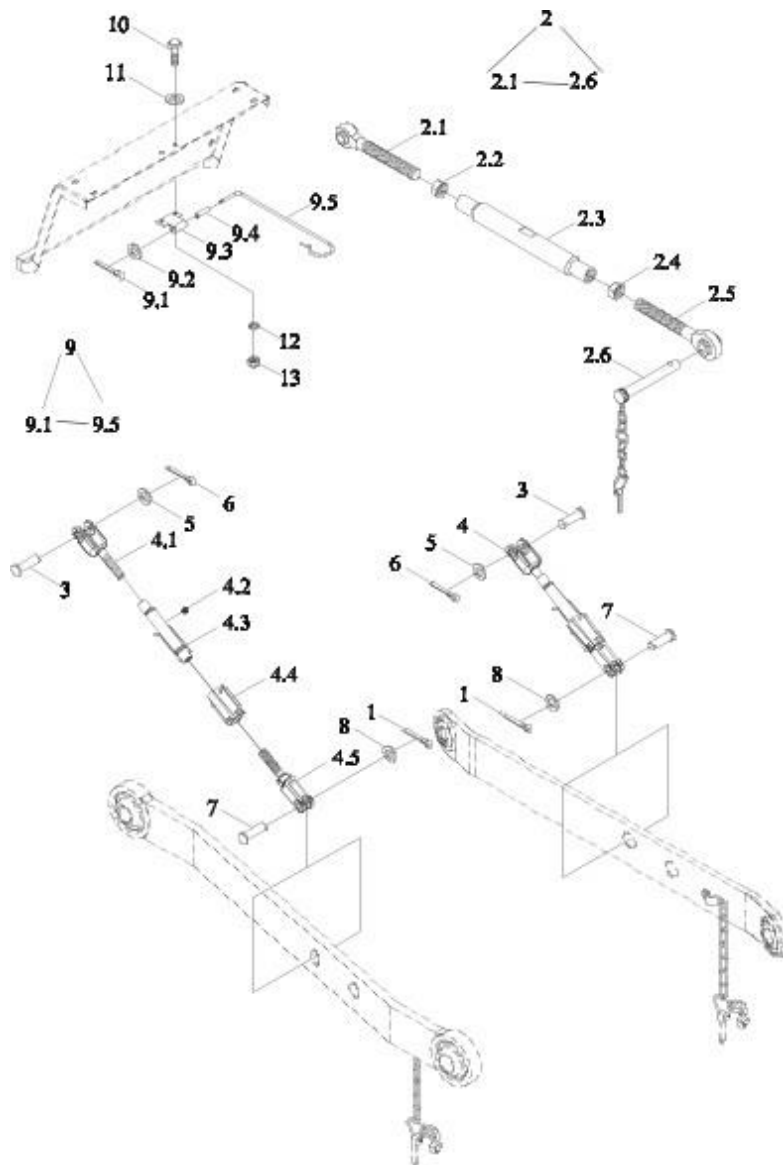
TC0256104000K SUSPENSION ASSEMBLY-1



TC02561040000K SUSPENSION ASSEMBLY-1

No.	Part No.	Description	Ver- sion	QTY.	Remark
	TC02561040000K	SUSPENSION ASSEMBLY		1	
1	GBT899-AM16-M16X1.5X45-10.9-A3 L	STUD		8	
2	FT300.56B.014	RIGHT LOWER PULL ROD SEAT WELDMENT		1	
3	GBT93-8-A0P	WASHER		16	
4	SPL-CO-M16X1.5-10-F3	NUT		8	
5	FT300.56A.102	LIMITING ROD CONNECTING PIN		2	
6	FT300.56A.019	RIGHT LIMITING ROD BRACKET WELDMENT		1	
7	GBT16674.1-M16X40-10.9-A3L	BOLT		8	
8	GBT91-5X32-A0P	PIN		4	
9	GBT882-B18X55-A0P	PIN SHAFT		2	
10	FT300.56A.103	BUSH		4	
11	FT300.56A.016a	LIMIT ROD ASSEMBLY		2	
11.1	FT300.56A.023	LIMITING ROD LOCK PIN ASSEMBLY		1	
11.2	FT300.56A.161	LIMITING ROD ADJUSTING SCREW		1	
11.3	GBT6170-M22-8-A9L	NUT		1	
11.4	FT300.56A.022a	EXTENSIBLE GUIDE PIPE WELDMENT		1	
11.5	FT300.56A.021a	EXTENSIBLE ROD BALL ASSEMBLY		1	
12	GBT91-4X36-A0P	PIN		2	
13	GBT6178-M20-8-A9L	NUT		2	
14	GBT97.1-20-A0P	WASHER		2	
15	FT300.56A.110a	LIMITING ROD REAR CONNECTING PIN		2	
16	FT500A.56.012	LOWER PULL ROD ASSEMBLY		2	
17	FT300.56A.111a	CIRCULAR PLATE		2	
18	FT300.56B.015	LEFT LOWER PULL ROD SEAT WELDMENT		1	
19	FT300.56A.017	LEFT LIMITING ROD BRACKET WELDMENT		1	
20	GBT93-20-A0P	WASHER		2	
21	GBT6170-M20-8-A3L	NUT		2	

TC0256104000K SUSPENSION ASSEMBLY-2



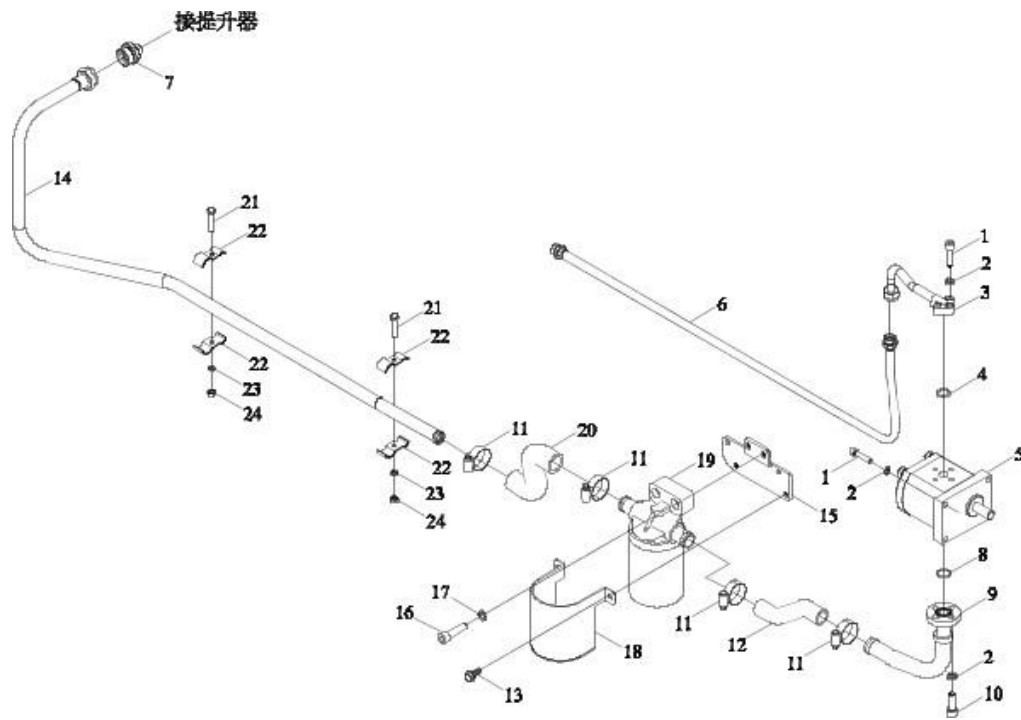
TC02561040000K SUSPENSION ASSEMBLY-2

No.	Part No.	Description	Version	QTY.	Remark
	TC02561040000K	SUSPENSION ASSEMBLY		1	
1	GBT91-5X32-A0P	PIN		2	
2	FT500A.56.011a	UPPER PULL ROD ASSEMBLY		1	
2.1	FT500A.56.026	UPPER PULL ROD FRONT ADJUSTING ROD ASSEMBLY		1	
2.2	GBT6173-M27X2-05-A3L	HEXAGON THIN NUT		1	
2.3	FT500A.56.130	ADJUSTING SOLENOID		1	
2.4	GBT6173-M27X2-05-A3L	HEXAGON THIN NUT		1	
2.5	FT500A.56.024	UPPER PULL ROD REAR ADJUSTING ROD ASSEMBLY		1	
2.6	FT65.56.015	UPPER PULL ROD LOCK PIN ASSEMBLY		1	
3	FT500A.56.101	LIFTING ROD UPPER CONNECTING PIN		2	
4	TB400.56E.1	LIFTING ROD ASSEMBLY		2	
4.1	TB400.56E.1-01	LIFTING ROD UPPER CONNECTING FORK		1	
4.2	TB400.56E.1-01	LIFTING ROD UPPER CONNECTING FORK		1	
4.3	TB400.56E.1.1	ADJUSTING SCREW WELDMENT		1	
4.4	TB400.56E.1.2	ADJUSTING SLEEVE WELDMENT		1	
4.5	TB400.56E.1.3	LOWER CONNECTING FORK WELDMENT		1	
5	FT500A.56.118	WASHER		2	
6	GBT91-5X40-A0P	PIN		2	
7	FT300.56A.112	LIFTING ROD LOWER CONNECTING PIN		2	
8	GBT97.1-24-A0P	WASHER		2	
9	TB500.56B.6	UPPER PULL ROD FIXED CLIP COMBINATION		1	
9.1	GBT91-2X14-A0P	SPLIT PIN		1	
9.2	GBT96.1-6-A0P	BIG WASHER		1	
9.3	TE300.56.6-01	FIXING SEAT		1	
9.4	TE300.56.6-03	NYLON BUSH		1	
9.5	TB500.56B.6-01	FIXED POTHOOK OF UPPER LINK		1	

TC02561040000K SUSPENSION ASSEMBLY-2 (cont' d.)

No.	Part No.	Description	Ver- sion	QTY.	Remark
10	GBT5783-M8X20-8.8-A2L	BOLT		2	
11	GBT97.1-8-A0P	WASHER		2	
12	GBT93-8-A0P	WASHER		2	
13	GBT6170-M8-8-A2L	NUT		2	

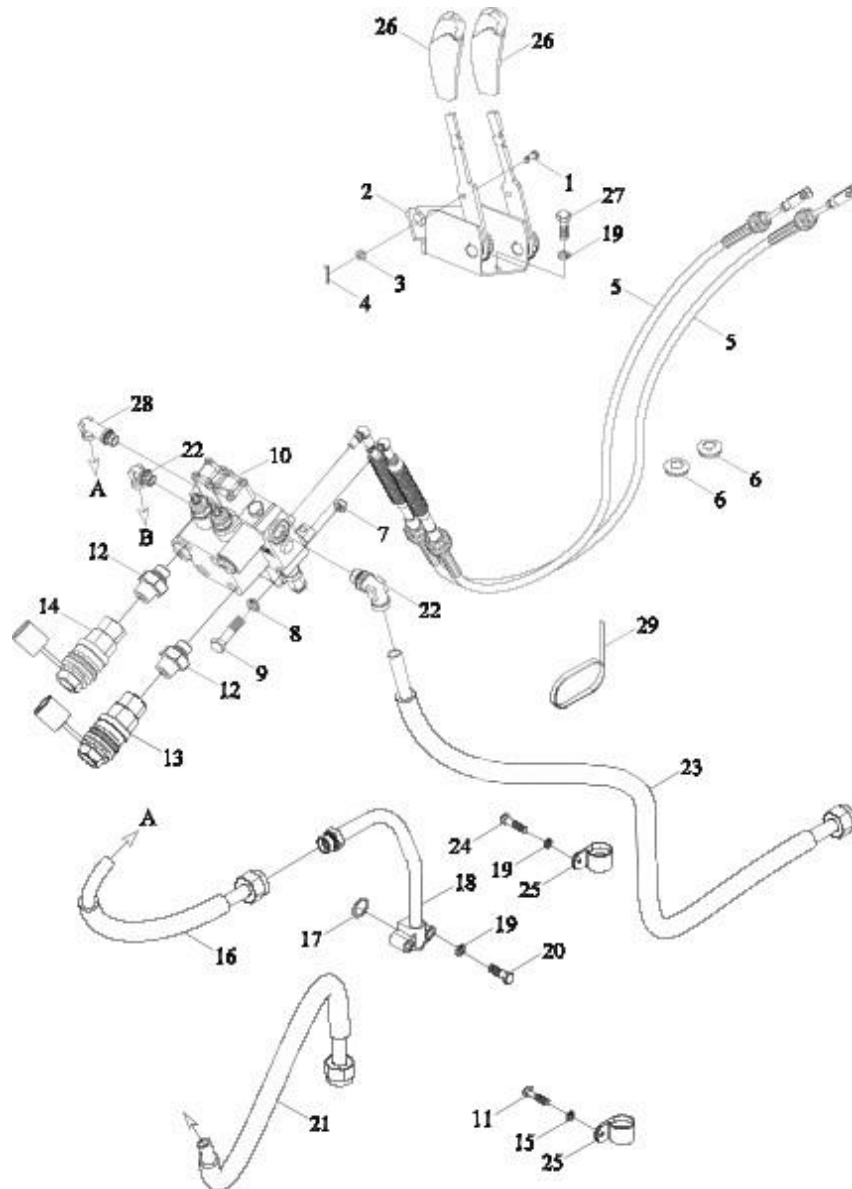
TS04581070000K OIL PUMP/PIPE/FILTER ASSEMBLY



TS04581070000K OIL PUMP/PIPE/FILTER ASSEMBLY

No.	Part No.	Description	Version	QTY.	Remark
	TS04581070000K	OIL PUMP/PIPE/FILTER ASSEMBLY		1	
1	GBT70.1-M8X30-8.8-A2L	INNER HEXAGON SCREW		7	
2	GBT93-8-A3L	STANDARD SPRING WASHER		11	
3	TS04581070010K	PRESSURE OIL PIPE ASSEMBLY 1		1	
4	GBT3452.1-18.0X2.65G	RUBBER O-SEAL RING		1	
5	TC02581240001K	GEAR PUMP		1	
6	TS04581070008K	PRESSURE OIL PIPE ASSEMBLY 2		1	
7	TC03581030007	END STRAIGHT THREAD CONNECTOR BODY M33-28		1	
8	GBT3452.1-21.2X1.80G	RUBBER O-SEAL RING		1	
9	TS04581070002K	OIL SUCTION PIPE WELDMENT ASSEMBLY		1	
10	GBT70.1-M8X25-8.8-A2L	INNER HEXAGON SCREW		4	
11	Q67638	B-TYPE WORM TRANSMISSION HOSE CLAMP		4	
12	TS04581070007K	OIL OUTLET PIPE		1	
13	GBT16674.1-M8X16-8.8-A2L	HEXAGON FLANGE NUT		4	
14	TC02581480001K	OIL SUCTION STEEL PIPE ASSEMBLY		1	
15	TS04581070004K	FIXING PLATE WELDMENT		1	
16	GBT70.1-M10X40-8.8-A3L	INNER HEXAGON SCREW		2	
17	GBT93-10-A3L	STANDARD SPRING WASHER		2	
18	TC02581130008K	GUARD WELDMENT		1	
19	TB504.581E.2	ABSORB OIL FILTER ASSEMBLY		1	
20	TS04581070001K	OIL SUCTION RUBBER HOSE		1	
21	GBT5783-M6X25-8.8-A2L	HEXAGON BOLT		2	
22	TB504.581E.1	OIL PIPE CLAMP AND RUBBER WASHER		4	
23	GBT93-6-A3L	STANDARD SPRING WASHER		2	
24	GBT6170-M6-8-A2L	HEXAGON NUT, TYPE-1		2	

TC02582100000K MULTI-WAY VALVE OIL PIPE ASSEMBLY



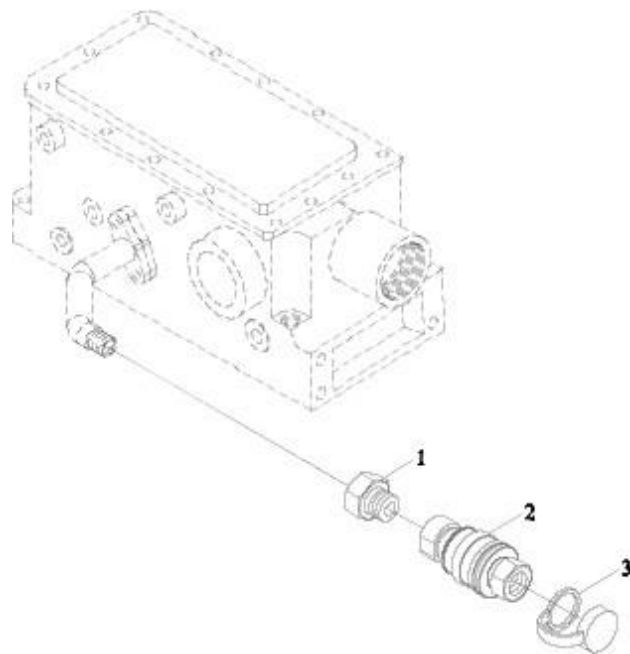
TC02582100000K MULTI-WAY VALVE OIL PIPE ASSEMBLY

No.	Part No.	Description	Version	QTY.	Remark
	TC02582100000K	MULTI-WAY VALVE OIL PIPE ASSEMBLY		1	
1	TG1654.583C-01	PIN SHAFT		2	
2	TS04582010058	MULTI-WAY VALVE CONTROL MECHANISM INSTALLATION ASSEMBLY		1	
3	GBT97.1-6-A0P	FLAT WASHER		2	
4	GBT91-2X14-A0P	SPLIT PIN		2	
5	TS04582010056	SOFT SHAFT MECHANISM ASSEMBLY		2	
6	TS04582010027	RUBBER RING		2	
7	GBT6170-M6-8-A2L	HEXAGON NUT, TYPE-1		3	
8	GBT93-6-A0P	STANDARD SPRING WASHER		3	
9	GBT5782-M6X60-8.8-A1L	HEXAGON BOLT		3	
10	TC04582140010	MULTI-WAY VALVE ASSEMBLY		1	
11	GBT5783-M10X16-8.8-A3L	HEXAGON BOLT		1	
12	TC04582140009	THROUGH JOINT		4	
13	FT354.58A.030	QUICK CHANGING JOINT		2	
14	TC02580010001K	QUICK CHANGING JOINT		2	
15	GBT93-10-A0P	STANDARD SPRING WASHER		1	
16	TC04582300012	OIL INLET RUBBLE HOSE		1	
17	GBT3452.1-20.0X2.65G	RUBBER O-SEAL RING		1	
18	TC04582300005	OIL INLET STEEL PIPE		1	
19	GBT93-8-A0P	STANDARD SPRING WASHER		6	
20	GBT5783-M8X35-8.8-A2L	HEXAGON BOLT		2	
21	TC04582300013	OIL RETURN RUBBER HOSE ASSEMBLY		1	
22	TC04582140012	CONNECTING JOINT M18-15		2	
23	TC04582300001	OIL INLET RUBBLE HOSE		1	
24	GBT5783-M8X16-8.8-A2L	HEXAGON BOLT		1	
25	TD924.582-01	PIPE CLAMP		2	
26	TS04582010025	HANDLE HEAD		2	
27	GBT5783-M8X20-8.8-A2L	HEXAGON BOLT		3	

TC02582100000K MULTI-WAY VALVE OIL PIPE ASSEMBLY (cont' d.)

No.	Part No.	Description	Version	QTY.	Remark
28	TC04582300011	CONNECTING JOINT M18-15		1	
29	Q67405200	PLASTIC FASTENING STRIP		1	

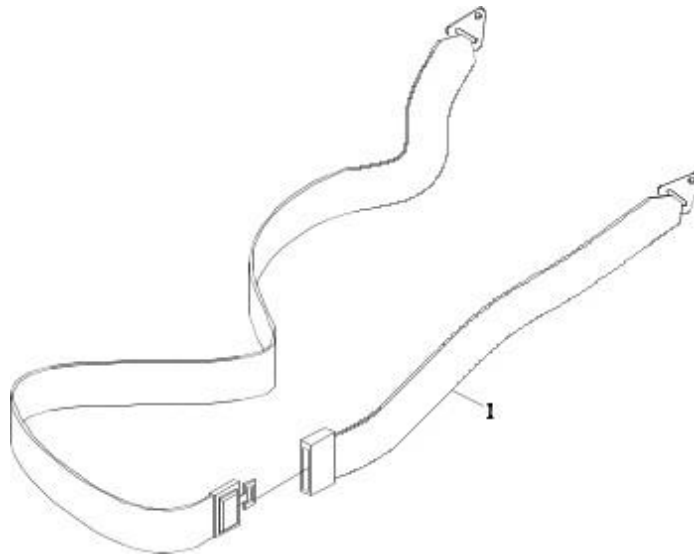
TB300. 583A SINGLE-WAY HYDRAULIC OUTPUT ASSEMBLY 2



TB300. 583A SINGLE-WAY HYDRAULIC OUTPUT ASSEMBLY 2

No.	Part No.	Description	Version	QTY.	Remark
	TB300.583A	SINGLE-WAY HYDRAULIC OUTPUT ASSEMBLY 2		1	
1	FT354.58A.104	BRITISH SYSTEM OIL PIPE JOINT		1	
2	FT354.58A.030	QUICK CHANGING JOINT		1	
3	FT354.58A.103	DUSTPROOF COVER		1	

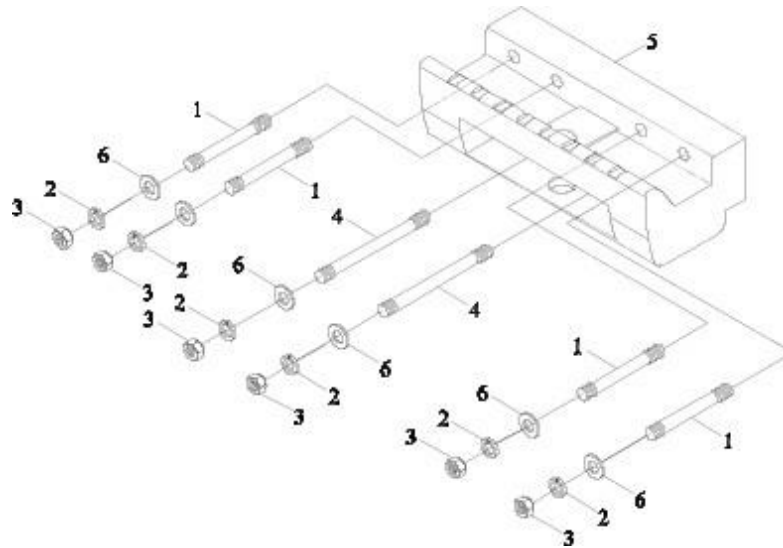
TC03620010000K SAFETY BELT INSTALLATION ASSEMBLY



TC03620010000K SAFETY BELT INSTALLATION ASSEMBLY

No.	Part No.	Description	Ver- sion	QTY.	Remark
1	TC03620010000K	SAFETY BELT INSTALLA- TION ASSEMBLY		1	

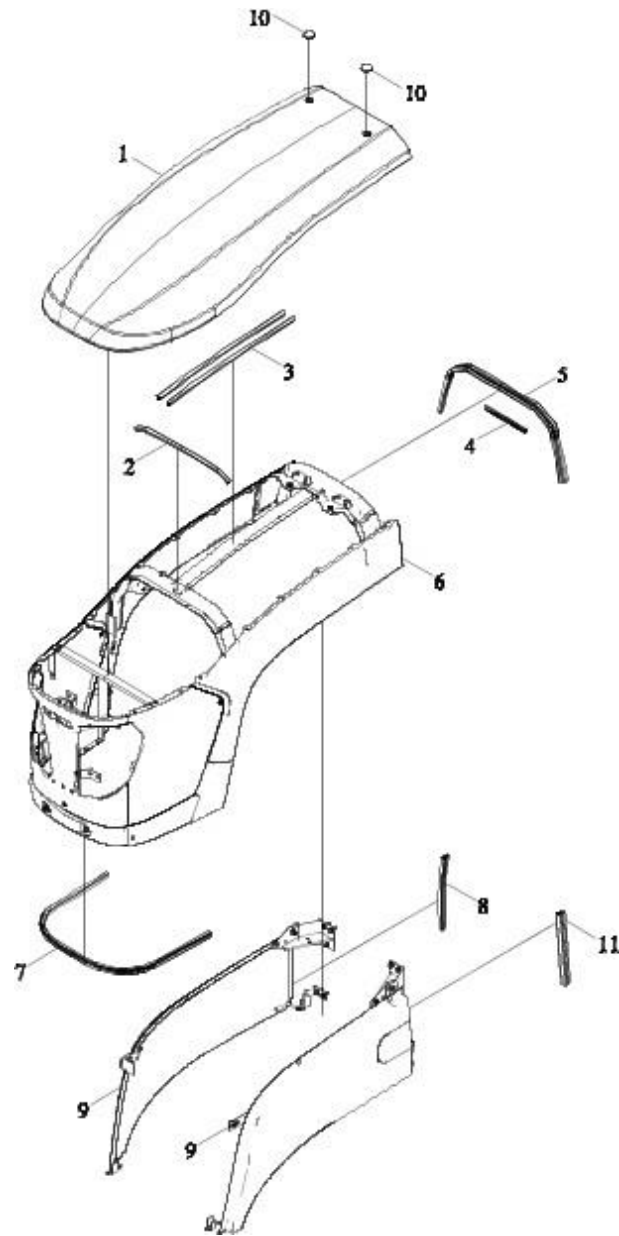
FT300. 74B. 001 FRONT BALLAST BRACKET ASSEMBLY



FT300.74B.001 FRONT BALLAST BRACKET ASSEMBLY

序号	零件图号	零件名称	版本	数量	备注
	FT300.74B.001	前配重架总成		1	
1	GBT899-AM16-M16X90-8.8-A3L	双头螺柱		4	
2	GBT93-16-A0P	标准型弹簧垫圈		6	
3	GBT6170-M16-8-A3L	1型六角螺母		6	
4	GBT899-AM16-M16X110-8.8-A3L	双头螺柱		2	
5	FT300.74B.101	前配重架		1	
6	GBT97.1-16-A0P	平垫圈		6	

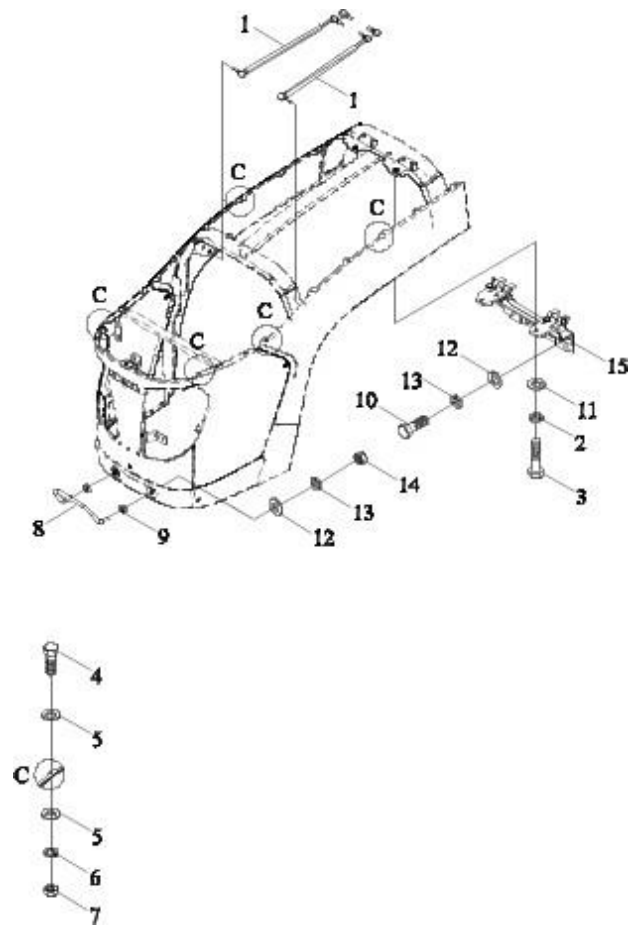
TS04471030000K BONNET ASSEMBLY-1



TS0447103000K BONNET ASSEMBLY-1

No.	Part No.	Description	Version	QTY.	Remark
	TS0447103000K	BONNET ASSEMBLY		1	
1	TS04471012001	BONNET UP COVER PLATE		1	
2	TS04471010007	FRONT SHOCK WASHER		1	
3	TS04471010004	MIDDLE SHOCK WASHER		2	
4	TS04471010008	BACK SHOCK RUBBER STRIP		1	
5	TS04471010001	BONNET REAR SEAL STRIP		1	
6	TS04471011000	BONNET WELDMENT ASSEMBLY		1	
7	TS04471010002	FRONT LOWER CUSHION RUBBER PIECE		1	
8	TS04471010009	SEAL STRIP		1	
9	TS04471030001K	LOWER SIDE PLATE		1	
10	TS06471010005	RUUBERPLUG		2	
11	TS04471010006K	LEFT BACK SEAL STRIP		1	

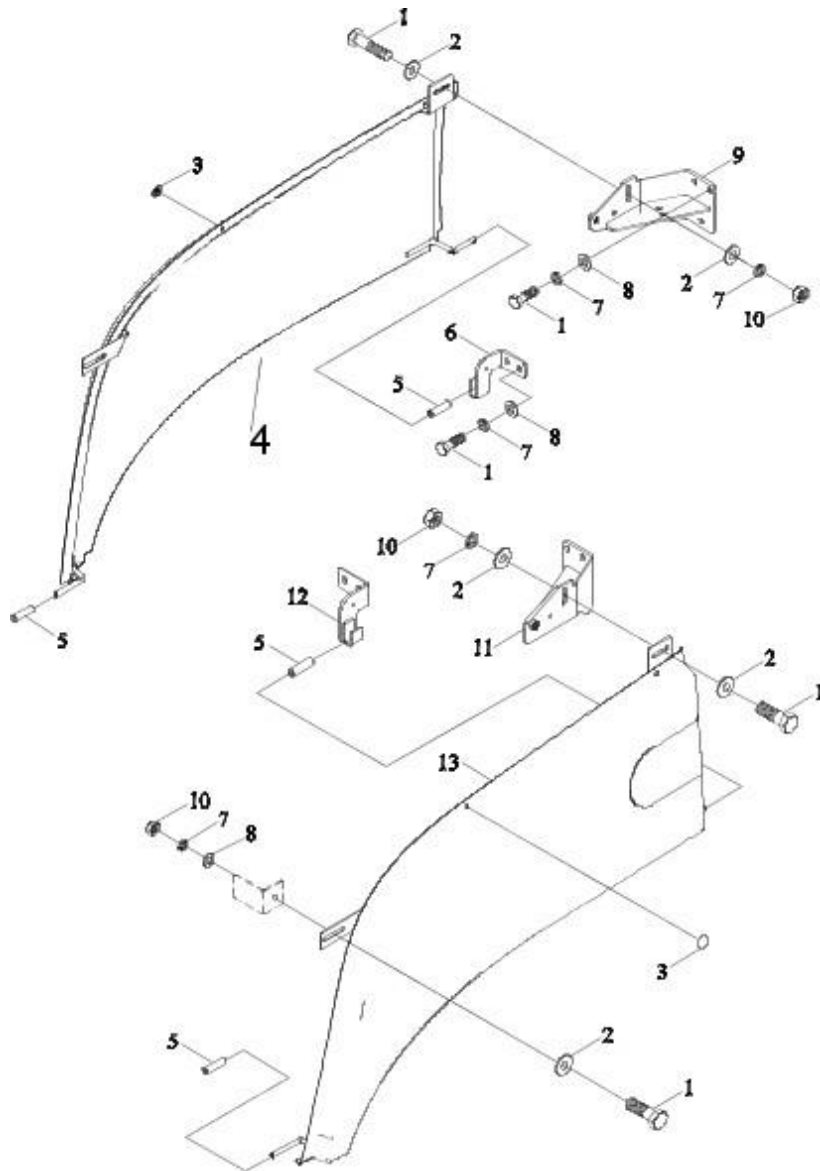
TS04471030000K BONNET ASSEMBLY-2



TS04471030000K BONNET ASSEMBLY-2

No.	Part No.	Description	Version	QTY.	Remark
	TS04471030000K	BONNET ASSEMBLY		1	
1	TS04471019000	BONNET PNEUMATIC SPRING ASSEMBLY		2	
2	GBT93-10-A3L	STANDARD SPRING WASHER		6	
3	GBT5783-M10X35-8.8-A3L	HEXAGON BOLT		6	
4	GBT5783-M6X16-8.8-A2L	HEXAGON BOLT		18	
5	GBT97.1-6-A3L	FLAT WASHER		36	
6	GBT93-6-A3L	STANDARD SPRING WASHER		18	
7	GBT6170-M6-8-A2L	HEXAGON NUT, TYPE-1		18	
8	TS04471010003	HANDLE		1	
9	TD800.471A-05	WASHER		2	
10	GBT5783-M12X35-8.8-A3L	HEXAGON BOLT		3	
11	GBT96.1-12-A3L	BIG WASHER		3	
12	GBT97.1-12-A3L	FLAT WASHER		2	
13	GBT93-12-A3L	STANDARD SPRING WASHER		5	
14	GBT6170-M12-8-A3L	HEXAGON NUT, TYPE-1		2	
15	TS04471013000	BONNET HINGE ASSEMBLY		1	

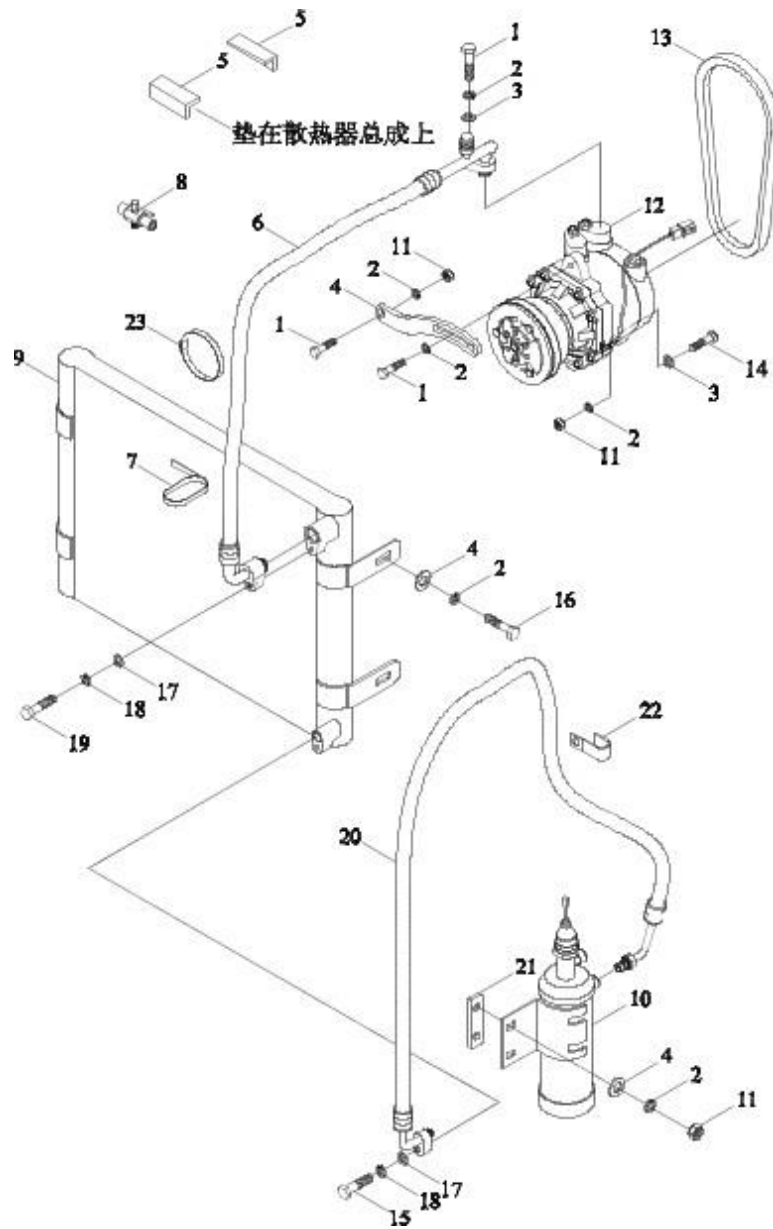
TS04471030000K BONNET ASSEMBLY-3



TS04471030000K BONNET ASSEMBLY-3

No.	Part No.	Description	Version	QTY.	Remark
	TS04471030000K	BONNET ASSEMBLY		1	
	TS04471030001K	LOWER SIDE PLATE		1	
1	GBT5783-M8X25-8.8-A2L	HEXAGON BOLT		14	
2	GBT96.1-8-A3L	BIG WASHER		6	
3	TS06471014003	PROCESS PLUG COVER		4	
4	TS04471014200	SIDE PLATE RIGHT LOWER		1	
5	TS06471014002	GUM COVER		4	
6	TS04471014004	FIXING SEAT WELDMENT RIGHT BACK LOWER		1	
7	GBT97.1-8-A3L	FLAT WASHER		12	
8	GBT93-8-A3L	STANDARD SPRING WASHER		14	
9	TS04471014003	FIXING SEAT WELDMENT RIGHT BACK UP		1	
10	GBT6170-M8-8-A2L	HEXAGON NUT, TYPE-1		4	
11	TS04471014001	FIXING SEAT WELDMENT LEFT BACK UP		1	
12	TS04471014002	FIXING SEAT WELDMENT LEFT BACK LOWER		1	
13	TS04471030002K	SIDE PLATE LEFT LOWER		1	

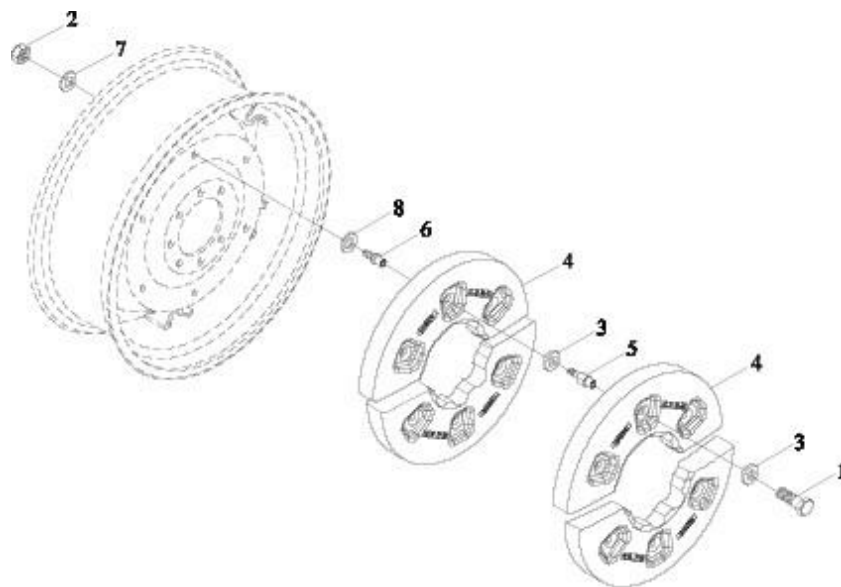
TS0481206000K AIR CONDITION ASSEMBLY-ENGINE



TS04812060000K AIR CONDITION ASSEMBLY-ENGINE

No.	Part No.	Description	Version	QTY.	Remark
	TS04812060000K	AIR CONDITION ASSEMBLY-ENGINE		1	
1	GBT5783-M8X30-8.8-A2L	HEXAGON BOLT		4	
2	GBT93-8-A3L	STANDARD SPRING WASHER		11	
3	GBT97.1-8-A3L	FLAT WASHER		6	
4	TS04812010008	ADJUSTING PLATE		1	
5	TS06812010005	GLUEPIECE		2	
6	TS04812060001K	CONDENSER-COMPRESSOR HIGH PRESSURE HOSE		1	
7	Q67407200	PLASTIC FASTENING STRIP		1	
8	TS04812010010	HEATER WATER INLET VALVE		1	
9	TS04812010001	CONDENSER ASSEMBLY		1	
10	TS04812010003	LIQUID TANK		1	
11	GBT6170-M8-8-A2L	HEXAGON NUT, TYPE-1		4	
12	TS04812010007	COMPRESSOR		1	
13	GBT1171-Z870	V-BELT		1	
14	GBT5783-M8X40-8.8-A2L	HEXAGON BOLT		1	
15	GBT5783-M6X25-8.8-A2L	HEXAGON BOLT		1	
16	GBT5783-M8X16-8.8-A2L	HEXAGON BOLT		4	
17	GBT97.1-6-A3L	FLAT WASHER		2	
18	GBT93-6-A3L	STANDARD SPRING WASHER		2	
19	GBT5783-M6X30-8.8-A2L	HEXAGON BOLT		1	
20	TS04812010004	CONDENSER-DRYING BOTTLE HIGH PRESSURE HOSE		1	
21	TS04812060002K	PAD BOARD		1	
22	FT304.48L.203	HARNESS TIGHTEN CLIP		1	
23	Q67407300	PLASTIC FASTENING STRIP		4	

FT600. 91. 001 REAR BALLAST ASSEMBLY



FT600. 91. 001 REAR BALLAST ASSEMBLY

No.	Part No.	Description	Version	QTY.	Remark
1	GBT5783-M16X40-8.8-A3L	HEXAGON BOLT		6	
2	GBT6170-M16-8-A3L	HEXAGON NUT, TYPE-1		6	
3	FT650.34.104	WASHER		12	
4	FT650.34.101	REAR BALLAST		4	
5	FT650.34.103	REAR BALLAST SCREW 2		6	
6	FT650.34.102	REAR BALLAST SCREW 1		6	
7	GBT97.1-16-A0P	FLAT WASHER		6	
8	GBT95-18-A0P	FLAT WASHER		6	



Professional supplier of Tractor and Implements

WEIFANG SINOVOL MACHINERY CO.,LTD

ADD:NO.222,SIPING ROAD,WEIFANG,261000,CHINA

[TEL:0086-18553692856](tel:0086-18553692856)

[HTTP:WWW.SINOVOL.COM](http://WWW.SINOVOL.COM)